

# READER WITHOUT LED

## CZ-0-S (xxx)



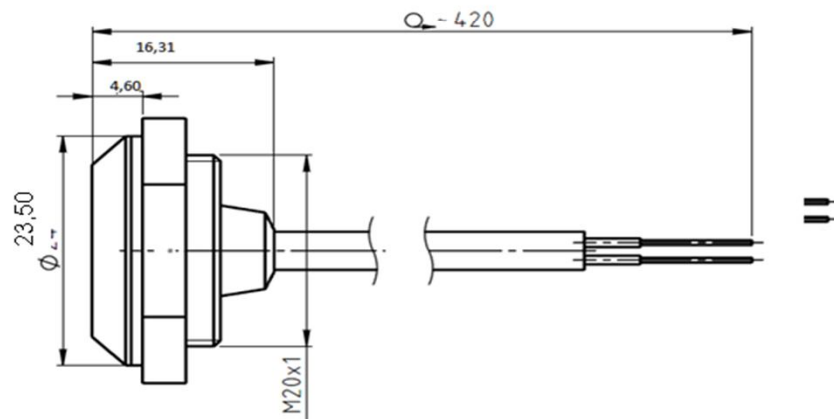
**All metal parts (except nuts) are chromium plated**

**Available chromium plated version and high grade**

**Stainless steel [1.4418]**

**Chromium plated version is not suitable for hard**

**environmental conditions (we suggest using stainless steel readers))**



### Technical data for chromium plated version.

The reader is designed to work with Maxim Dallas chips series DS19xx

1.Wires :	White – 1 wire signal Brown - GND
2.Application	Access control device
3.Casing	Chromium plated steel
4.Ring material	Ferrite steel + Cu + Ni + Cr <sup>+3</sup>
5.Signal joint material	Brass + Ni +Cr <sup>+3</sup>
6.Wire	2*0,25mm <sup>2</sup> (technokabel)
7.Fastening method	M20x1 screw
8.Work environment	Residential, commercial and lightly industrial
9.Working temperature	From -40 °C to +85 °C
10.Humidity	Up to 70%