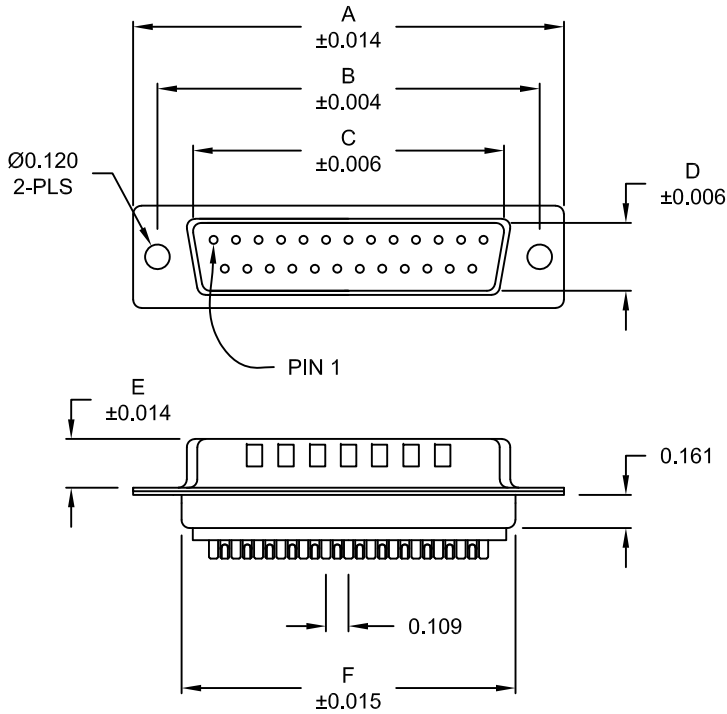
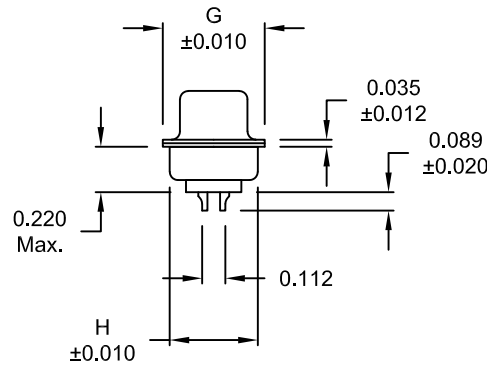


DESCRIPTION: MALE - SOLDER CUP - MACHINED - ECONOMY



WILL ACCEPT
26-20 AWG WIRE

No. OF PINS	DIMENSIONS							
	A	B	C	D	E	F	G	H
9	1.213	0.984	0.666	0.329	0.236	0.756	0.496	0.427
	30.80	24.99	16.92	8.36	5.99	19.20	12.60	10.85
15	1.541	1.312	0.994	0.329	0.236	1.091	0.496	0.427
	39.15	33.32	25.25	8.36	5.99	27.70	12.60	10.85
25	2.087	1.852	1.534	0.329	0.236	1.618	0.496	0.427
	53.00	47.04	38.96	8.36	5.99	41.10	12.60	10.85



772-EYY-1 0 Y R YY 1

SERIES _____
 POSITIONS _____
 E09 _____
 E15 _____
 E25 _____
 GENDER _____
 1 = MALE _____
 TERMINATION _____
 0 = SOLDER CUP _____
 SHELL PLATING _____
 2 = TIN (GROUND INDENTS) _____
 3 = NICKEL (GROUND INDENTS) _____
 RoHS COMPLIANT _____
 HARDWARE OPTIONS _____
 00 = NO HARDWARE _____
 01 = 0.098" 4-40 INSERT, BOARD SIDE _____
 PLATING OPTIONS _____
 1 = GOLD FLASH _____

MATERIAL:

SHELL: STEEL, NICKEL OR TIN PLATED
 INSULATOR: UL 94V-O RATED PA6T
 PROCESS TEMP.: 260°C
 CONTACT: BRASS
 SEALING MATERIAL: F08 FLEXABLE ADHESIVE

ELECTRICAL:

CURRENT RATING: 5 AMPS
 CONTACT RESISTANCE: 15 mOhms Max.
 INSULATION RESISTANCE: 1,000 MOhms min.
 VOLTAGE: 500VAC FOR 1 MINUTE
 TEMPERATURE: -50° C TO 100° C

MEETS IP67 STANDARDS

(SEE PAGE 2 FOR SEALING DETAILS)

DO NOT SCALE FROM DRAWING



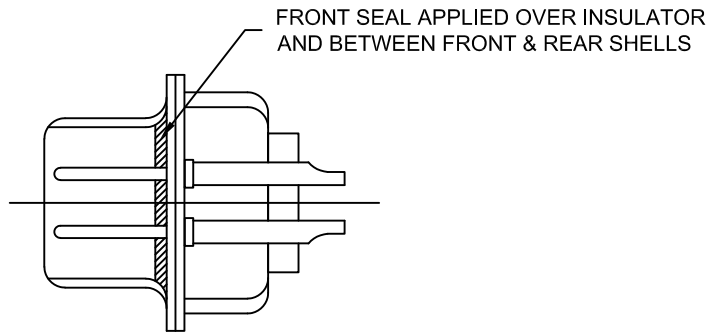
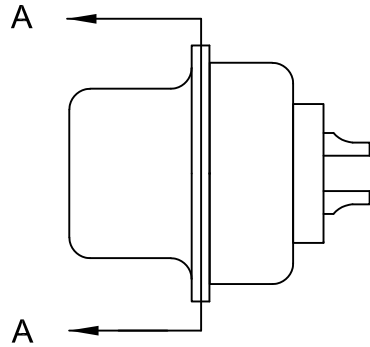
THESE DRAWINGS AND SPECIFICATIONS ARE THE PROPERTY OF NorComp AND SHALL NOT BE REPRODUCED, COPIED OR USED AS THE BASIS FOR THE MANUFACTURE OR SALE OF APPARATUS WITHOUT WRITTEN PERMISSION.

DRAWN: C. SMITH		DATE: 03-26-09	
SCALE: NTS	SHEET 1	OF 2	REV 5
DWG NO. 772-EYY-10YRYY1			

RoHS COMPLIANT

NorComp

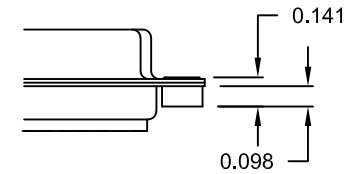
DESCRIPTION: IP67 - MALE - SOLDER CUP - MACHINED - ECONOMY - SEALING PROCESS



DETAIL A-A

HARDWARE OPTION

01X 0.098" (BOARD SIDE) - CN1



DO NOT SCALE FROM DRAWING



THESE DRAWINGS AND SPECIFICATIONS ARE THE PROPERTY OF NorComp AND SHALL NOT BE REPRODUCED, COPIED OR USED AS THE BASIS FOR THE MANUFACTURE OR SALE OF APPARATUS WITHOUT WRITTEN PERMISSION.

DRAWN: C. SMITH		DATE: 03-26-09	
SCALE: NTS	SHEET 2	OF 2	REV 5
DWG NO. 772-EYY-10YRY1			

NorComp