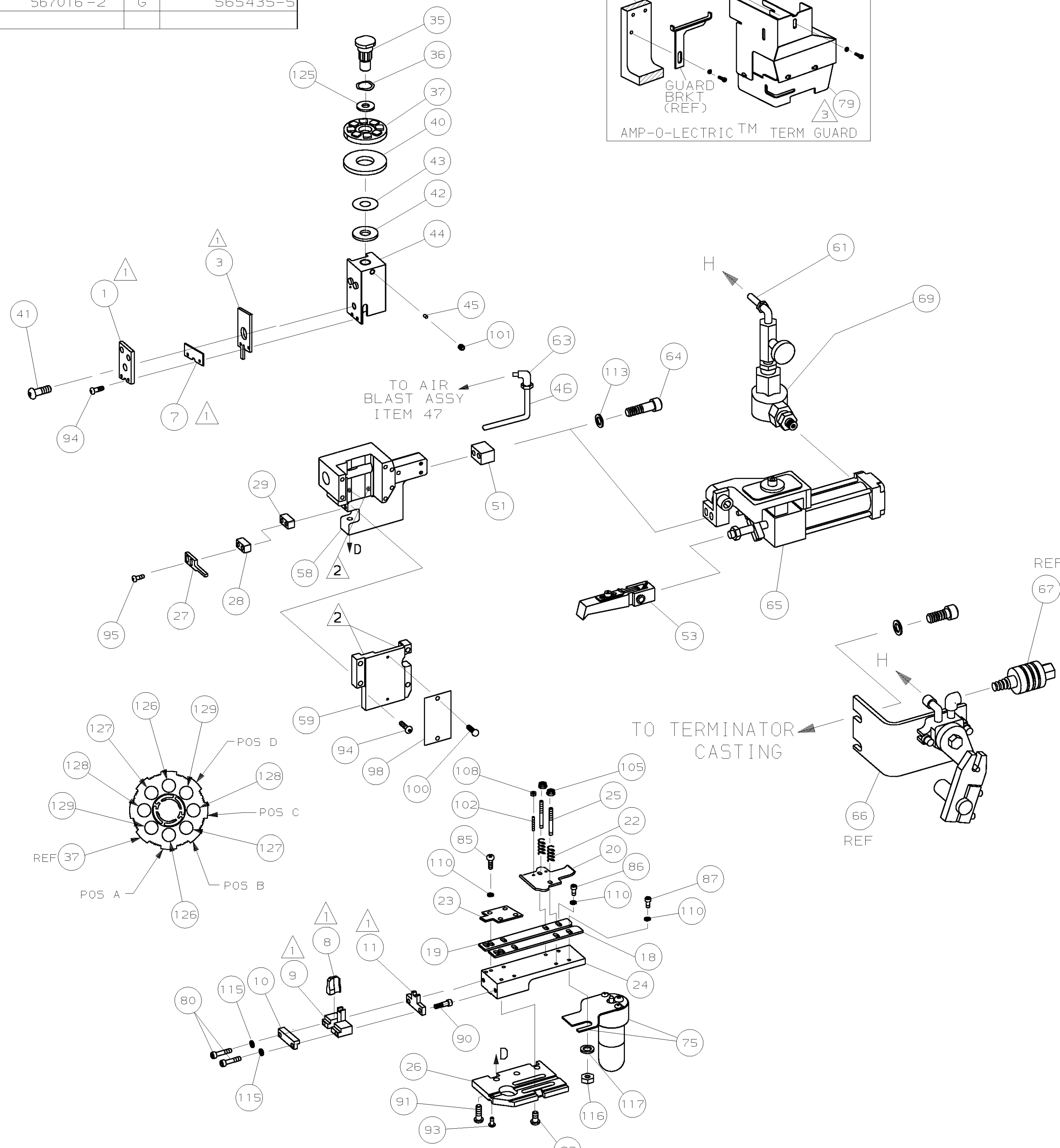
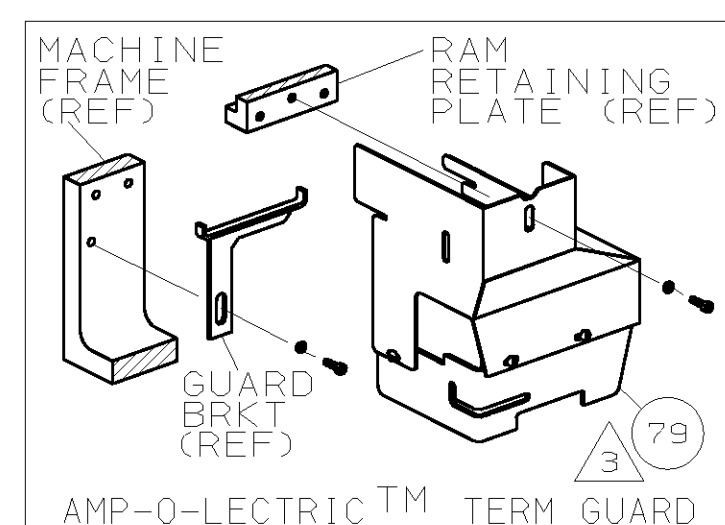


PART NUMBER	REV	FIRST USED
567016-1	D	565435-5
567016-2	G	565435-5

SUPERSEDED BY -2



- 1 RECOMMENDED SPARE PARTS.
- 2 GREASE LIGHTLY.
- 3 GUARD MUST BE IN PLACE WHEN OPERATING APPLICATOR IN A BENCH MACHINE.
- 4 SEE DRAWING FOR COMPONENTS
- 5 RECOMMENDED SET UP WIRE
 6200-7000 CMA; (1) 16 MAGNET
 (1) 14 AWG
 5200-6000 CMA; (2) 16 AWG
 4000-5000 CMA; (1) 17 MAGNET
 (1) 16 AWG
 3000-3800 CMA; (2) 18 MAGNET

6. THIS APPLICATOR WILL NOT RUN IN A G OR T TERMINATING UNIT.

TERMINAL NAME: AMPLIVAR SPLICE		62308	
TERM	APPL SPEC	114-02002	

CRIMPING DATA			
PAD LTR	CRIMP HEIGHT	WIRE SIZE	
A	.089 ±.002	6200-7000 CMA	
B	.084 ±.002	5200-6000 CMA	
C	.079 ±.002	4000-5000 CMA	
D	.074 ±.002	3000-3800 CMA	
CRIMP	SIZE	TYPE	RANGE
WIRE	.140	F	3000-7000 CMA
INSUL	-	-	-
FEED	APPL INST	SET UP GAGE	LAYOUT
.345	408-8039	458638-1	-
WIRE STRIP LENGTH		-	

QTY	REV	U/M	DWG SIZE	PART NO	DESCRIPTION	ITEM NO
2	-	C		8-354778-3	PIN, WIRE DISC (.2910)D	129
2	-	C		7-354778-3	PIN, WIRE DISC (.2860)C	128
2	-	C		6-354778-1	PIN, WIRE DISC (.2800)B	127
2	-	C		5-354778-1	PIN, WIRE DISC (.2750)A	126
1	-	A		986950-1	WASHER, FLAT PRECISION	125
						124
						123
						122
						121
						120
						119
						118
1	-	A		21055-6	WASHER, FLAT (#6) LUB	117
1	-	A		21018-6	NUT, HEX (8-32) LUBE	116
2	-	A		22260-5	WASHER, FLAT (#6) RET PLATE	115
						114
4	-	A		21024-5	WASHER, LOCK (NO. 10) SHEAR PL	113
						112
						111
6	-	A		21024-4	WASHER, LOCK (NO. 8) SHEAR BL	110
						109
2	-	A		21018-4	NUT, HEX (4-40) DRAG	108
						107
						106
2	-	A		21022-2	NUT, HEX 5L (8-32) DRAG STUD	105
						104
						103
2	-	A		4-21078-8	SKT SKT SET (4-40x.75) DRAG	102
1	-	A		21009-2	SCR, SKT SET (1/4-20x.25) RAM	101
2	-	A		21017-2	SCR, DRIVE (#2x.19) ID PLATE	100
						99
1	-	B		464249-1	PLATE, IDENTIFICATION	98
						97
						96
4	-	A		3-21000-1	SCR, SHC (8-32x1.00) STRIPPER	95
6	-	A		2-21002-9	SCR, BHC (10-32x.75) CAP	94
2	-	A		2-22733-0	SCR, SHC (10-32x.38) ANVIL	93
4	-	A		3-21002-3	SCR, BHC (1/4-20x.50) ST 6D PL	92
3	-	A		2-22733-8	SCR, BHC (1/4-20x.62) H5G	91
2	-	A		1-21002-6	SCR, BHC (6-32x.25) PLATE GUIDE	90
						89
						88
1	-	A		2-21000-9	SCR, SHC (8-32x.75) STRIP GUIDE	87
1	-	A		2-21000-6	SCR, SHC (8-32x.38) STRIP GUIDE	86
4	-	A		2-21002-2	SCR, BHC (8-32x.50) STRIP GUIDE	85
						84
						83
						82
						81
2	-	A		1-21000-9	SCR, SHC (6-32x.88) 5H PL	80
1	-	A		460980-2	GUARD ASSY	79
						78
						77
						76
1	-	C		1-465184-7	LUBRICATOR ASSEMBLY	75
						74
						73
						72
						71

QTY	REV	U/M	DWG SIZE	PART NO	DESCRIPTION	ITEM NO
-2	-1	U/M				

QTY	REV	U/M	DWG SIZE	PART NO	DESCRIPTION	ITEM NO
1	-	C		692655-1	AIR FEED VALVE ASSY	70
						69
						68
REF	-	A		24042-2	VALVE, SHUT OFF	67
REF	-	C		692655-6	AIR FEED VALVE ASSY	66
1	-	B		460277-1	AIR FEED ASSY	65
2	-	A		4-21000-3	SCR, SHC 10-32X2.00 AIR ASSY	64
1	-	A		22317-3	ELBOW, TUBING 1/8NPT - 1/4 T	63
						62
12.00		IN	A	27319-4	TUBING, POLY-FLO Ø.25	61
						60
1	-	C		462926-1	CAP, RAM	59
1	-	D		453736-1	HOUSING	58
						57
						56
						55
						54
1	-	B		460680-7	FEED FINGER ASSY	53
						52
1	-	B		461690-1	SPACER, AIR FEED	51
						50
						49
						48
1	-	A		455350-1	AIR BLAST ASSEMBLY	47
1	-	A		689446-2	TUBE, AIR BLAST	46
1	-	A		690191-1	PLUG, NYLON	45
1	-	C		459586-1	RAM	44
1	-	A		690125-1	WASHER, LAMINATED	43
1	-	A		690124-4	WASHER, RAM	42
1	-	A		7-21002-9	BOLT, CRIMPER (5/16-24x1.00)	41
1	-	A		690223-1	SPACER, DISC	40
						39
						38
1	-	D		354777-1	WIRE DISC, PLASTIC	37
1	-	A		22480-5	WASHER, SPRING	36
1	-	B		690212-1	POST, RAM	35
						34
						33
						32
						31
						30
1	-	B		1-690451-8	SPACER, STRIPPER	29
1	-	B		3-690451-5	SPACER, STRIPPER	28
1	-	A		460276-1	STRIPPER	27
1	-	D		459584-1	PLATE, BASE	26
2	-	A		22354-7	DRAG, STUD	25
1	-	B		462931-1	PLATE, STRIP GUIDE	24
1	-	C		462932-1	PLATE, STRIP HOLD DOWN	23
2	-	A		3-22281-8	SPRING, DRAG	22
						21
1	-	A		462925-1	DRAG, STOCK	20
1	-	B		462929-1	GUIDE, STRIP (REAR)	19
1	-	C		462930-1	GUIDE, STRIP (FRONT)	18
						17
						16
						15
						14
						13
						12
1	-	B		459684-4	PLATE, REAR SHEAR	11
1	-	C		459580-1	SPACER, SHEAR PLATE	10
1	-	B		1-459583-4	BODY ANVIL	9
1	-	D		459582-8	ANVIL	8
1	-	B		459581-8	BLADE, SLUG	7
						6
						5
						4
						3
1	-	C		459587-1	GUIDE, CRIMPER	2
						1
1	-	C		2-459585-1	CRIMPER, WIRE	1

QTY	REV	U/M	DWG SIZE	PART NO	DESCRIPTION	ITEM NO
-2	-1	U/M				

THIS DRAWING IS UNRELEASED. RELEASE FOR PUBLICATION BY AMP INCORPORATED. ALL RIGHTS RESERVED. AUGUST 30, 2001

LOC A
 DIST 66
 COPYRIGHT 2001

DIMENSIONS IN INCHES. DO NOT SCALE PRINT. TOLERANCES UNLESS OTHERWISE SPECIFIED:
 2 PLC DEC ±.25
 3 PLC DEC ±.125
 4 PLC DEC ±.0625
 ANGLES ±.005
 SURF TEXTURE: ✓
 REMOVE BURRS, BREAK SHARP EDGES R.015 MAX

MATL - HT TR - FIN -
 DR D.SALTZER 8/1/94 APP T.BEDDICK 8-1-94
 CHK 8-1-94 REL 9/20/94
 C.ERISMAN B. MORGAN
AMP AMP Incorporated Harrisburg, PA 17105-3608
 NAME END FEED HDM APPLICATOR MACHINE REF MINI APPL
 SCALE - DWG NO 567016 SHEET 1 OF 1 REV G
 CASE CODE 00779 CUSTOMER AND ASSEMBLY DRAWING 1 RESTRICTED TO