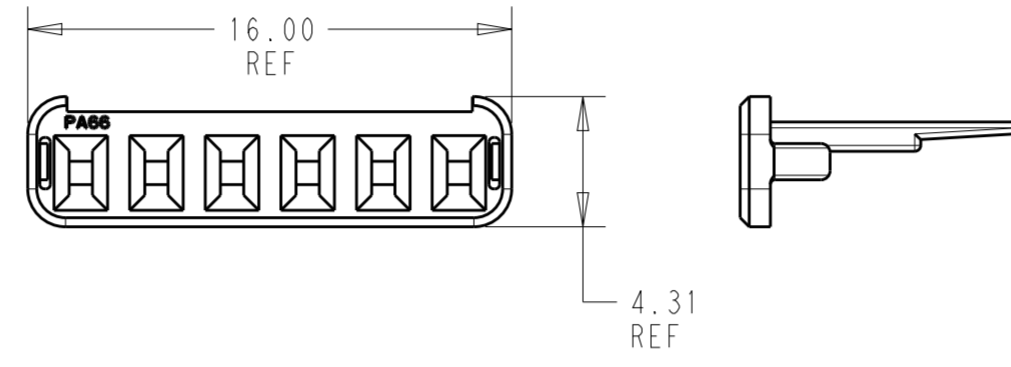
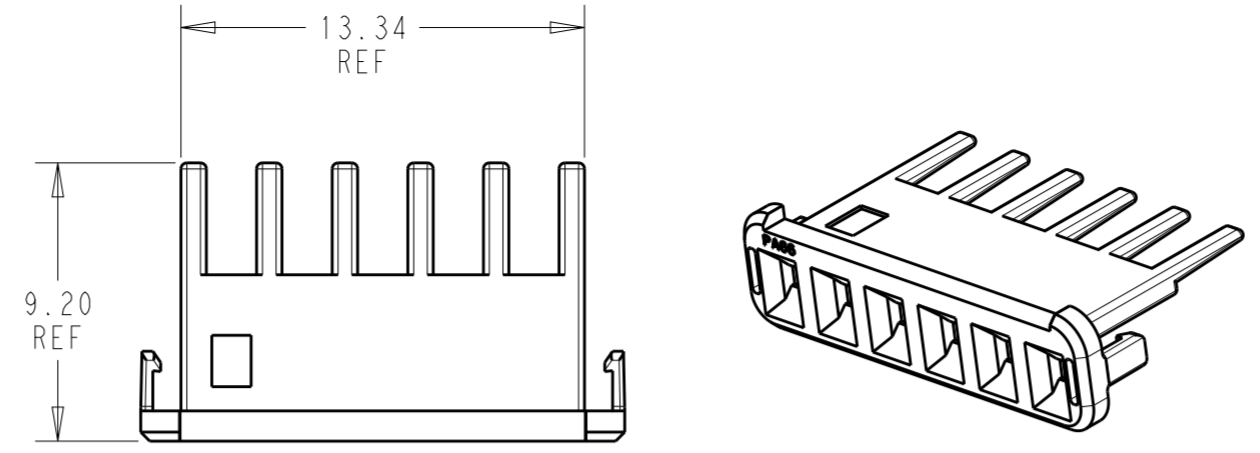
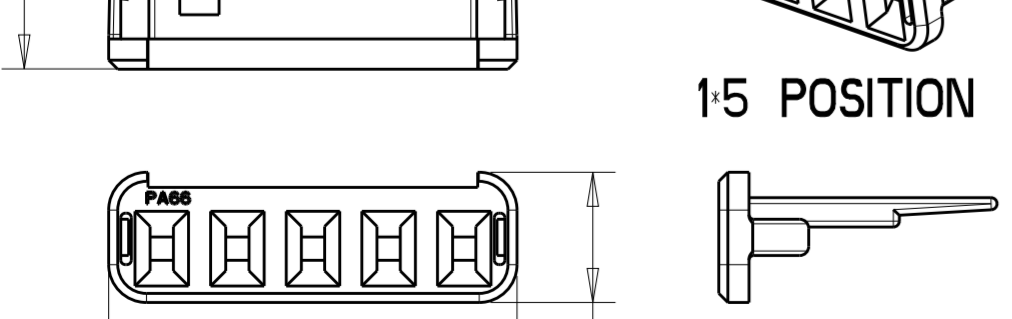
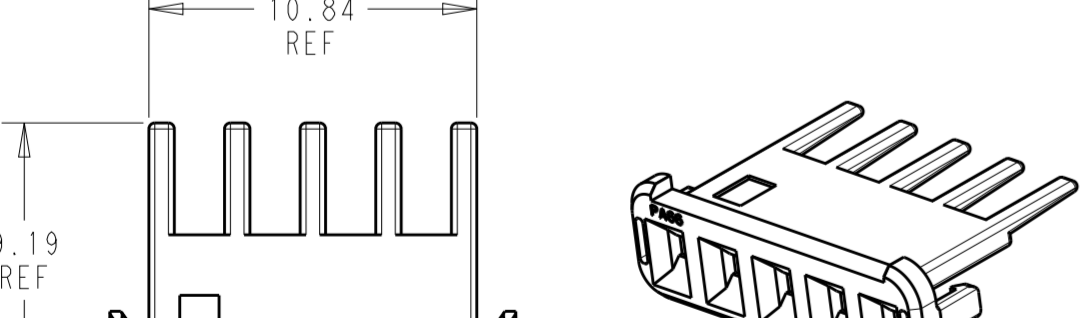
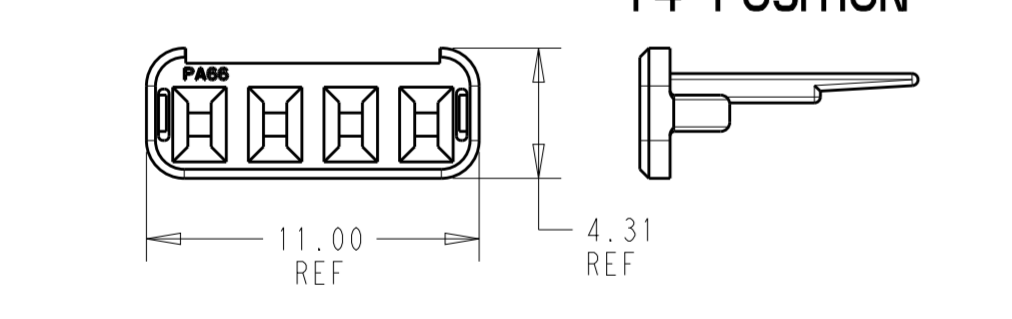
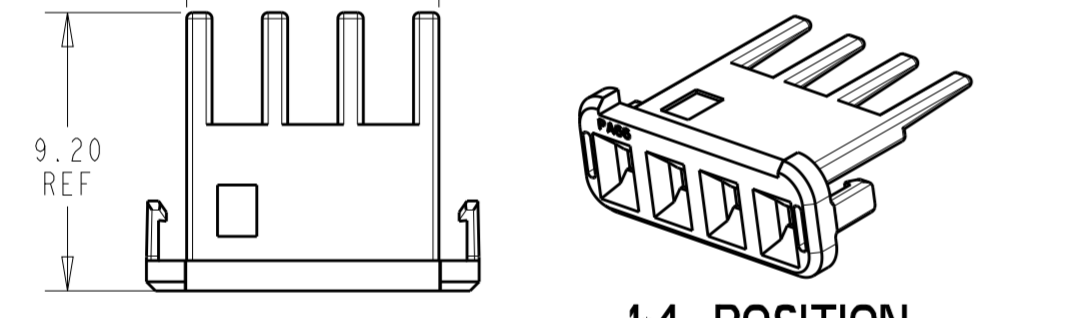
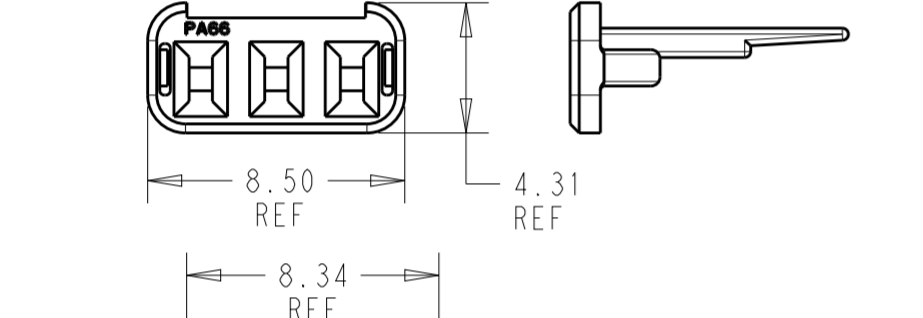
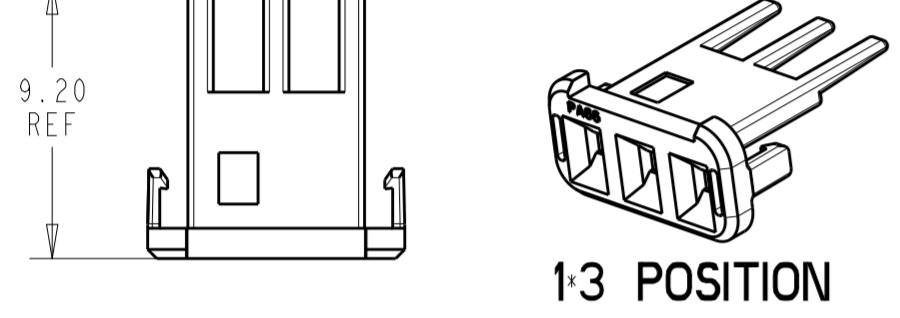
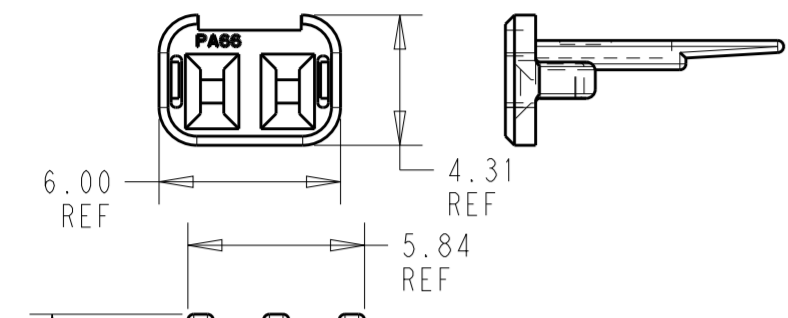
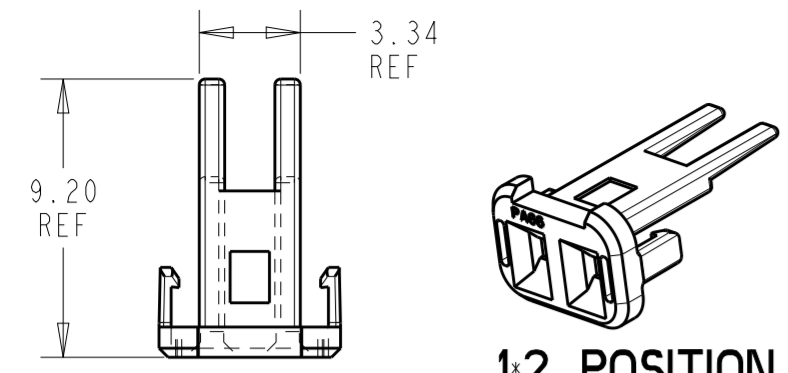


REVISIONS				
P	LTR	DESCRIPTION	DATE	APVD
A		RELEASED PER ECO-20-000545	13JAN2020	BKW SF



- 1. MATERIAL: NYLON
COLOR: BLACK
- 2. MATING CONNECTOR P/N'S:
PLUG HSG: 2321916-*/*-2329540-*

1*6	2321919-6
1*5	2321919-5
1*4	2321919-4
1*3	2321919-3
1*2	2321919-2
POSITION	PART NUMBER

THIS DRAWING IS A CONTROLLED DOCUMENT.

DIMENSIONS:	TOLERANCES UNLESS OTHERWISE SPECIFIED:	DWN	05FEB2019	 TE Connectivity
mm	0 PLC ±	CHK	05FEB2019	
	1 PLC ±	APVD	05FEB2019	
	2 PLC ±	PRODUCT SPEC		
	3 PLC ±	APPLICATION SPEC		NAME
	4 PLC ±	WEIGHT		FRONT TPA, PLUG, SDL 2.5 WATERPROOF
MATERIAL	ANGLES ±	CUSTOMER DRAWING		SIZE
	FINISH -	SCALE	4:1	CAGE CODE
		SHEET	1	DRAWING NO
		OF	1	RESTRICTED TO
		REV	A	