

13 12 11 10 9 8 7 6 5 4 3 2 1

MATERIAL NUMBER

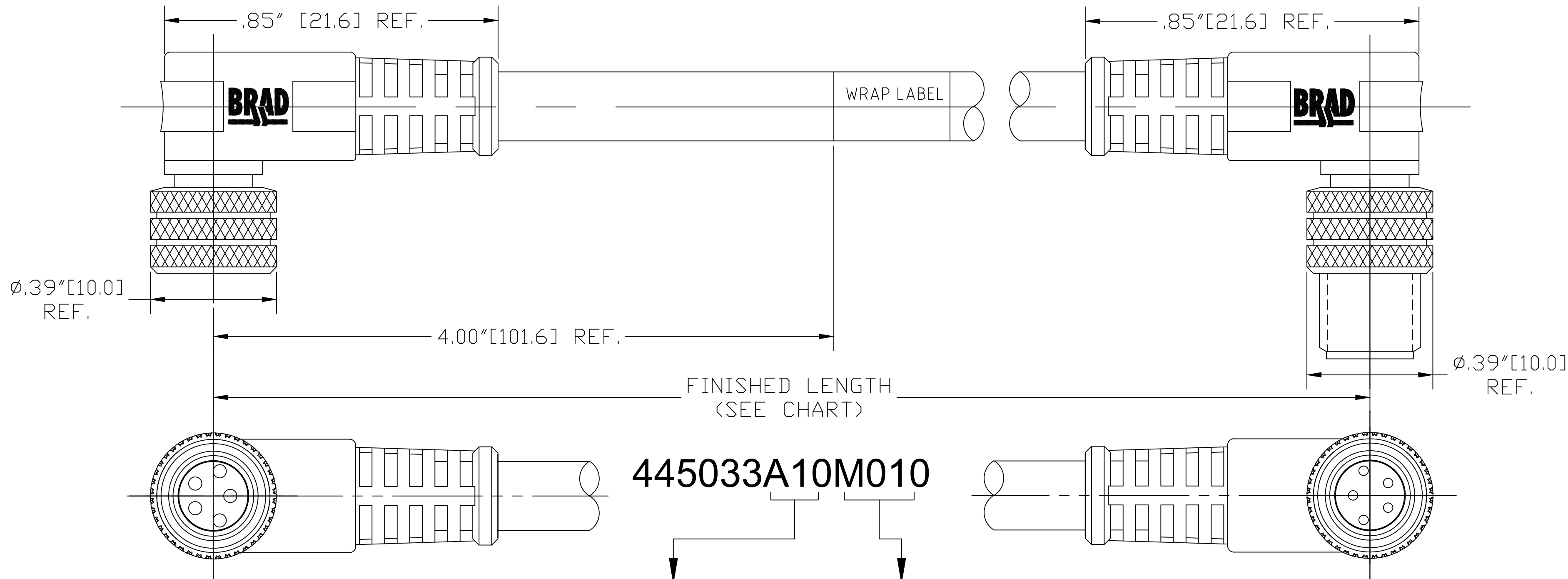
OLD PART NUMBER

FINISHED LENGTH

120087-0117

445033A10M010

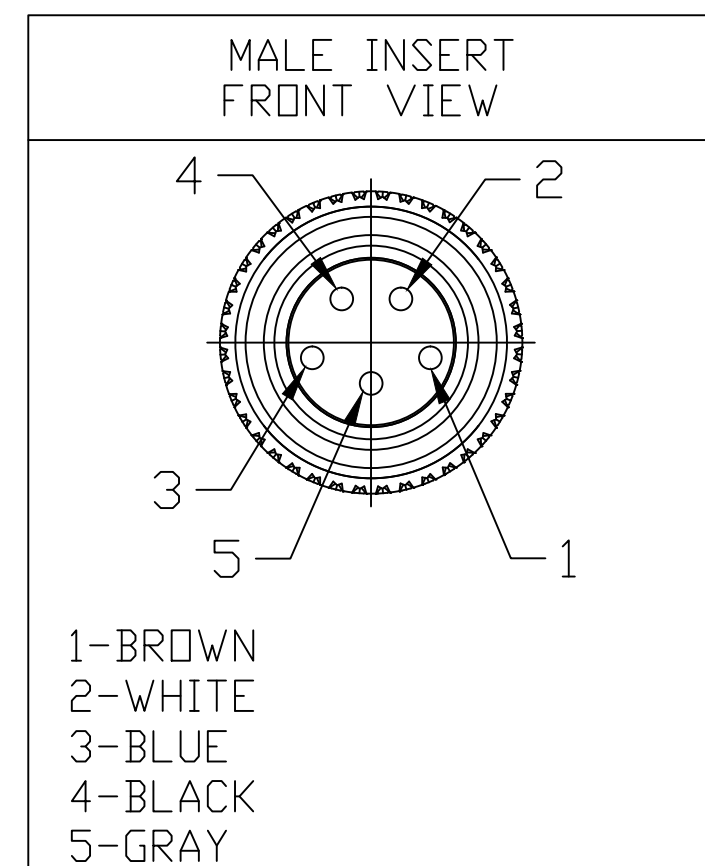
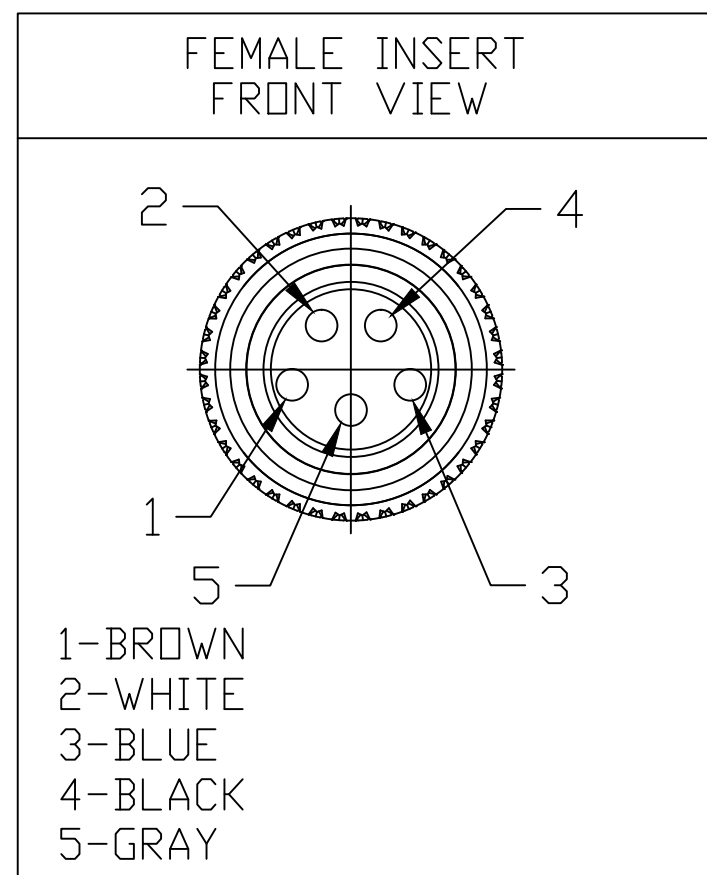
3.28' +2.19" -0 [1.0M +55.6mm -0]



Wire type
24/5 AWG
Yellow PVC

cable length
M020----2 Meter
M100----10 Meter

CONTACT:	GOLD/NICKEL OVER COPPER ALLOY
INSERT:	PUR, BLACK
COUPLING NUT:	NICKEL PLATED BRASS
MOLDED BODY:	RITFLEX, YELLOW
VOLTAGE RATING:	60 VAC/75 VDC
AMPERAGE RATING:	3 AMPS
PROTECTION:	IP67
OPERATING TEMPERATURE:	-20°C TO 105°C
CERTIFICATIONS:	UL LISTED, FILE NO. E152210; CSA CERTIFIED, FILE NO. LR6837



1	BROWN	1
2	WHITE	2
3	BLUE	3
4	BLACK	4
5	GRAY	5

WIRING DIAGRAM

INITIAL RELEASE
EC NO.: IPG2013-1910
DRWN: EBRACKEN 2013/06/24
CHKD: RSTONE
APPR: BWOODMAN 2013/08/14

QUALITY SYMBOL
▽=0
∇=0

GENERAL TOLERANCES (UNLESS SPECIFIED)	
	mm
4 PLACES	±---
3 PLACES	±---
2 PLACES	±0.13
1 PLACE	±0.25
ANGULAR ±.5°	
DRAFT WHERE APPLICABLE MUST REMAIN WITHIN DIMENSIONS	

DIMENSION STYLE	
IN/MM	
DRAWN BY	DATE
EBRACKEN	2013/06/18
CHECKED BY	DATE
RSTONE	----
APPROVED BY	DATE
BWOODMAN	2013/08/14
MATERIAL NO.	SEE CHART
SIZE	C

SCALE	DESIGN UNITS	THIRD ANGLE PROJECTION
---	METRIC	
TITLE		
NANO-CHANGE ASSEMBLY 5 POLE M/MFE 90/90 #24-5 YELLOW PVC CABLE		
MOLEX INCORPORATED		
DOCUMENT NO.	SHEET NO.	
SD-120087-051	1 OF 1	
THIS DRAWING CONTAINS INFORMATION THAT IS PROPRIETARY TO MOLEX INCORPORATED AND SHOULD NOT BE USED WITHOUT WRITTEN PERMISSION		

13 12 11 10 9 8 7 6 5 4 3 2 1