

SACB-PT-H180- 8/3-M8 HD - Connector hood



1197657

<https://www.phoenixcontact.com/us/products/1197657>

Please be informed that the data shown in this PDF document is generated from our Online Catalog. Please find the complete data in the user documentation. Our General Terms of Use for Downloads are valid.



Connector hood, application: Standard, connection method: M8 socket Metal, number of slots: 8, number of positions: 3, slot assignment: single, status display: No, Universal; master cable connection: Plug-in push-in spring-cage connection 180°, shielding: no

Your advantages

- Flexible, distributed bundling of signals in one master cable

Commercial Data

Item number	1197657
Packing unit	1 pc
Minimum order quantity	1 pc
Sales Key	BF40
Product Key	BF3BCG
GTIN	4063151256876
Weight per Piece (including packing)	72.04 g
Weight per Piece (excluding packing)	72.04 g
Customs tariff number	85444290
Country of origin	DE

SACB-PT-H180- 8/3-M8 HD - Connector hood



1197657

<https://www.phoenixcontact.com/us/products/1197657>

Technical Data

Notes

General	NOTE: Observe the permissible bending radii when laying conductors, since the degree of protection may be put in jeopardy if the bending forces are too high. Alleviate mechanical loads upstream of the connector, e.g. by using cable ties.
---------	--

Product properties

Product type	Connector hood without master cable
Number of positions	3
Application	Standard
Number of slots	8

Electrical properties

Max. operating voltage U_{max}	30 V DC
Nominal voltage U_N	24 V DC
Rated current, total	8 A
Max. current carrying capacity per path	2 A
Current carrying capacity per slot	2 A

Connection data

Conductor connection

Connection method	Plug-in push-in spring-cage connection
Stripping length	10 mm
Conductor cross section flexible	0.2 mm ²
Cross section AWG	241.5 mm ²
Conductor cross section flexible	0.2 mm ²
Cross section AWG	2416
Tightening torque, cover screw	1 Nm

Pin assignment

Slot/position = Wire color or connection	1 / 4 (A) = 1 / 4
	2 / 4 (A) = 2 / 4
	3 / 4 (A) = 3 / 4
	4 / 4 (A) = 4 / 4
	5 / 4 (A) = 5 / 4
	6 / 4 (A) = 6 / 4
	7 / 4 (A) = 7 / 4
	8 / 4 (A) = 8 / 4
	1-8 / 1 (+ 24 V) = U_N
	1-8 / 3 (0 V) = 0 V

Signaling

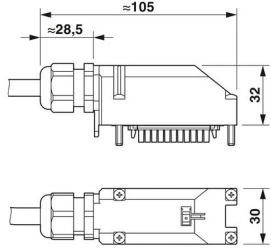
SACB-PT-H180- 8/3-M8 HD - Connector hood

1197657

<https://www.phoenixcontact.com/us/products/1197657>

Status display present	No
------------------------	----

Dimensions

Dimensional drawing	
Wrench size, union nut	24 mm
Wrench size, counter nut	24 mm

Material specifications

Color	black
Material Housing	PBT
Material Cable gland	PA 6
Seal material	CR/NBR
Material of contact, master cable side	CU alloy
Material of the contact carrier on the master cable side	PA
Material of contact surface, master cable side	tin-plated

Cable/line

Sensor/actuator connection system	M8 socket
Connection method	Plug-in push-in spring-cage connection
Metric conductor cross section (Signal)	0.2 mm ² ... 1.5 mm ²
Cross section AWG (Signal)	24 ... 16
Stripping length (signal)	10 mm
Metric conductor cross section (Power)	0.2 mm ² ... 1.5 mm ²
Cross section AWG (Power)	24 ... 16
Stripping length for sheath	70 mm (Master cable)
Tightening torque, cover screw	1 Nm

Environmental and real-life conditions

Ambient conditions

Degree of protection	IP67
Ambient temperature (operation)	-25 °C ... 80 °C

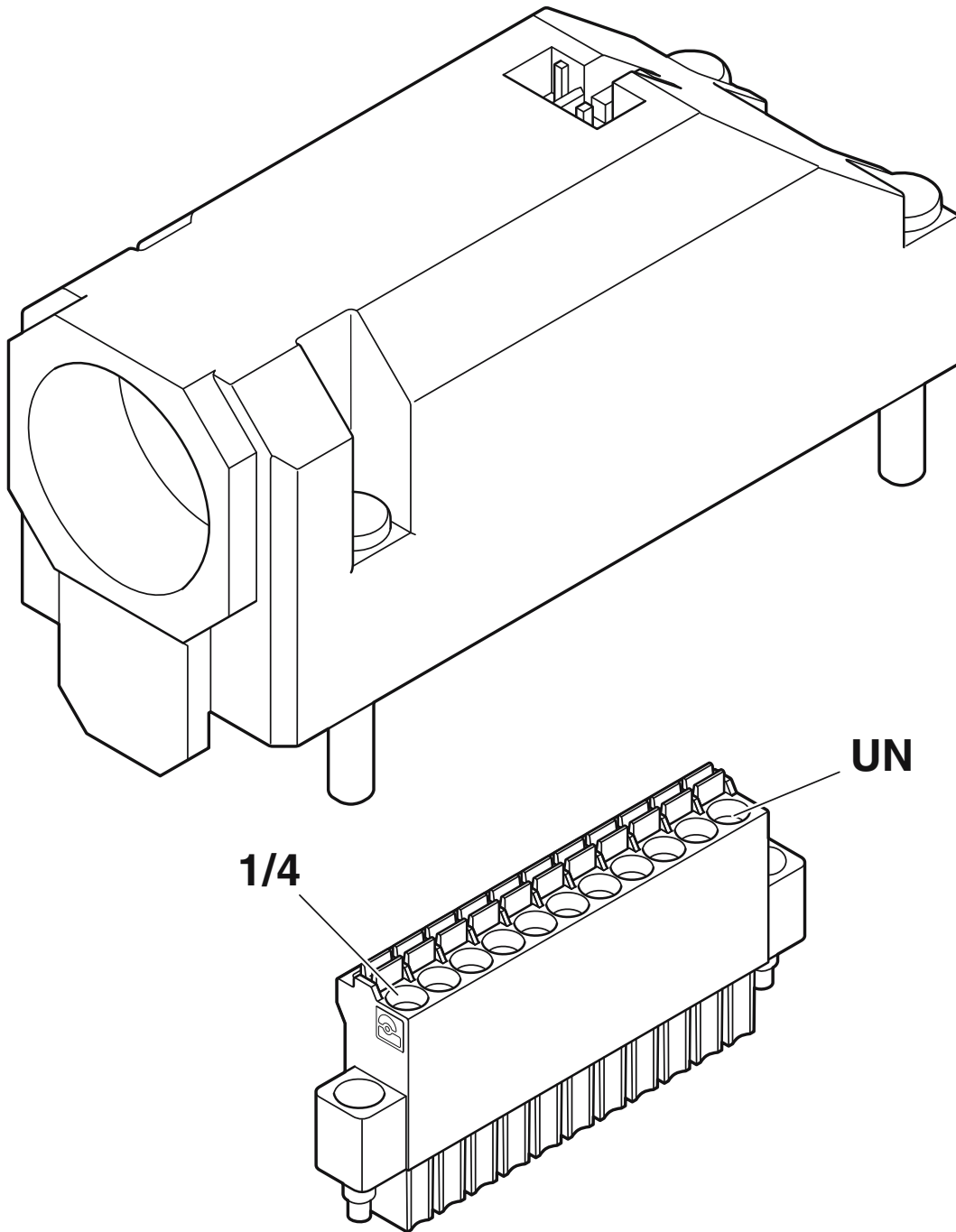
SACB-PT-H180- 8/3-M8 HD - Connector hood

1197657

<https://www.phoenixcontact.com/us/products/1197657>

Drawings

Schematic diagram



PCB connector positioning - the UN connection is on the end of the connector hood opposite the cable gland

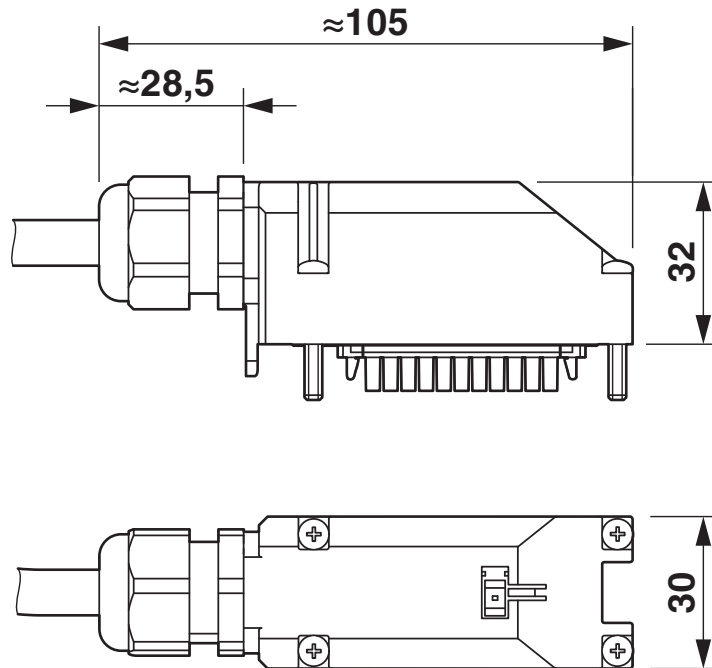
SACB-PT-H180- 8/3-M8 HD - Connector hood

1197657

<https://www.phoenixcontact.com/us/products/1197657>



Dimensional drawing



SACB-PT-H180- 8/3-M8 HD - Connector hood



1197657

<https://www.phoenixcontact.com/us/products/1197657>

Classifications

ECLASS

ECLASS-11.0	27440111
ECLASS-12.0	27440111
ECLASS-13.0	27440111

ETIM

ETIM 8.0	EC003558
----------	----------

UNSPSC

UNSPSC 21.0	31251500
-------------	----------

SACB-PT-H180- 8/3-M8 HD - Connector hood



1197657

<https://www.phoenixcontact.com/us/products/1197657>

Environmental Product Compliance

China RoHS	Environmentally friendly use period: unlimited = EFUP-e
	No hazardous substances above threshold values

SACB-PT-H180- 8/3-M8 HD - Connector hood



1197657

<https://www.phoenixcontact.com/us/products/1197657>

Mandatory Accessories

SACB- 8/3-L-C-M8 HD GG - Sensor/actuator box header

1197612

<https://www.phoenixcontact.com/us/products/1197612>



Sensor/actuator box header, application: Standard, connection method: M8 socket Metal, number of slots: 8, number of positions: 3, coding: A, slot assignment: single, status display: Yes, pnp; master cable connection: Plug-in master cable connection, shielding: no

Accessories

SACB- 8X0,34/2X0,75-50 PUR - Master cable ring

1517592

<https://www.phoenixcontact.com/us/products/1517592>



Master cable for sensor/actuator boxes, without PE conductor, unshielded, material PUR/PVC, 10-pos., 8 x 0.34 mm² and 2 x 0.75 mm², length: 50 m

SACB-PT-H180- 8/3-M8 HD - Connector hood



1197657

<https://www.phoenixcontact.com/us/products/1197657>

TSD 25 SAC - Torque screwdriver

1212315

<https://www.phoenixcontact.com/us/products/1212315>



Torque screwdriver, with preset torque of 2.5 Nm and 4 mm hexagonal drive for the pressure nut of the connector hood

SAC BIT HOOD-W 24 - Tool

1212486

<https://www.phoenixcontact.com/us/products/1212486>



Nut for assembling pressure nuts with 24 mm wrench size, for 4 mm hexagonal drive

SACB-PT-H180- 8/3-M8 HD - Connector hood

1197657

<https://www.phoenixcontact.com/us/products/1197657>

SZK PZ2 VDE - Screwdriver

1206463

<https://www.phoenixcontact.com/us/products/1206463>



Screwdriver, PZ crosshead, VDE insulated, size: PZ 2 x 100 mm, 2-component grip, with non-slip grip

SZS 0,4X2,5 VDE - Screwdriver

1205037

<https://www.phoenixcontact.com/us/products/1205037>



Screwdriver, slot-headed, VDE insulated, size: 0.4 x 2.5 x 80 mm, 2-component grip, with non-slip grip

SACB-PT-H180- 8/3-M8 HD - Connector hood

1197657

<https://www.phoenixcontact.com/us/products/1197657>



SF-BIT-SL 0,45X2,4-70 - Screw insert

1212607

<https://www.phoenixcontact.com/us/products/1212607>



Screw bit, slotted, E6.3-1/4" drive, size: 0.45 x 2.4 x 70 mm, hardened, suitable for holder according to DIN 3126-F6.3/ISO 1173

SF-M BH - Screwdriver

1212070

<https://www.phoenixcontact.com/us/products/1212070>



Bit screwdriver, with 1/4" quick-action chuck, handle length 119 mm, 2-component handle, with non-slip grip, suitable for bits according to DIN 3126-C 6.3 and E 6.3/ISO 1173, magnetic

Phoenix Contact 2023 © - all rights reserved
<https://www.phoenixcontact.com>

Phoenix Contact USA
586 Fulling Mill Road
Middletown, PA 17057, United States
(+717) 944-1300
info@phoenixcon.com