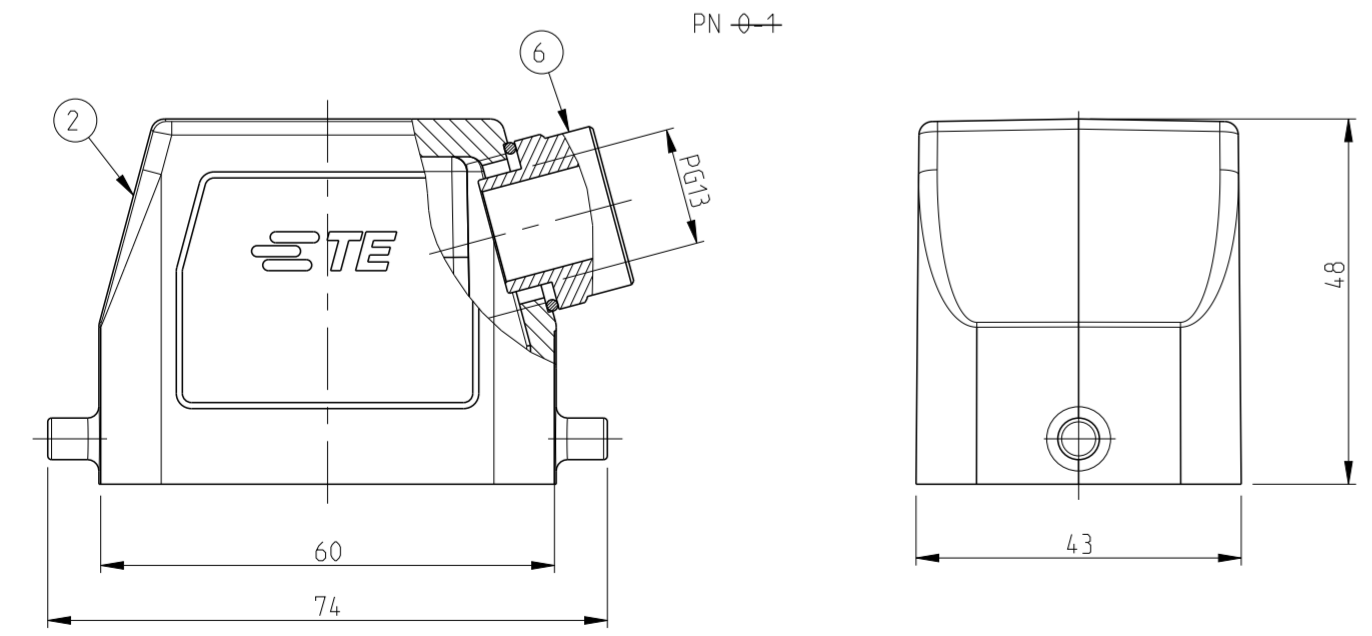
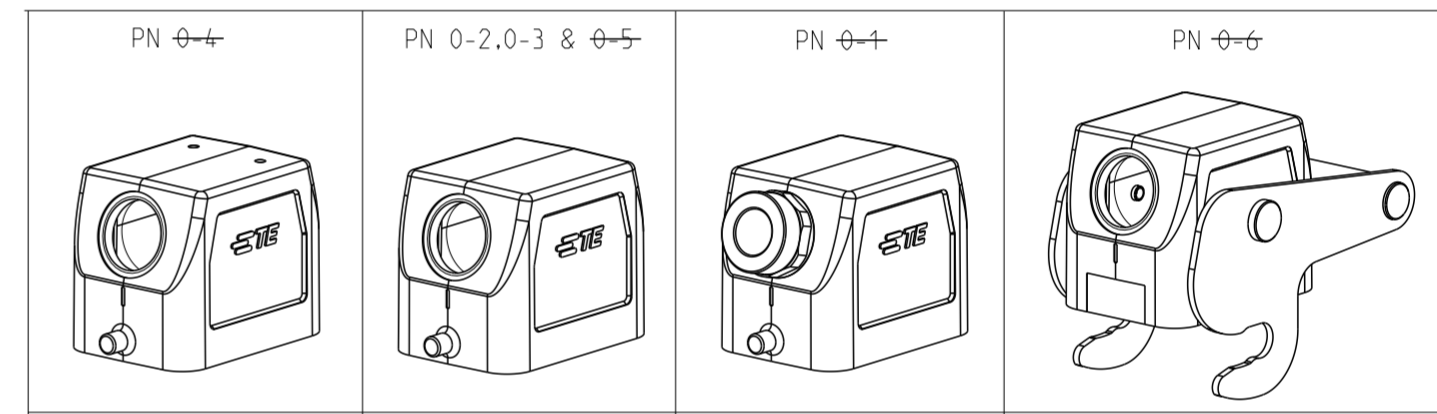
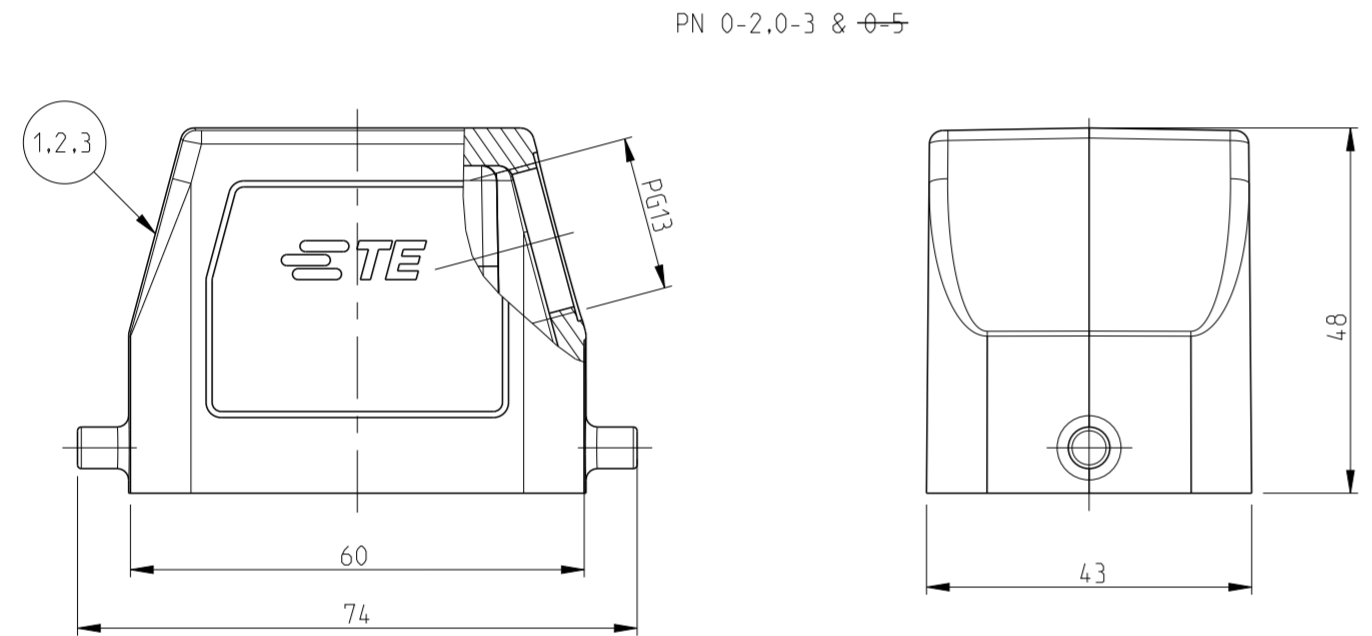
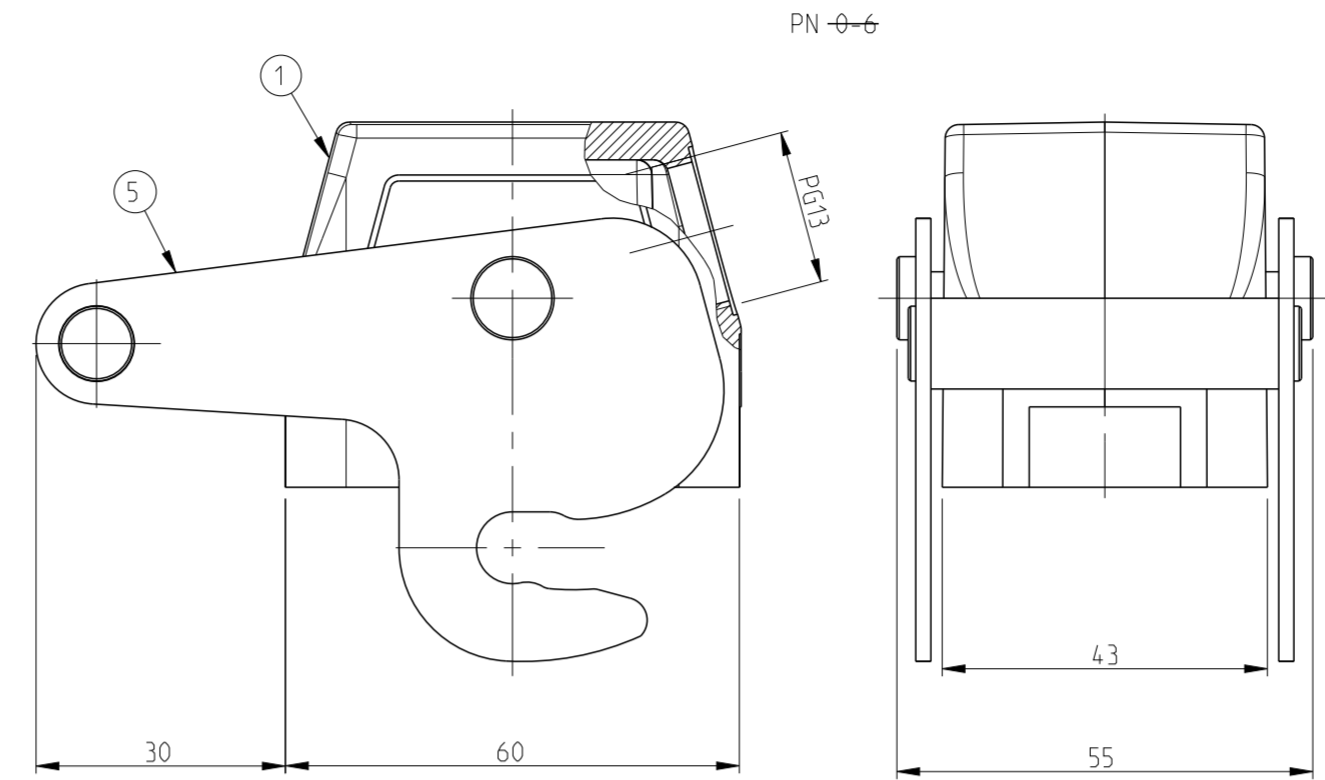
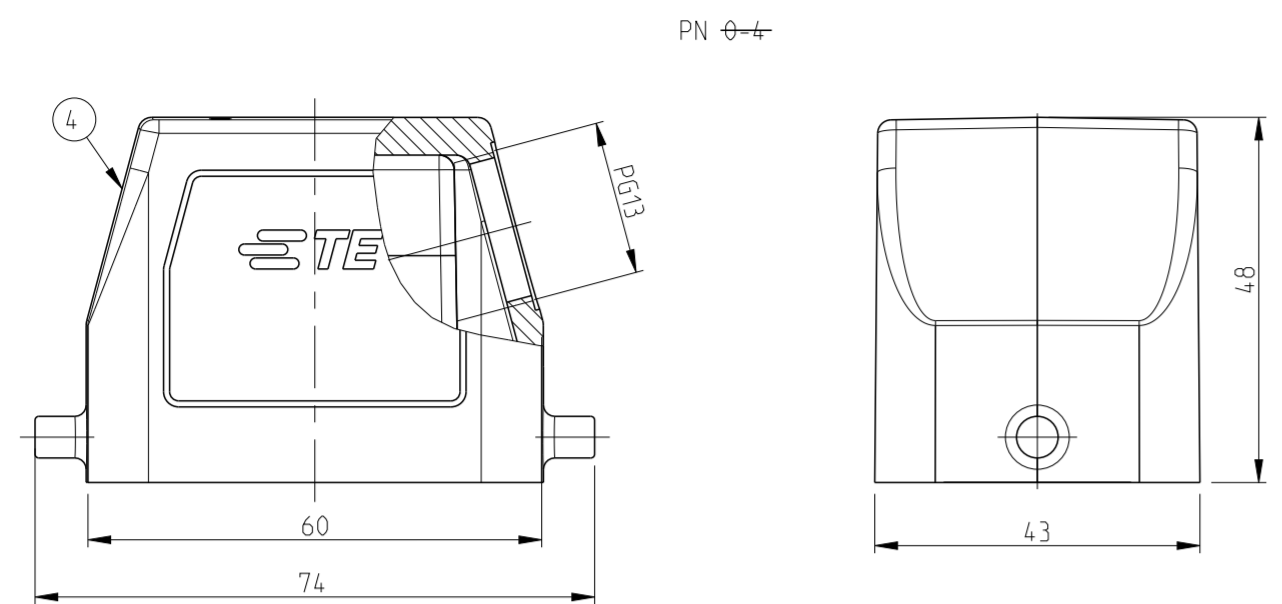


REVISIONS

P	LTR	DESCRIPTION	DATE	DWN	APVD
A5		ECR-21-123577	28JUL2022	RK	JB

Notes

- 1 Material: Housing: Aluminium diecasting alloy
- 2 Surface:- Varnish-grey  
-Aluminium oxide-  
Varnish black
- 3 Varnish on the inside not necessary
- 4 Packaging  
Packaging quantity: 5 pieces in a box



OB	OB	OB	OB	OB	OB	DESCRIPTION	MATERIAL	SURFACE	COLOR	ITEM NO	NOTES
	1					O-Ring PG13	Perbunan		Black	9	
	1					Adapter	Brass	Nickel plated	Blue	8	
	2					Clip positioner-ZBI	Steel	Zinc plated	Blue	7	
	1					ZB-Side clip	Steel	Zinc plated	Blue	6	
	1					Hood HB6	Aluminium		Grey	5	
		1				Hood HB6	Aluminium	HC	ALU-Colored	4	
	1		1			Hood HB6	Aluminium	HC	Black	3	
				1		Hood HB6	Aluminium		Grey	2	
				1		Hood HB6	Aluminium		Grey	1	
0-6	0-1	0-2	0-5	0-4	0-3	DESCRIPTION	MATERIAL	SURFACE	COLOR	ITEM NO	NOTES
						HB.6.STS.1.13G					
						HB.6.STS.1.13.G+2.M3					
						HB-K.6.STS.1.13.G					
						HB-K.6.STS.1.13.G-S0					
						HB-K.6.STS.1.13.Z					
						HB-Z.6.STS-ZB.1.13.G					

THIS DRAWING IS A CONTROLLED DOCUMENT.

DWN Schneider 29.11.2002  
CHK Schweiger 29.11.2002  
APVD

**STE** TE Connectivity

NAME HOOD HB.6.STS.1.13.G.and Z

PRODUCT SPEC 108/74001/74003  
APPLICATION SPEC

SIZE A2 CAGE CODE 100779 DRAWING NO C-1108573 RESTRICTED TO -

MATERIAL FINISH WEIGHT SCALE 1:1 SHEET 1 OF 1 REV A5

CUSTOMER DRAWING