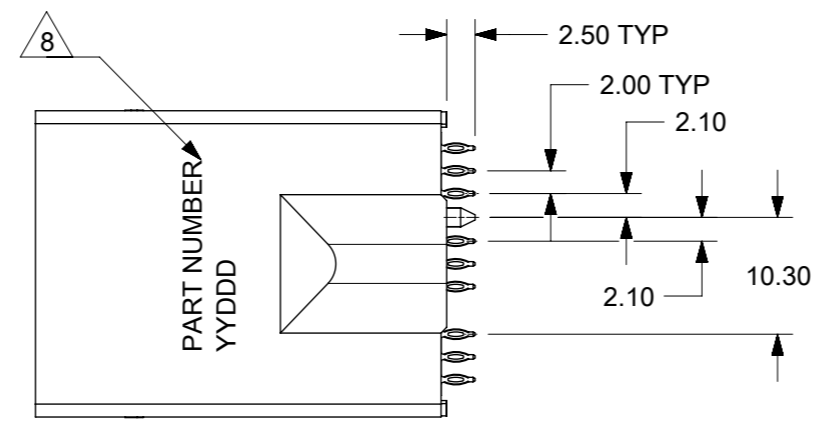
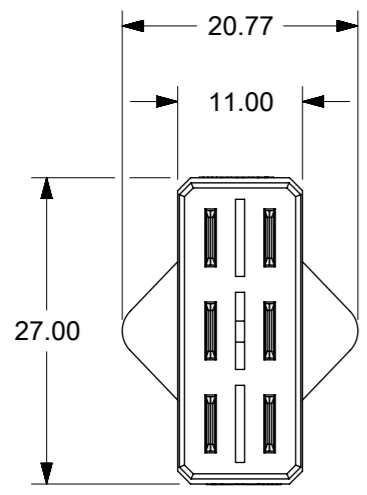
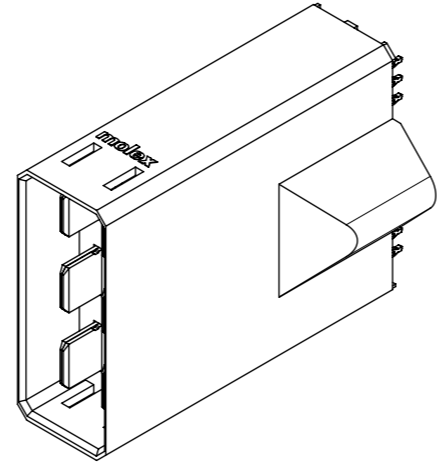
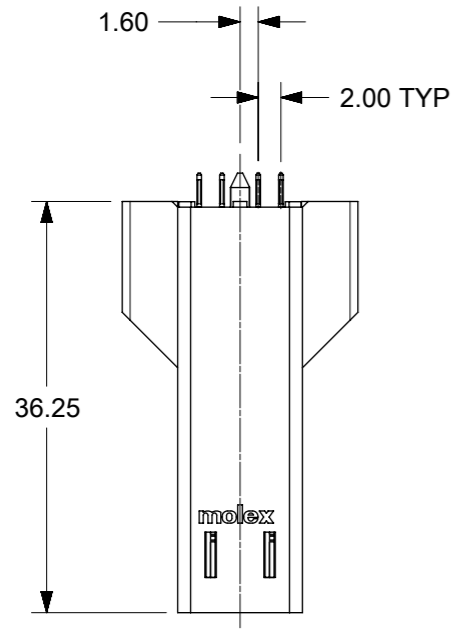


PART NUMBER	PLATING OPTIONS	PACKAGING
78442-1022	TIN PLATING	TRAY

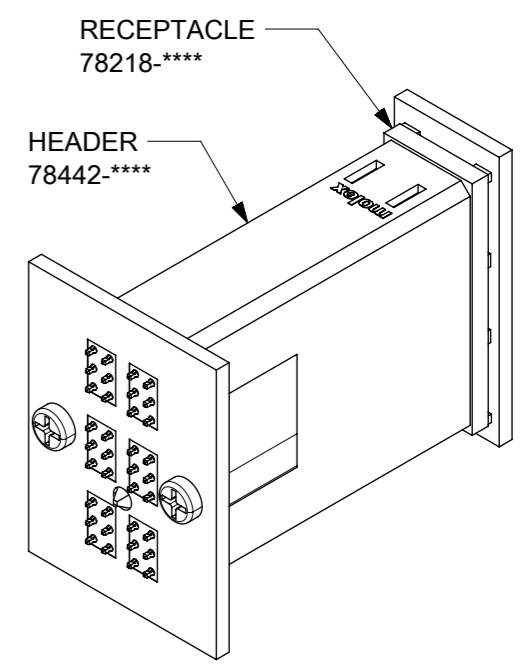
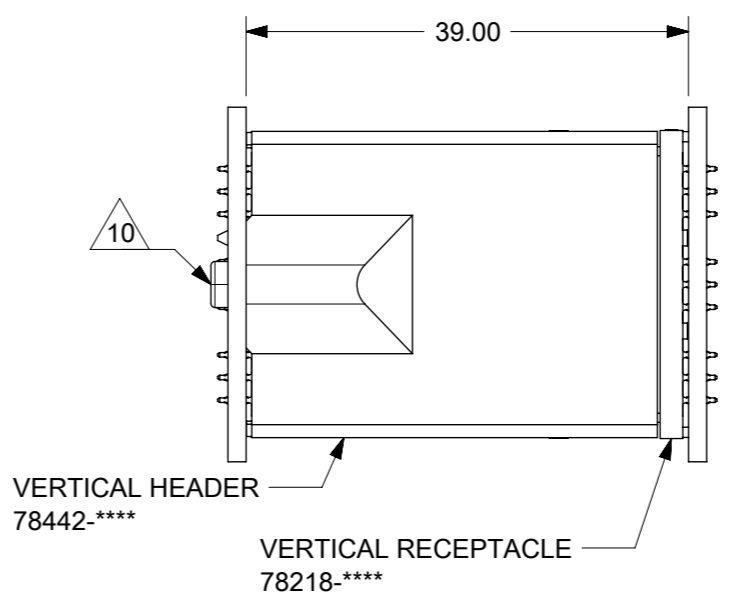
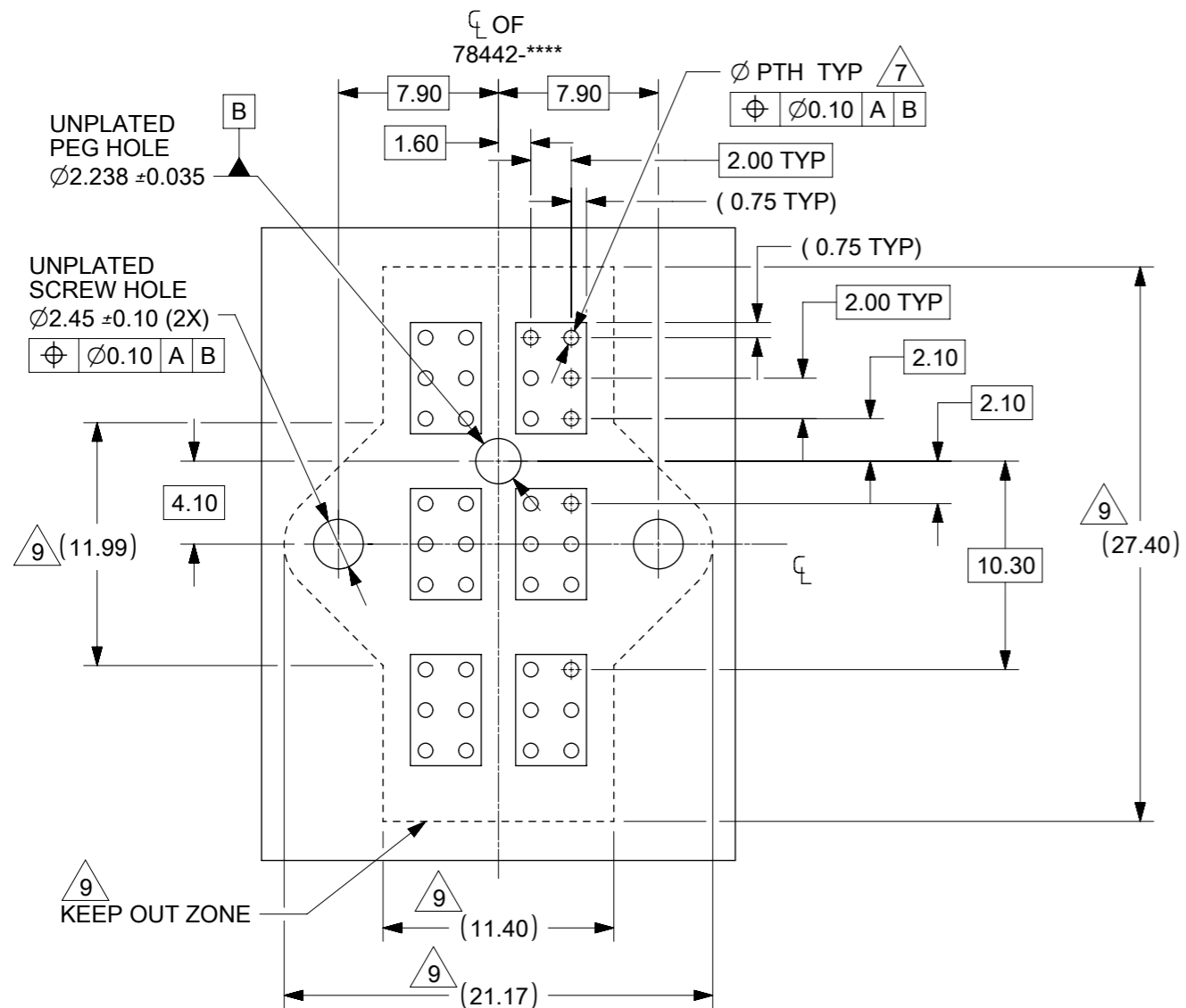


NOTES:

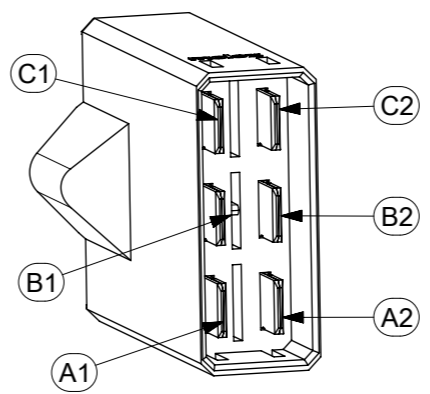
- MATERIAL:
HOUSING - LCP, GLASS FILLED, UL94-V0, COLOR: BLACK
POWER PIN - COPPER ALLOY
- FINISHES:
TIN - 0.76μm MINIMUM GOLD AT CONTACT AND
2.54μm MINIMUM TIN AT SOLDER TAIL AREA OVER
1.27μm MINIMUM NICKEL UNDERPLATE OVERALL.
- PRODUCT SPECIFICATION: PS-78213-001.
- PACKAGING SPECIFICATION: PK-78442-001.
- MATES WITH 78218-****.
- REFER SHEET 2 FOR RECOMMENDED PCB LAYOUT.
- REFER TO MOLEX PRODUCT SPECIFICATION PS-78213-001 FOR PLATED THROUGH-HOLE SPECIFICATIONS.
- PART NUMBER AND DATE CODE (YYDDD) APPROXIMATELY SHOWN.
- KEEP OUT ZONE FROM OTHER COMPONENTS.
- PARTS ARE SHIPPED WITH #2-32 TYPE AB SELF-TAPPING SCREW PART NUMBER 73726-0000.

THIS DRAWING CONTAINS INFORMATION THAT IS PROPRIETARY TO MOLEX ELECTRONIC TECHNOLOGIES, LLC AND SHOULD NOT BE USED WITHOUT WRITTEN PERMISSION									
DIMENSION UNITS		SCALE		CURRENT REV DESC: MIGRATED TO NX				molex	
mm		NTS							
GENERAL TOLERANCES (UNLESS SPECIFIED)				EC NO: 612508				IMPACT POWER, 6 PAIR VERTICAL HEADER 39MM, PRESS-FIT	
ANGULAR TOL ± 3.0°				DRWN: AAPPARAOTHAK 2019/02/01					
4 PLACES ±				CHK'D: ABN 2019/03/12				PRODUCT CUSTOMER DRAWING	
3 PLACES ±				APPR: CWANG25 2019/03/13					
2 PLACES ± 0.25				INITIAL REVISION:				DOCUMENT NUMBER	
1 PLACE ±				DRWN: KJKOH 2008/10/06				SD-78442-001	
0 PLACES ±				APPR: SHONG 2008/10/07				DOC TYPE DOC PART REVISION	
DRAFT WHERE APPLICABLE MUST REMAIN WITHIN DIMENSIONS				THIRD ANGLE PROJECTION		DRAWING		SHEET NUMBER	
				A3-SIZE		SERIES		CUSTOMER	
						78442		GENERAL MARKET	
						SEE TABLE		1 OF 2	

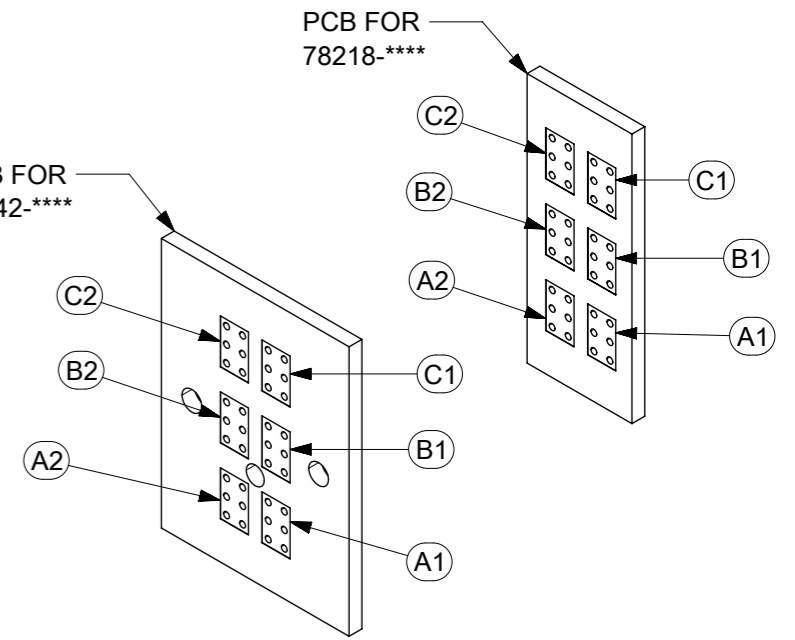
DOCUMENT STATUS	P1	RELEASE DATE	2019/03/13	10:32:47
-----------------	----	--------------	------------	----------



5 MATED SYSTEM WITH 78442
VERTICAL HEADER (78442) & VERTICAL RECEPTACLE (78218)



PIN NUMBER ASSIGNMENT
BASED ON HEADER SIDE:
A1, B1 ON THE LEFT
A2, B2 ON THE RIGHT



CIRCUIT PATH OF MATED SYSTEM
WITH CONNECTOR REMOVED

RECOMMENDED PCB LAYOUT
(COMPONENT SIDE SHOWN)
BOARD THICKNESS: 1.60mm to 4.40mm

THIS DRAWING CONTAINS INFORMATION THAT IS PROPRIETARY TO MOLEX ELECTRONIC TECHNOLOGIES, LLC AND SHOULD NOT BE USED WITHOUT WRITTEN PERMISSION		CURRENT REV DESC: MIGRATED TO NX		molex	
DIMENSION UNITS	SCALE				
mm	NTS			IMPACT POWER, 6 PAIR VERTICAL HEADER 39MM, PRESS-FIT	
GENERAL TOLERANCES (UNLESS SPECIFIED)				PRODUCT CUSTOMER DRAWING	
ANGULAR TOL	± 3.0 °	EC NO:	612508	DOCUMENT NUMBER	
4 PLACES	±	DRWN:	AAPPARAOTHAK 2019/02/01	SD-78442-001	DOC TYPE
3 PLACES	±	CHK'D:	ABN 2019/03/12	PSD	DOC PART
2 PLACES	± 0.25	APPR:	CWANG25 2019/03/13	001	REVISION
1 PLACE	±	INITIAL REVISION:		D1	
0 PLACES	±	DRWN:	KJKOH 2008/10/06	MATERIAL NUMBER	
DRAFT WHERE APPLICABLE MUST REMAIN WITHIN DIMENSIONS		APPR:	SHONG 2008/10/07	CUSTOMER	
THIRD ANGLE PROJECTION		DRAWING	SERIES	SHEET NUMBER	
A3-SIZE		78442	SEE TABLE		GENERAL MARKET
				2 OF 2	