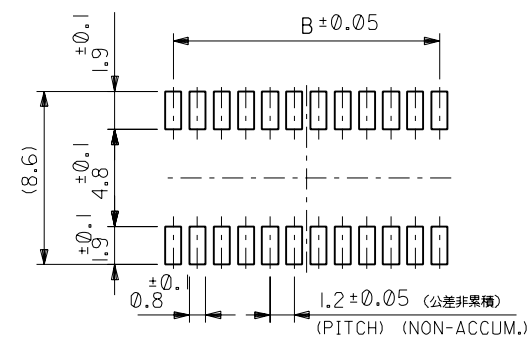
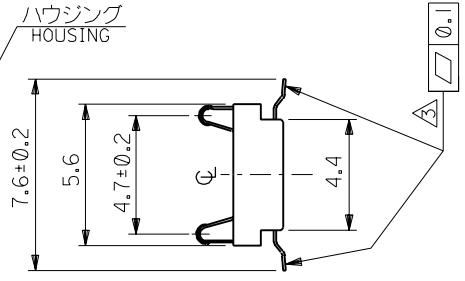
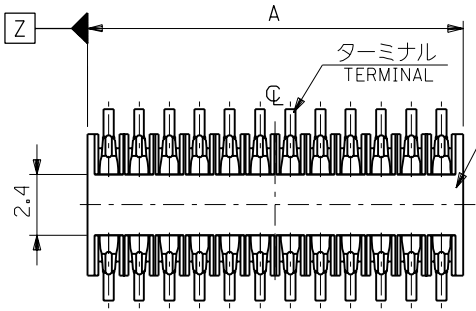
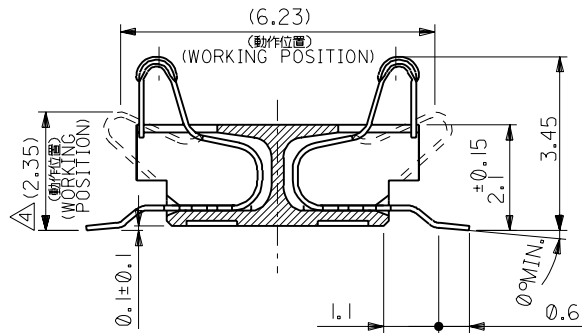
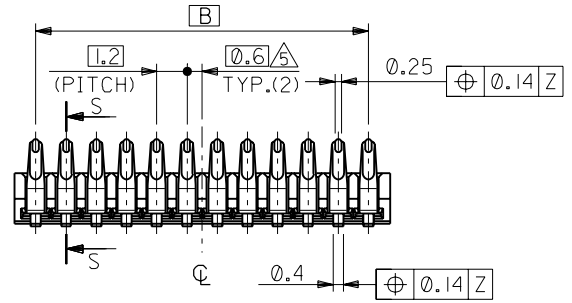


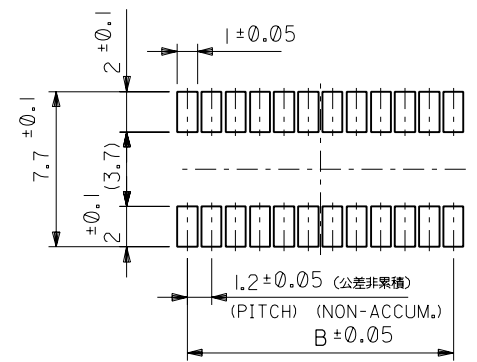
DWG. NO. SD-54546-012



参考基板レイアウト  
P.C.BOARD PATTERN DIM. (REF.)



SECT. S-S  
(SCALE 10:1)



参考嵌合基板レイアウト  
MATING P.C.BOARD PATTERN DIM. (REF.)

注記  
NOTES

- 材質 MATERIAL  
ハウジング : 液晶ポリマー (黒) UL94V-0  
HOUSING : LIQUID CRYSTAL POLYMER, (BLACK), UL94V-0  
ターミナル : 燐青銅 (t=0.1)  
TERMINAL : PHOSPHOR BRONZE (t=0.1)
  - メッキ仕様 PLATING  
接点部 : 金メッキ  
CONTACT AREA : GOLD PLATING 0.4 MICROMETER MINIMUM.  
半田付け部 : 半田メッキ  
SOLDER TAIL AREA : TIN-LEAD PLATING 2.5 MICROMETER MINIMUM.  
下地メッキ : ニッケルメッキ  
UNDER PLATING : NICKEL PLATING 1.5 MICROMETER MINIMUM.
- △3 コネクタを水平面上に置いた状態にて維持する事。  
TOLERANCES TO BE APPLIED WHEN ON A HORIZONTAL PLANE.
- △4 動作位置 (ストローク量 1.1mm) での接触力 : 0.46±0.1N {47±10gf}  
NORMAL FORCE AT WORKING POSITION (STROKE 1.1mm) : 0.46±0.1N {47±10gf}
- △5 (全極数/2) が偶数の場合に適用。  
THIS DIM. TO BE APPLICABLE TO THE PRODUCT  
WHEN (TOTAL CKT/2) = EVEN NUMBER.

13.2	14.9	54546-2431	24
10.8	12.5	54546-2031	20
7.2	8.9	54546-1431	14
B	A	MATERIAL NO.	極数 CIRCUIT

DO NOT SCALE DRAWING

① NO. J2002-0787 DRWN: THIRAYAMA 01/10/03 CHK: THIRATA APPR: MISASAO 更新 新規作成 RELEASED	② NO. J2001-0333 DRWN: T.KAIHO 00/11/2 CHK: T.ITO APPR: M.FUKUSHIMA	MATERIAL 材料 SEE NOTES	GENERAL TOLERANCES: (UNLESS SPECIFIED) 一般公差		MODEL NO. 54546-***31	DIMENSIONS:		SHT	REV		
			⑩ UNDER 未満 ±0.2 ⑩ OVER 30 UNDER 未満 ±0.25 30 OVER 以上 ±0.3	SCALE 5:1 DESIGN UNITS <input checked="" type="checkbox"/> mm <input type="checkbox"/> INCH	<input checked="" type="checkbox"/> FIRST ANGLE PROJECTION <input type="checkbox"/> mm <input type="checkbox"/> INCH <input checked="" type="checkbox"/> mm ONLY	DRAWN BY & DATE T.KAIHO 00/11/2 CHECKED BY & DATE T.ITO 00/11/2 APPROVED BY & DATE M.FUKUSHIMA 00/11/2	TITLE: 1.2mm PITCH DUAL ONE PIECE Conn Hsg Assy W/O BOSS	REVISION ON CAD ONLY	MOLEX INCORPORATED		CAD FILENAME 54546012.S01
WIRE RANGE 適用 適用範囲 //	INS. RANGE 被覆 外径 //	ANGLE 角度 ±3°	THIS DRAWING CONTAINS INFORMATION THAT IS PROPRIETARY TO MOLEX INCORPORATED AND SHOULD NOT BE USED WITHOUT WRITTEN PERMISSION.						SIZE B	EN-02J(097) MXJ-54	

DWG. NO. SD-54546-013

8 7 6 5 4 3 2 1

F

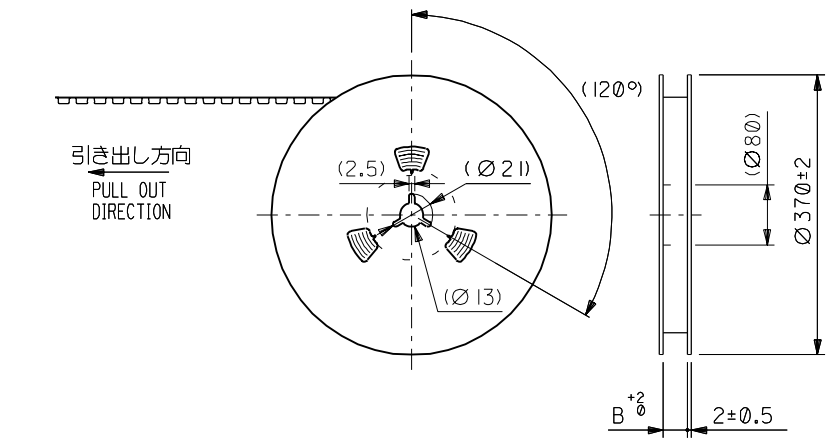
D

V

C

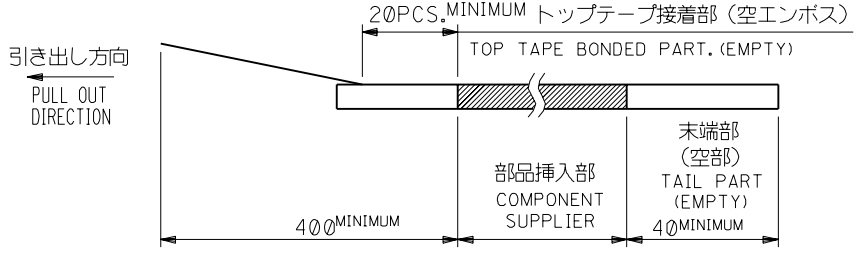
B

DO NOT SCALE DRAWING

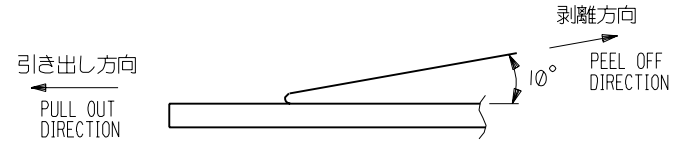


注記 NOTES

- 梱包数量：1000個/リール  
NUMBER OF CONNECTORS : 1000PCS/REEL
- リードテープ長さ LEAD TAPE LENGTH



- トップテープの剥離強度：0.1N ~ 0.7N(10.2gf ~ 71.4gf)  
(剥離方向は下図参照)  
尚、本規格値は出荷時に適用。(但し、輸送時に剥離が発生しないこと。)  
PEELING OFF FORCE OF TOP TAPE : 0.1N ~ 0.7N(10.2gf ~ 71.4gf)  
(PEELING DIRECTION AS SHOWN IN FOLLOWING FIG.)  
THIS REQUIREMENT SHOULD BE APPLIED AT SHIPMENT.  
PEEL OFF SHOULD NOT BE ALLOWED , DURING TRANSPORTATION.



- 材料 (MATERIAL)  
キャリアテープ (CARRIER TAPE) : ポリプロピレン (POLYPROPYLENE)  
トップテープ (TOPTAPE) : PET , PE , PEF  
リール (REEL) : 紙製 (CARD BOARD)

54546-2431	54546-2491	24
54546-2031	54546-2091	20
54546-1431	54546-1491	14
CONNECTOR	MATERIAL NO.	極数 CIRCUIT

064NO. DRAWN: CHK'K: APPR:	063NO. DRAWN: CHK'K: APPR:	062NO. DRAWN: CHK'K: APPR:	更新 061NO. J2002-0787 DRAWN: THIRAYAMA 01/10/03 CHK'K: THIRATA APPR: MASAOKO 新規作成 RELEASED 060NO. JC2001-0333 DRAWN: T.KAIHO 00/11/2 CHK'K: T.ITO APPR: M.FUKUSHIMA	MATERIAL 材料 SEE NOTES	GENERAL TOLERANCES: (UNLESS SPECIFIED) 一般公差
				FINISH 仕上げ //	10 UNDER 未満 ±0.2 10 OVER 30 UNDER 未満 ±0.25 30 OVER 以上 ±0.3
				WIRE RANGE 適用電線範囲 //	ANGLE 角度 ±3°
				INS. RANGE 被覆外径 //	

SCALE	DESIGN UNITS	MODEL NO.	DIMENSIONS:	SHT	REV
---	<input checked="" type="checkbox"/> mm <input type="checkbox"/> INCH <input type="checkbox"/> mm ONLY	54546-**-91	<input type="checkbox"/> mm <input type="checkbox"/> INCH <input checked="" type="checkbox"/> mm ONLY		
DRAWN BY & DATE	CHECKED BY & DATE	TITLE:			
T.KAIHO 00/11/2	T.ITO 00/11/2	1.2 DUAL ONE PIECE Conn Hsg Assy (W/O BOSS) Embstp Pkg			
APPROVED BY & DATE	MOLEX MOLEX INCORPORATED				
M.FUKUSHIMA 00/11/2					
CAD FILENAME	MATERIAL NO.	DRAWING NO.	SHEET NO.		
54546013.S01	54546-**-91	SD-54546-013	1 OF 2		
THIS DRAWING CONTAINS INFORMATION THAT IS PROPRIETARY TO MOLEX INCORPORATED AND SHOULD NOT BE USED WITHOUT WRITTEN PERMISSION.					SIZE B

54546013.S01

DWG. NO. SD-54546-013

F

D

▽

C

B

DO NOT SCALE DRAWING

8 7 6 5 4 3 2 1

F

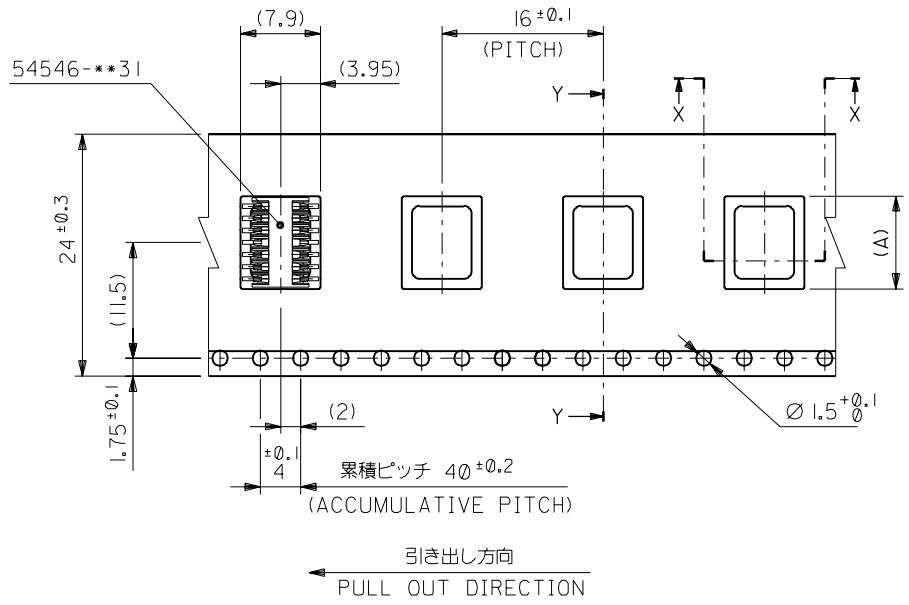
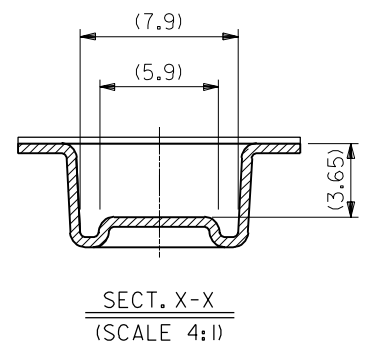
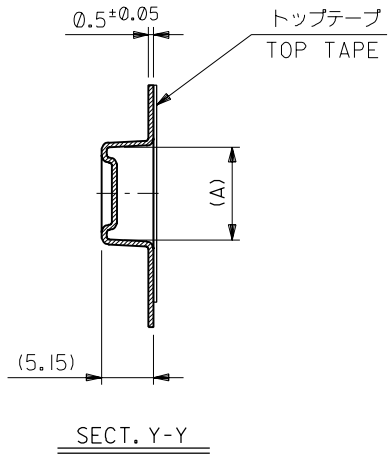
E

D

C

B

A



24	24.4	15.2	54546-2491	24
		12.8	54546-2091	20
		9.2	54546-1491	14
キャリアテープ幅 CARRIER TAPE WIDTH		B	A	回路数 CIRCUIT
MODEL NO. 54546-***91		DIMENSIONS:		SHT REV
		<input type="checkbox"/> mm	<input type="checkbox"/> INCH	<input checked="" type="checkbox"/> mm
		<input type="checkbox"/> INCH	<input type="checkbox"/> mm	<input type="checkbox"/> ONLY
		20°		REVISE ON CAD ONLY

064NO. DRAWN: CHK: APPR:	063NO. DRAWN: CHK: APPR:	062NO. DRAWN: CHK: APPR:	更新	新規格作成 RELEASED	MATERIAL 材料  SHEET NO.1 参照 SEE SHEET NO.1	GENERAL TOLERANCES: (UNLESS SPECIFIED) 一般公差	SCALE 2:1	DESIGN UNITS <input checked="" type="checkbox"/> mm <input type="checkbox"/> INCH	DRAWN BY & DATE T.KAIHO '00/11/ 2	CHECKED BY & DATE T.ITO '00/11/ 2	APPROVED BY & DATE M.FUKUSHIMA '00/11/ 2	TITLE: 1.2 DUAL ONE PIECE Conn Hsg Assy (W/O BOSS) Embstp Pkg	MOLEX INCORPORATED	CAD FILENAME 54546013.S02	MATERIAL NO. SEE CHART	DRAWING NO. SD-54546-013	SHEET NO. 2 OF 2	此図は INCORPORATED AND SHOULD NOT BE USED WITHOUT WRITTEN PERMISSION.	SIZE B
			061NO. J2002-0787 DRAWN: THIRAYAMA 01/10/03 CHK: THIRATA APPR: MISASAO	060NO. JC2001-0333 DRAWN: T.KAIHO '00/11/ 2 CHK: T.ITO APPR: M.FUKUSHIMA															

8 7 6 5 4 3 2 1 EN-02J(097) MXJ-54

54546013.S02