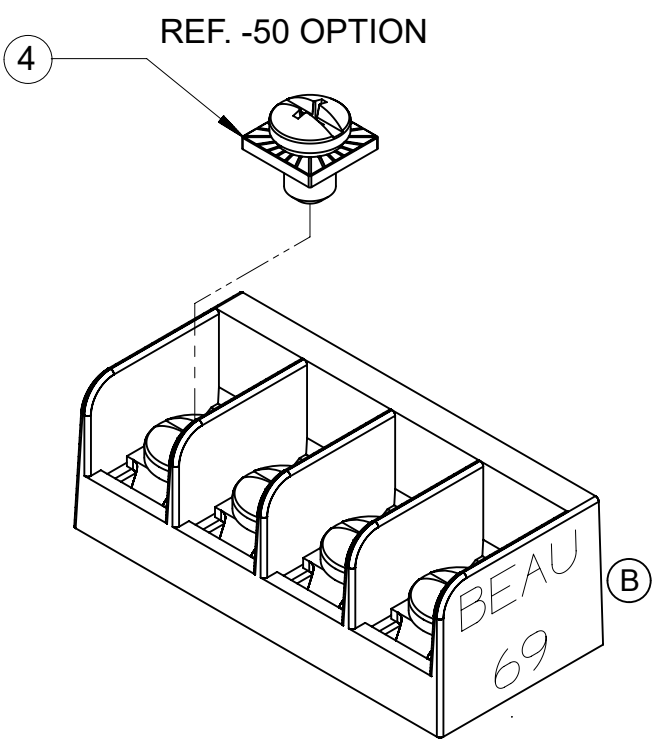
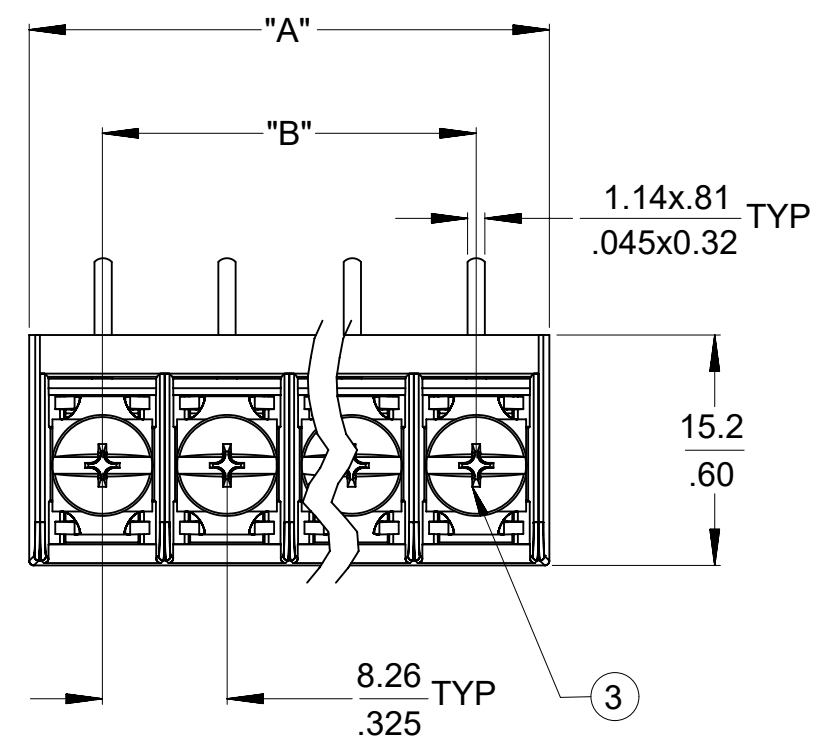


NO. OF CIRCUITS	DIM. "A"		DIM. "B"		ASSEMBLY MATERIAL NO. (STANDARD)	ASSEMBLY MATERIAL NO. (-50 OPT)
	mm	in	mm	in		
02	17.9	.71	8.3	.33	386915302	
03	26.2	1.03	16.5	.65	386915303	386915903
04	34.4	1.36	24.8	.98	386915304	386915904
05	42.7	1.68	33.0	1.30	386915305	386915905
06	50.9	2.01	41.3	1.63	386915306	
07	59.2	2.33	49.5	1.95	386915307	386915907
08	67.4	2.66	57.8	2.28	386915308	386915908
09	75.7	2.98	66.0	2.60	386915309	386915909
10	83.9	3.31	74.3	2.93	386915310	386915910
11	92.2	3.63	82.6	3.25	386915311	386915911
12	100.5	3.96	90.8	3.58	386915312	386915912
13	108.7	4.28	99.1	3.90	386915313	386915913
14	117.0	4.61	107.3	4.23	386915314	386915914
15	125.2	4.93	115.6	4.55	386915315	386915915
16	133.5	5.26	123.8	4.88	386915316	386915916
17	141.7	5.58	132.1	5.20	386915317	386915917
18	150.0	5.91	140.3	5.53	386915318	386915918
19	158.2	6.23	148.6	5.85	386915319	386915919
20	166.5	6.56	156.8	6.18	386915320	386915920
21	174.8	6.88	165.1	6.50	386915321	386915921
22	183.0	7.21	173.4	6.83	386915322	386915922
23	191.3	7.53	181.6	7.15	386915323	386915923
24	199.5	7.86	189.9	7.48	386915324	386915924
25	207.8	8.18	198.1	7.80	386915325	386915925
26	216.0	8.51	206.4	8.13	386915326	386915926
27	224.3	8.83	214.6	8.45	386915327	386915927
28	232.5	9.16	222.9	8.78	386915328	386915928
29	240.8	9.48	231.1	9.10	386915329	386915929
30	249.0	9.81	239.4	9.43	386915330	386915930
31	257.3	10.13	247.7	9.75	386915331	386915931
32	265.6	10.46	255.9	10.08	386915332	386915932

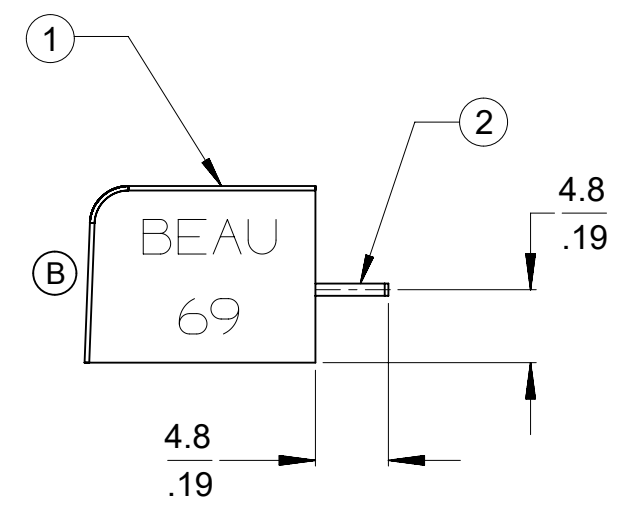
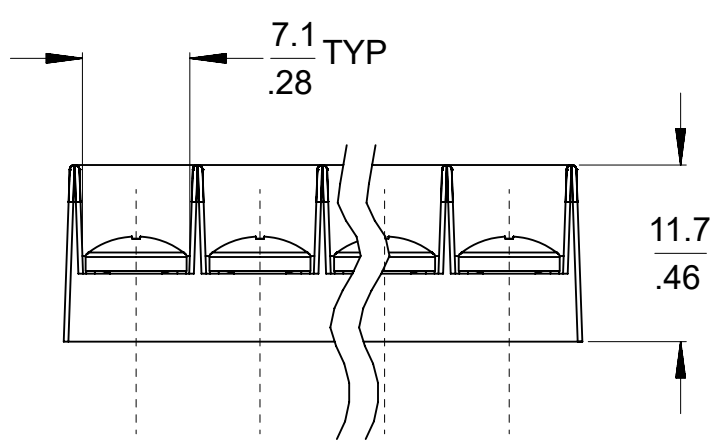
- NOTES:
1. MATERIAL: SEE TABLE
2. FINISHES: SEE TABLE.
3. "XX" REFERS TO THE QUANTITY OF CIRCUITS.
4. ROHS COMPLIANT.

ITEM	QTY.	DESCRIPTION	MATERIAL	FINISH
4	XX	SCREW #6-32X.155 PAN PHSLZN/BR/STEEL -50 OPT	STEEL	ZN, CLEAR CHROMATE
3	XX	SCREW #6-32X.160 PAN PHSLNI/BRASS (STD) (B)	BRASS	NICKEL PLATE
2	XX	TERMINAL, PC	BRASS	TIN PLATE
1	1	INSULATOR	POLYESTER (PBT)	BLACK

DOCUMENT STATUS	P1	RELEASE DATE	2021/08/06	10:25:56
-----------------	----	--------------	------------	----------



4 CIRCUITS ASSY' SHOWN AS REFERENCE



THIS DRAWING CONTAINS INFORMATION THAT IS PROPRIETARY TO MOLEX ELECTRONIC TECHNOLOGIES, LLC AND SHOULD NOT BE USED WITHOUT WRITTEN PERMISSION

DIMENSION UNITS	SCALE	CURRENT REV DESC: OBSOLETE PART NUMBERS AS PER PCN 508518	molex		
MM/IN	2:1				
GENERAL TOLERANCES (UNLESS SPECIFIED)			8.26/.325 SR TRI-BTS RIGHT ANGLE TERMINAL NO MOUNTING ENDS		
	MM	INCH	PRODUCT CUSTOMER DRAWING		
4 PLACES	±	±	DOCUMENT NUMBER		
3 PLACES	±	± 0.005	SD-38691-003		
2 PLACES	± 0.13	± 0.01	DOC TYPE	DOC PART	REVISION
1 PLACE	± 0.3	±	PSD	001	C
0 PLACES	±	±	SHEET NUMBER		
ANGULAR TOL	± 2.0°		1 OF 1		
DRAFT WHERE APPLICABLE MUST REMAIN WITHIN DIMENSIONS			THIRD ANGLE PROJECTION	DRAWING	SERIES
				B-SIZE	38691
			MATERIAL NUMBER	CUSTOMER	
			SEE CHART	GENERAL MARKET	