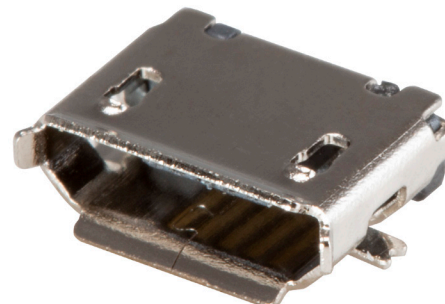


**MODEL:** UJ2-MIBH-G-SMT-TR | **DESCRIPTION:** USB RECEPTACLE

**FEATURES**

- USB micro B type receptacle
- USB 2.0
- horizontal orientation
- surface mount



**SPECIFICATIONS**

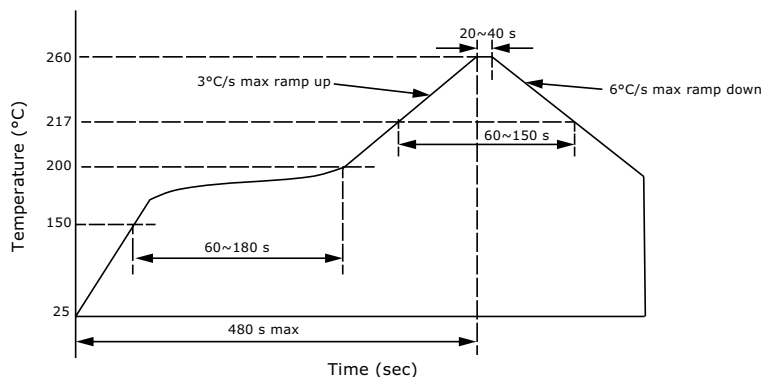
| parameter                       | conditions/description  | min   | typ   | max        | units   |
|---------------------------------|---|-------|-------|------------|---------|
| USB standard                    | USB 2.0   |       |       |            |         |
| rated input voltage             |   |       |       | 5          | Vdc/Vac |
| rated input current             | power contacts (pins 1 & 5)<br>signal contacts (pins 2, 3, 4) |       |       | 1.8<br>0.5 | A<br>A  |
| contact resistance <sup>1</sup> | between terminals and mating plug                             |       |       | 50         | mΩ      |
| insulation resistance           | at 500 Vdc between adjacent contacts or ground                | 1,000 |       |            | MΩ      |
| voltage withstand               | for 1 minute between adjacent contacts or ground              |       |       | 100        | Vac     |
| insertion force                 | at a rate of 12.5 mm/min                                      |       |       | 35         | N       |
| withdrawal force                | at a rate of 12.5 mm/min                                      | 8     |       |            | N       |
| life                            |   |       | 3,000 |            | cycles  |
| operating temperature           |   | -30   |       | 85         | °C      |
| storage temperature             |   | -40   |       | 85         | °C      |
| flammability rating             | UL94V-0   |       |       |            |         |
| RoHS                            | yes   |       |       |            |         |

Note: 1. When measured at 20 mV max / 100 mA.

**SOLDERABILITY**

| parameter                     | conditions/description                        | min | typ | max | units |
|-------------------------------|---|-----|-----|-----|-------|
| reel storage                  | at relative humidity <95%                     |     |     | 25  | °C    |
| reflow soldering <sup>2</sup> | as per IPC/JEDECJ-STD-020C (PCB thk: <1.6 mm) |     | 255 | 260 | °C    |

Note: 2. It is recommended to reflow solder within 72 hours from opening vacuum packaging at a temperature <30°C & relative humidity <60%.



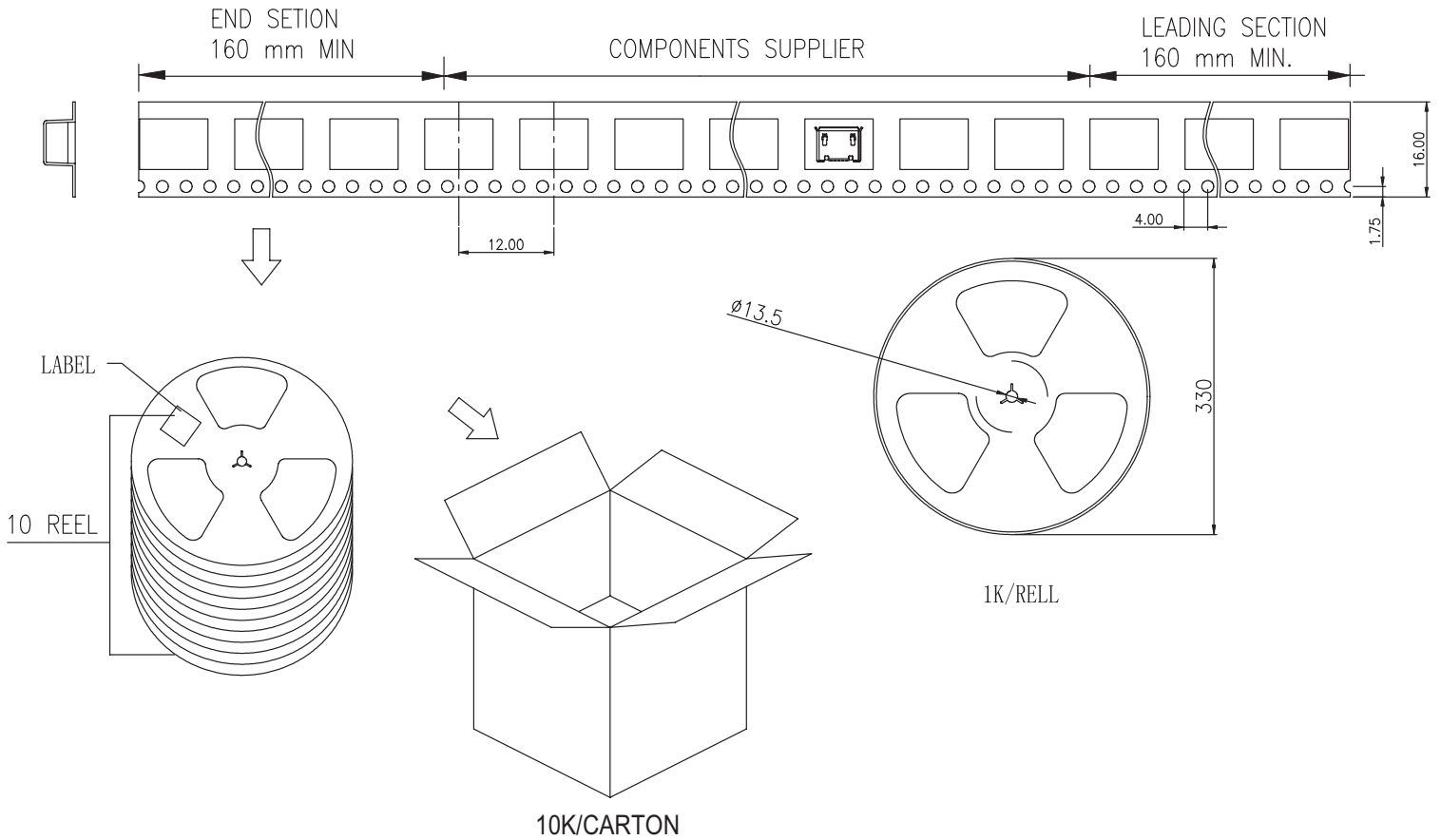


## PACKAGING

units: mm

Reel Size:  $\varnothing 330$  mm

Reel QTY: 1,000 pcs per reel



## REVISION HISTORY

| rev. | description                  | date       |
|------|------------------------------|------------|
| 1.0  | initial release              | 12/11/2020 |
| 1.01 | added USB standard           | 04/07/2022 |
| 1.02 | logo, datasheet style update | 08/05/2022 |

The revision history provided is for informational purposes only and is believed to be accurate.



CUI Devices offers a one (1) year limited warranty. Complete warranty information is listed on our website.

CUI Devices reserves the right to make changes to the product at any time without notice. Information provided by CUI Devices is believed to be accurate and reliable. However, no responsibility is assumed by CUI Devices for its use, nor for any infringements of patents or other rights of third parties which may result from its use.

CUI Devices products are not authorized or warranted for use as critical components in equipment that requires an extremely high level of reliability. A critical component is any component of a life support device or system whose failure to perform can be reasonably expected to cause the failure of the life support device or system, or to affect its safety or effectiveness.

[cuidevices.com](http://cuidevices.com)