

THIS DRAWING IS UNPUBLISHED.

RELEASED FOR PUBLICATION

2009

© COPYRIGHT 2009 BY -

ALL RIGHTS RESERVED.

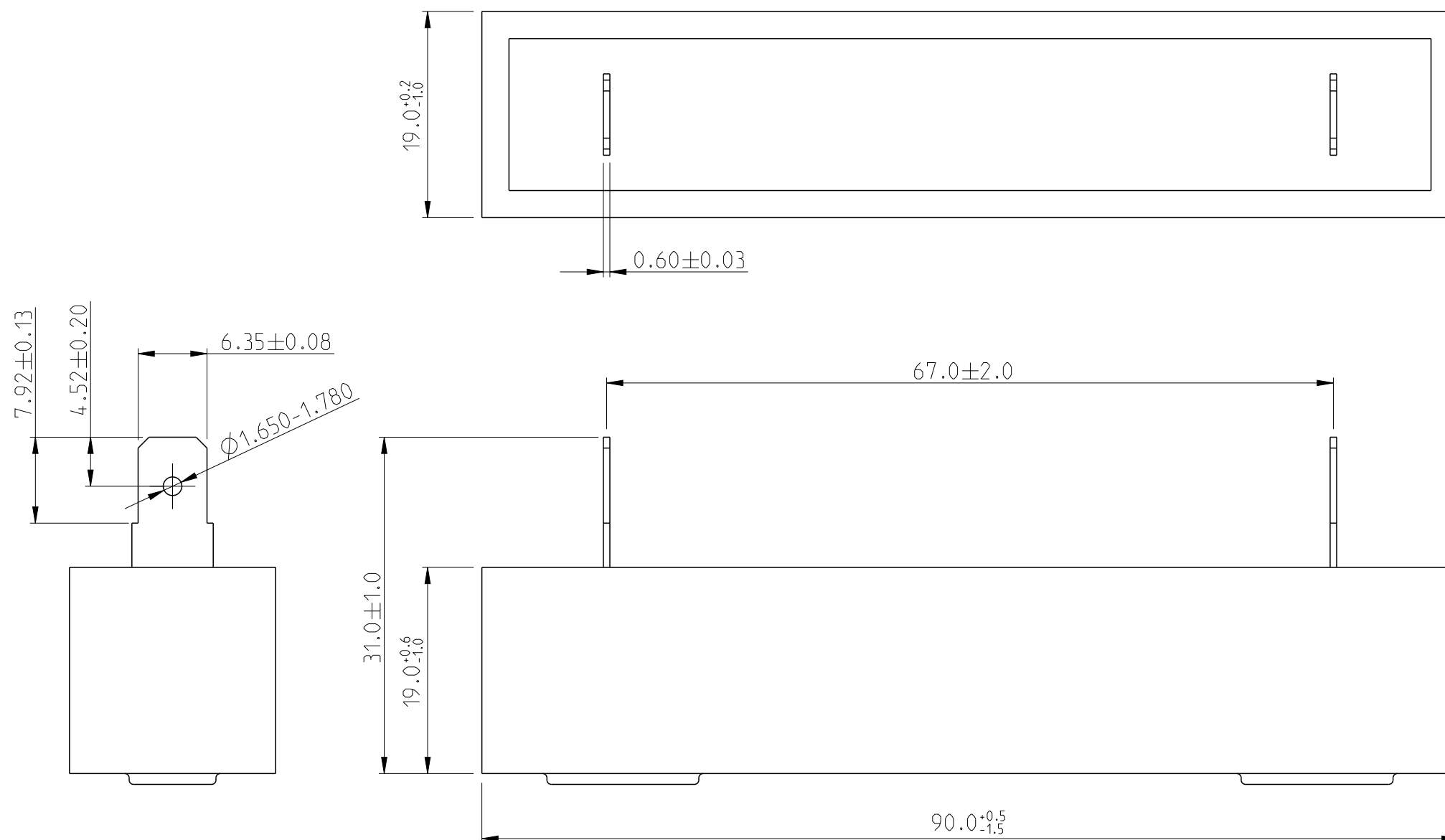
LOC E DIST B

REVISIONS

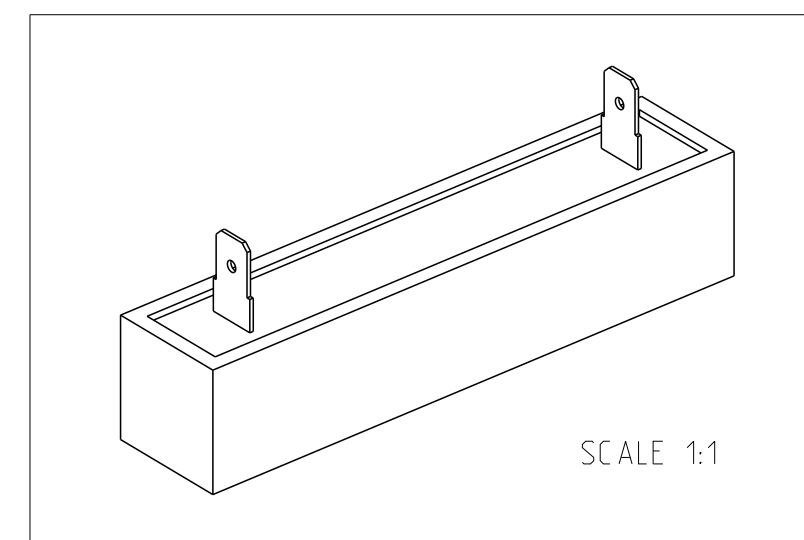
P	LTR	DESCRIPTION	DATE	DWN	APVD
	BB5	ECR-19-009550	18JUN2019	SR	AP

NOTES:

- 1 RATED POWER @ 70°C: 40W
- 2 RESISTANCE RANGE: 1R0 - 2K0
- 3 TEMP. COEFFICIENT: ±300ppm/°C
- 4 OPERATING TEMP. RANGE: -55 to +250 °C
- 5 INSULATION RESISTANCE: 1000M0hms
- 6 FOR FURTHER INFORMATION SEE DATA SHEET FOR SQ SERIES-HIGH POWER RESISTOR (1773285)



RoHS Compliant



ITEM	TE PART NO	MEC PART NO	DESCRIPTION
1	0-1879556-1	SQHW 40160RJ6	SQH40 160R 5% 6.35mm FASTON
2	0-1879556-2	SQHW 4015RJ6	SQH40 15R 5% 6.35mm FASTON
3	0-1879556-3	SQHW 4023R8J6	SQH40 23R8 5% 6.35mm FASTON
4	0-1879556-4	SQHW 4060RJ6	SQH40 60R 5% 6.35mm FASTON
5	0-1879556-5	SQHW 4020RJ6	SQH40 20R 5% 6.35mm FASTON
6	0-1879556-6	SQHW 4040RJ6	SQH40 40R 5% 6.35mm FASTON
7	0-1879556-7	SQHW 40100RJ6	SQH40 100R 5% 6.35mm FASTON

THIS DRAWING IS A CONTROLLED DOCUMENT.		DWN SUBHASH.M 24-MAR-09	TE Connectivity	
DIMENSIONS: mm		CHK C.BOLLE 24-MAR-09		
TOLERANCES UNLESS OTHERWISE SPECIFIED:		APVD J.CATCHPOLE 24-MAR-09		
0 PLC ±0.5 1 PLC ±0.2 2 PLC ±0.1 3 PLC ± 4 PLC ± ANGLES ±0.5° FINISH -		NAME HIGH POWER RESISTOR SQH40 6.35MM FASTON		
MATERIAL -		PRODUCT SPEC -	APPLICATION SPEC -	RESTRICTED TO -
		WEIGHT -	SIZE A3	CAGE CODE 00779
		Customer Drawing	DRAWING NO C=1879556	
			SCALE 2:1	SHEET 1 OF 1
				REV BB5