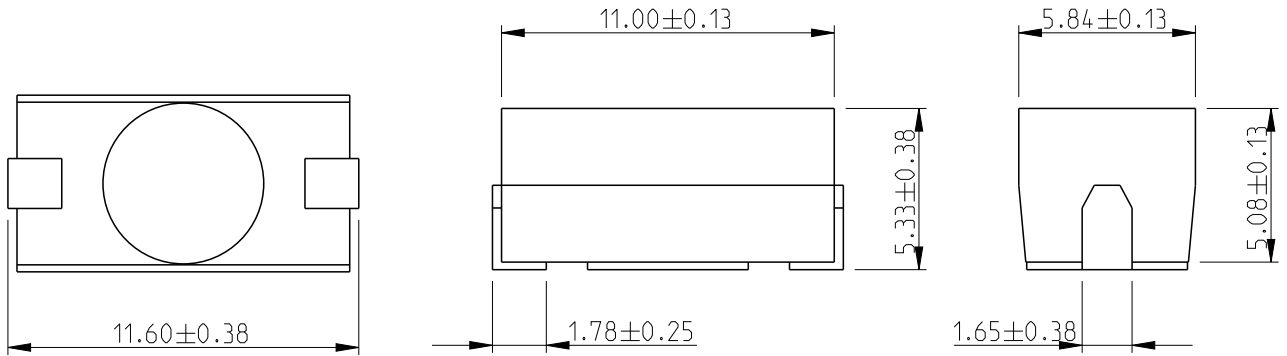
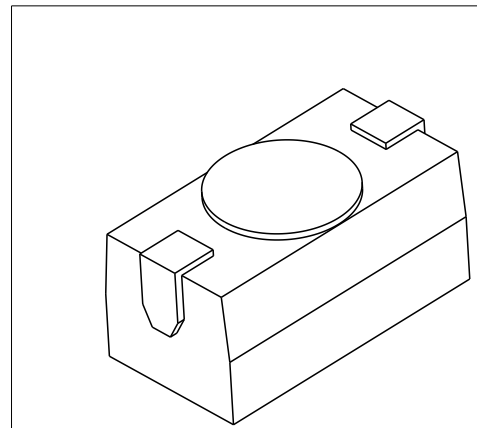
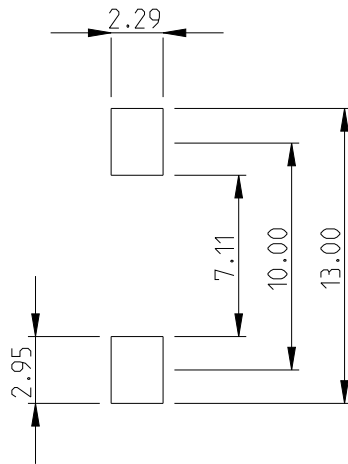


REVISIONS					
P	LTR	DESCRIPTION	DATE	DWN	APVD
	BA	NEW RELEASE	10JULY2010	PT	St.P
	BA1	ECR-13-019092	07DEC2013	KR	TN

FOR FURTHER INFORMATION SEE DATA SHEET FOR SERIES S - SMD MOULDED POWER RESISTOR



RECOMMENDED LAND PATTERN



2008

RELEASED FOR PUBLICATION

ALL RIGHTS RESERVED.

THIS DRAWING IS UNPUBLISHED.

BY -

© COPYRIGHT 2008

DIMENSIONS: mm	DWN PARUSURAM.T	10JULY2010	MATERIAL	-	FINISH	-
	CHK ALLAN.P	10JULY2010				
TOLERANCES UNLESS OTHERWISE SPECIFIED:	APVD STEPHEN.P	10JULY2010				
	0 PLC ± 0.2	PRODUCT SPEC	NAME	SMD PRECISION CURRENT SENSE RESISTOR SERIES SL2		
1 PLC ± 0.1	-	APPLICATION SPEC	SIZE	CAGE CODE	DRAWING NO	RESTRICTED TO
2 PLC \pm	-	-	A 4	00779	C=1624267	-
3 PLC \pm	-	-	Customer Drawing			
4 PLC \pm	WEIGHT	-	SCALE	4:1	SHEET	1 OF 1
ANGLES $\pm 5^\circ$			REV		BA1	