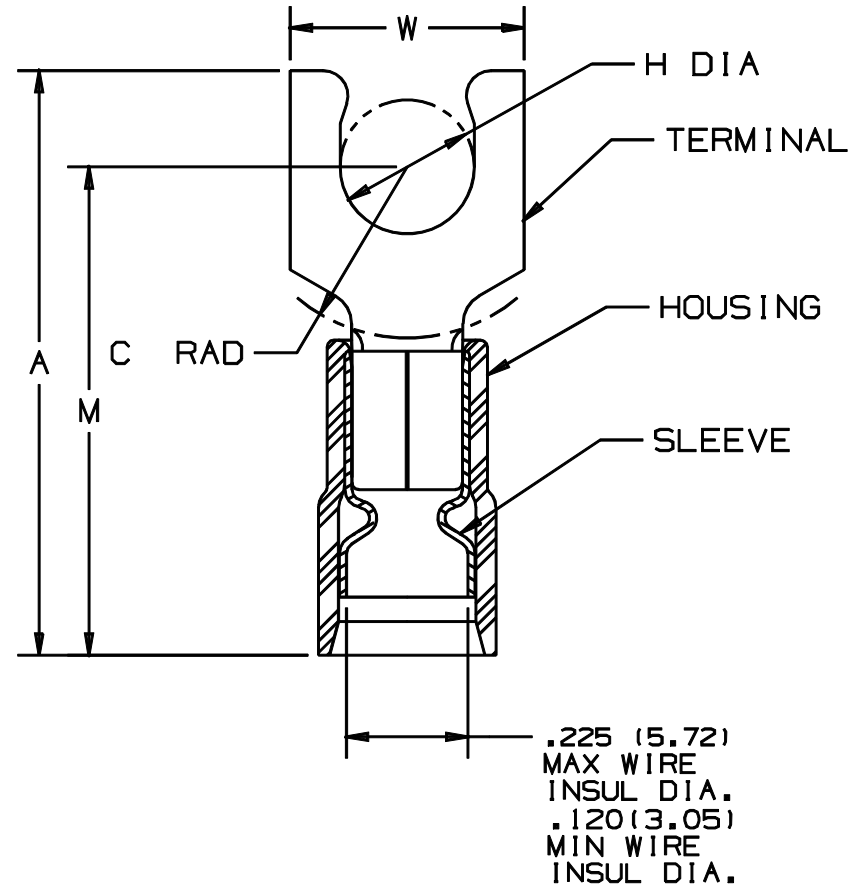


THIS COPY IS PROVIDED ON A RESTRICTED BASIS AND IS NOT TO BE USED IN ANY WAY DETRIMENTAL TO THE INTERESTS OF PANDUIT CORP.

PANDUIT PART NUMBER	STUD SIZE	DIMENSIONS in.				
		A ±.04	W ±.01	C ±.03	M ±.04	H ±.01
PNF10-5SLF	#5	.86 (21.84)	.25 (6.35)	.17 (4.32)	.75 (19.05)	.12 (3.05)
PNF10-6SLF	#6	.91 (23.11)	.25 (6.35)	.17 (4.32)	.75 (19.05)	.14 (3.56)
PNF10-8SLF	#8	.92 (23.37)	.29 (7.37)	.22 (5.59)	.79 (20.07)	.16 (4.06)
PNF10-10SLF	#10	.93 (23.62)	.33 (8.38)	.22 (5.59)	.79 (20.07)	.19 (4.83)
PNF10-14SLF	1/4"	1.02 (25.91)	.45 (11.43)	.28 (7.11)	.85 (21.59)	.25 (6.35)



NOTES :

- UL LISTED AND CSA CERTIFIED FOR :
 - 600 V MAX. VOLTAGE RATING (1000V. MAX. IN SIGNS, FIXTURES AND LUMINARIES)
 - 221°F (105°C) MAX. TEMP. RATING
 - #12-10 AWG STRANDED COPPER WIRE ONLY.
- PACKAGE QTY. : -L = 50
-D = 500
- MATERIAL :
 - STAMPING - .04" THK COPPER, TIN PLATED
 - HOUSING - YELLOW NYLON
 - SLEEVE - BRASS, TIN PLATED
- DIMENSIONS IN BRACKETS ARE IN MILLIMETERS
- INSTALLATION TOOLS :
CT-550, CT-1550, CT-1551
- WIRE STRIP LENGTH: 9/32" + 1/32"
- 0"



LISTED
587H
E52164



CERTIFIED
LR31212

A41584_03

03	1/01	RM		FILESPEC WAS N41584AA_PCD_02				PANDUIT CORP. TINLEY PARK, ILLINOIS			
02	5/99	ED		UPDATED "A"&"M" DIM.S. AND MODIFIED DIMENSIONAL TOLERANCES	07669						
01	12/96	JAMBRLS		ADDED DIM. "MIN WIRE INSUL DIA. UPDATED NOTES	05435	LA	DBH	#12-10 BARREL SHORT LOCKING FORK, NYLON INSULATED, FUNNELED WIRE ENTRY, .225 MAX WIRE INSULATION DIAMETER			
00	12/95	ED RLS		RELEASED	03816	LA	KS				
REV	DATE	BY	CHK	DESCRIPTION	ECN	CUST	PM	DRAWN BY EJD	CHK'D LA	SCALE NONE	DRAWING NO. A41584