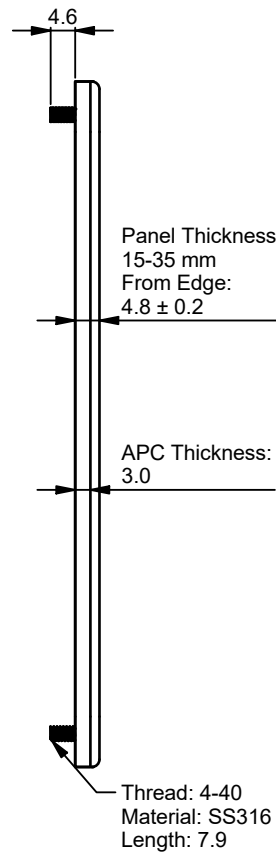
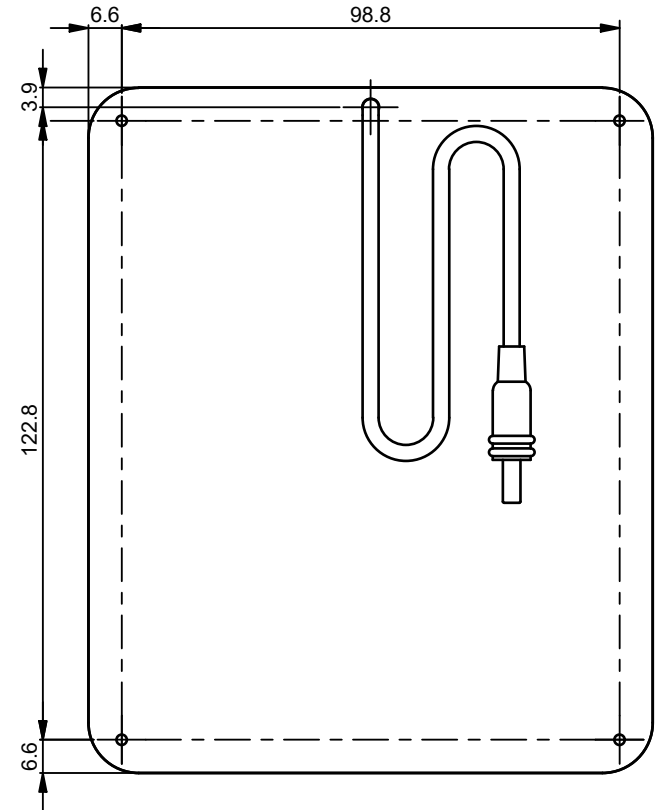


Front



Side



Back



Drawing Details

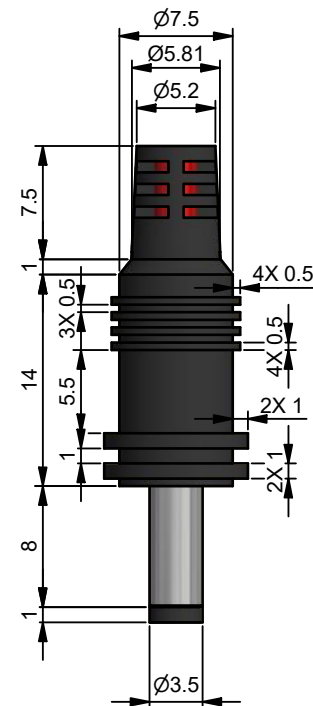
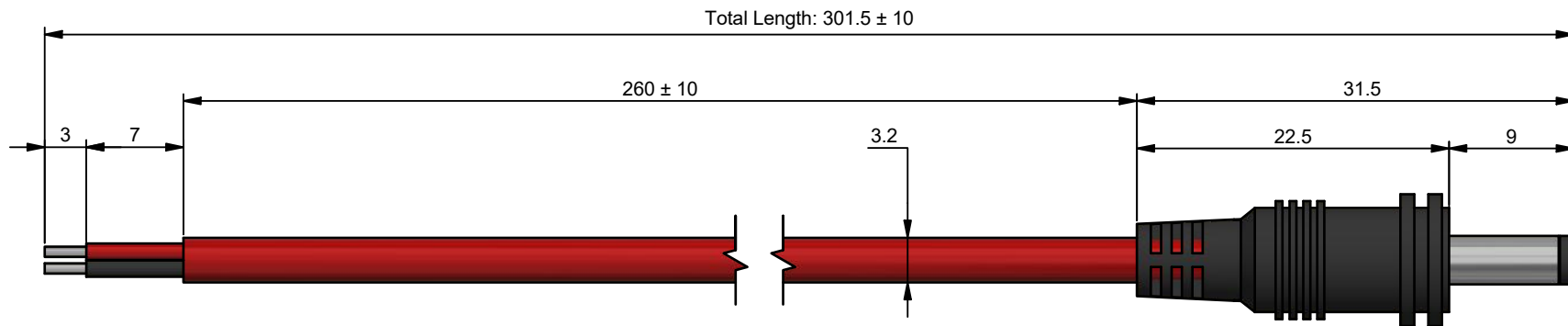
| | |
|----------------|--------------------|
| Panel Number: | P102 |
| Revision: | R3A |
| Engineer: | TK |
| Checked By: | SM |
| Date Created: | 2017-07-03 |
| Date Modified: | 2017-09-12 |
| Changes: | Production Release |
| Tolerance: | ± 0.3 |
| Units: | mm |
| Scale: | 1:1.5 |
| Sheet: | 1/2 |

Construction

| | |
|--------------------|----------------|
| All Materials | RoHS Compliant |
| Substrate: | Charcoal APC |
| Encapsulant: | Urethane |
| Top Layer: | Urethane |
| Wire Number: | W017 |
| Wire Length: | 260 ± 10 |
| Strain Relief: | N/A |
| Attachment: | 4X 4-40 Screws |
| Waterproof Rating: | IP67 |

Power Specifications

| | | | | |
|--|-----|-----------------|----------|---|
| Output Tolerance: ± 10% of Voltage and Current | | | | |
| Solar Cell: EEPV EE6E3C 3BB | | | | |
| Nominal Efficiency: ≥ 19.5% | | Cell Pieces: 12 | | |
| Panel Electrical Ratings | | Nominal | Expected | |
| Open-Circuit Voltage | Voc | 7.67 | 7.28 | V |
| Voltage at Max Power | Vp | 6.50 | 6.18 | V |
| Short-Circuit Current | Isc | 0.38 | 0.37 | A |
| Current at Max Power | Ip | 0.36 | 0.34 | A |
| Maximum Power | Wp | 2.32 | 2.09 | W |



Drawing Details

| | |
|----------------|------------|
| Wire Number: | W017 |
| Revision: | R1A |
| Engineer: | TK |
| Checked By: | SM |
| Date Created: | 2014-03-18 |
| Date Modified: | 2018-06-28 |
| Changes: | N/A |

Wire Details

| | |
|------------------------------|---------------|
| All Materials RoHS Compliant | |
| Length: | 260 ± 10 |
| Conductor Gauge: | 22 AWG |
| Connector: | M3511 |
| Crimp: | N/A |
| Jacket Color: | Red |
| Jacket Material: | PU |
| Insulator Colors: | Black and Red |
| Insulator Material: | PVC |

| | | | |
|------------|-------|--------|-----|
| Tolerance: | ± 0.3 | Units: | mm |
| Scale: | 2 | Sheet: | 2/2 |