

Customer Information Sheet

DRAWING No.: M80-273MAXX-XX-XX

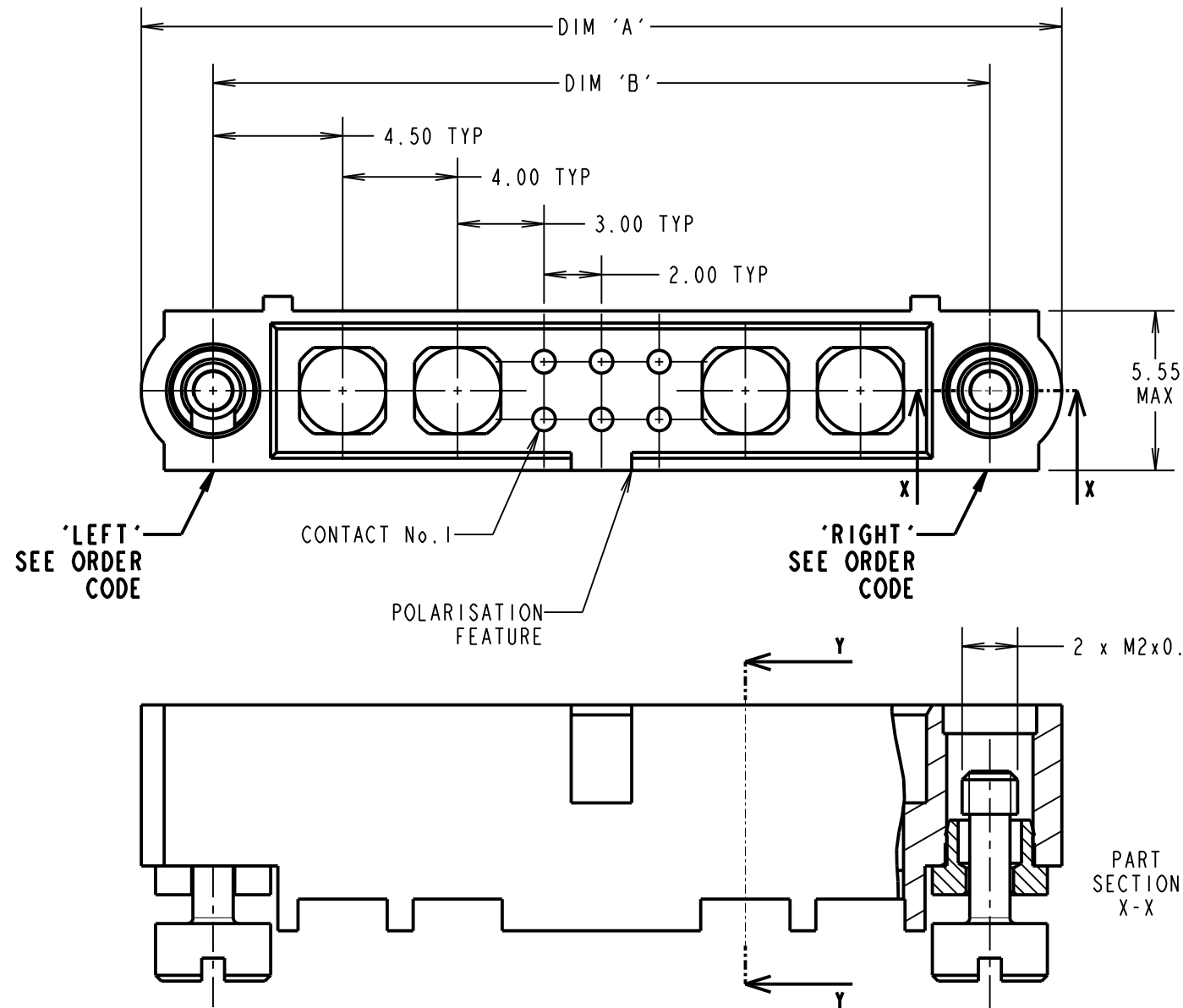
IF IN DOUBT - ASK

©

NOT TO SCALE

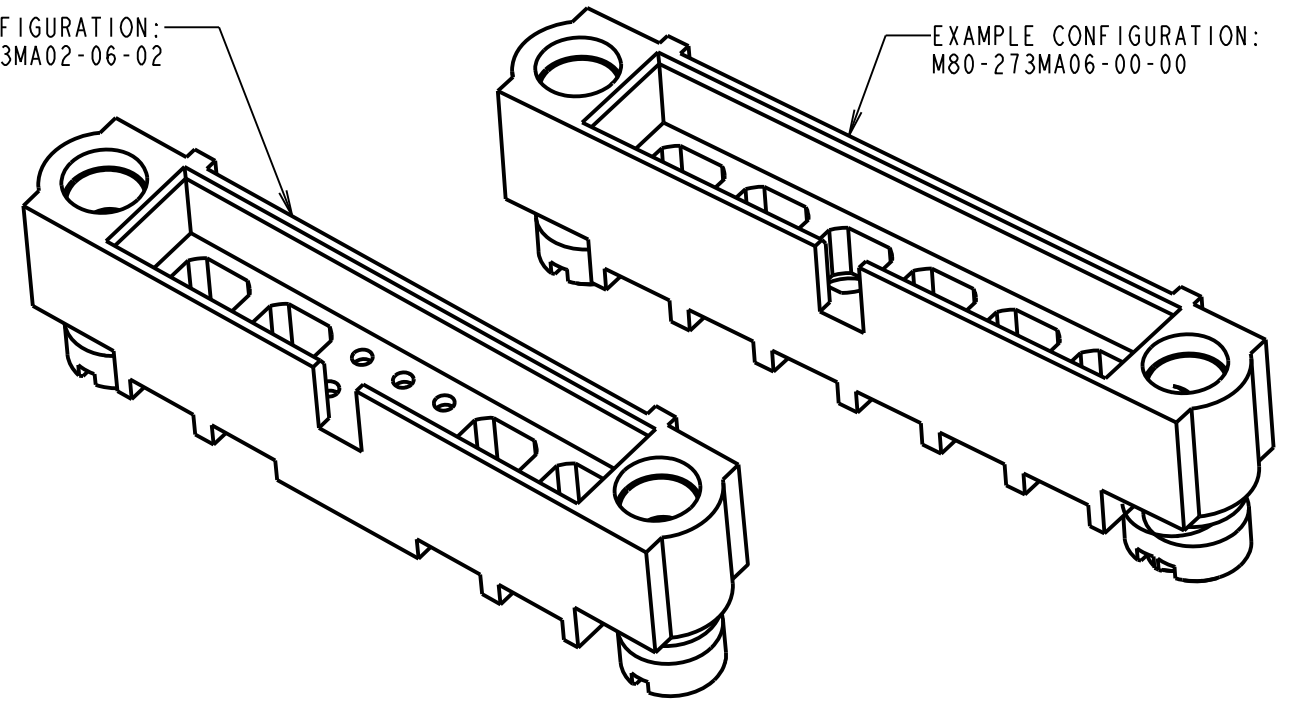
THIRD ANGLE PROJECTION

ALL DIMENSIONS IN mm



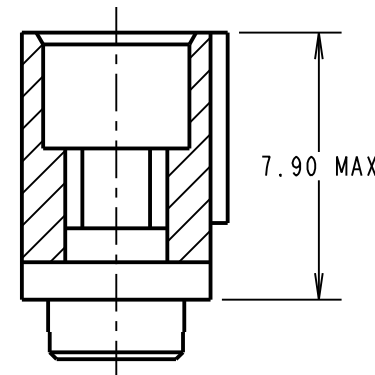
EXAMPLE CONFIGURATION:
M80-273MA02-06-02

EXAMPLE CONFIGURATION:
M80-273MA06-00-00



2 x M2x0.4
PART SECTION X-X

SECTION Y-Y



NOTES:

- CONNECTORS ARE SUPPLIED WITHOUT CONTACTS.
- SUITABLE FOR MALE CABLE POWER, COAXIAL AND SIGNAL DATAMATE CONTACTS - FOR MORE INFORMATION PLEASE VISIT HARWIN.COM.
- FOR MECHANICAL AND ELECTRICAL SPECIFICATION SEE COMPONENT SPECIFICATION C005XX (LATEST ISSUE).

DIMENSION	CALCULATIONS
DIM 'A'	$((4 \times \text{No. OF SPECIAL CONTACTS}) + \text{No. OF SIGNAL CONTACTS}) + 10.0$
DIM 'B'	$((4 \times \text{No. OF SPECIAL CONTACTS}) + \text{No. OF SIGNAL CONTACTS}) + 5.0$
<p>EXAMPLES: CONNECTOR WITH 02 LEFT (BEFORE No.1) SPECIAL CONTACTS, 06 SIGNAL CONTACTS AND 02 RIGHT (AFTER No.1) SPECIAL CONTACTS, M80-273MA02-06-02 DIM 'A' = 32.0mm, DIM 'B' = 27.0mm</p> <p>CONNECTOR WITH NO SIGNAL CONTACTS, AND 06 SPECIAL CONTACTS, M80-273MA06-00-00 DIM 'A' = 34.0mm, DIM 'B' = 29.0mm</p>	

ORDER CODE:

M80-273MAXX-XX-XX

TOTAL No. OF SPECIAL CONTACTS BEFORE No.1 (**LEFT**):
00 TO 12

TOTAL No. OF SPECIAL CONTACTS AFTER No.1 (**RIGHT**):
00 TO 12

TOTAL No. OF SIGNAL CONTACTS:
00 TO 50 (EVEN NUMBERS ONLY)

SINGLE SPECIAL CONTACT HAS EQUIVALENT FOOTPRINT OF 4 SIGNAL CONTACTS. EACH MOULDING CAN HOUSE A MAXIMUM OF 50 SIGNAL CONTACTS PROVIDING THERE ARE NO SPECIAL CONTACTS, OR 12 SPECIAL CONTACTS PROVIDING THERE ARE NO SIGNAL CONTACTS, AND ALL CONFIGURATIONS BETWEEN.

IF THERE ARE NO SIGNAL CONTACTS, USE ONLY THE FIRST SPECIAL CONTACT QTY I.E. M80-273MAXX-00-00

RA	3	18.11.20	30290
NAME	ISS.	DATE	CN/CO
APPROVED: R.ALEXANDER			
CHECKED: R.PORTLOCK			
DRAWN: R.PORTLOCK			
CUSTOMER REF.:			
ASSEMBLY DRG:			

HARWIN

www.harwin.com
technical@harwin.com

THIS DRAWING AND ANY INFORMATION OR DESCRIPTIVE MATTER SET OUT HEREON ARE CONFIDENTIAL AND COPYRIGHT PROPERTY OF THE HARWIN GROUP AND MUST NOT BE DISCLOSED, LOANED, COPIED OR USED FOR MANUFACTURING, TENDERING OR FOR ANY OTHER PURPOSE WITHOUT THEIR WRITTEN PERMISSION.

TOLERANCES

X. = ±1mm
X.X = ±0.50mm
X.XX = ±0.20mm
X.XXX = ±0.01mm
ANGLES = ±5°
UNLESS STATED

MATERIAL:

SEE ABOVE

FINISH:

SEE ABOVE

S/AREA:

- mm²

TITLE:

JACKSCREW DATAMATE MIXED TECHNOLOGY MALE CRIMP MOULDING WITH HARDWARE

DRAWING NUMBER:

M80-273MAXX-XX-XX

SHT
2 OF 2