



Product Discontinuation Notification

PDN#21-13- The listed KT11 part numbers EOL with replacement

C&K

Office 1007-8, 10/F, Harcourt House, 39 Gloucester Road, Wanchai, Hong Kong
Tel: +852 3713 5288 ckswitches.com

Document subject to change without prior notice



Document revision

Revision	Date	Description	Author
A	2021/5/13	The listed KT11 part numbers end of life with replacement	Daisy Liu

C&K

Office 1007-8, 10/F, Harcourt House, 39 Gloucester Road, Wanchai, Hong Kong
Tel: +852 3713 5288 ckswitches.com

Document subject to change without prior notice



Summary

1. Purpose	4
2. Discontinuation details.....	4
2.1 Part References affected.....	4
2.2 Possible replacement	4
2.3 Reason for discontinuation	4
3. Date of application.....	5
4. Acknowledgement	5
5. Support	5

C&K

Office 1007-8, 10/F, Harcourt House, 39 Gloucester Road, Wanchai, Hong Kong
Tel: +852 3713 5288 ckswitches.com

Document subject to change without prior notice

1. Purpose

This notification is to announce the discontinuation of below listed P/Ns in KT11 series.

2. Discontinuation details

2.1 Part References affected

ITEM NUMBER	CATALOGUE PART NUMBER	Replacement (1)	Replacement (2)
YT1063570FP LFS	KT11P4SA3M34LFS	KT11B2SA3M34LFS	KT11P4SA2M34LFS
YT1064770FP LFG	KT11P4SA3M35LFG	KT11B2SA3M35LFG	KT11P4SA2M35LFG
YT1064770FPLFGM	KT11P4SA3M35LFG-M	KT11B2SA3M35LFG-M	KT11P4SA2M35LFG-M

2.2 Possible replacement

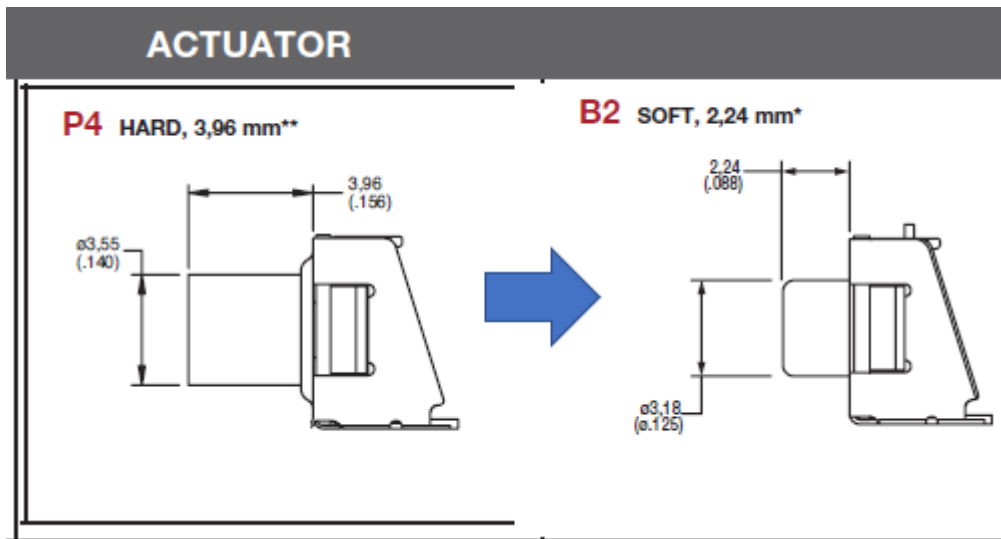
Refer to 2.1

2.3 Reason for discontinuation

With the world’s widest selection of switch products it is critical that we keep our Portfolio current and relevant to our customers. The above listed part numbers P4SA3M combination was created for some special customer demands some years ago but where not in our catalogue, so they are not as popular as our standard parts. As such they are no longer commercially viable to produce and will be EOL with replacement 2 possible close alternatives:

Close Alternative (1): Same layout but different actuator.

The difference between the P4SA3M version and replacement(1) B2SA3M version is: P4 version is hard actuator 3.96mm, while the B2 version is the soft actuator 2.24mm.

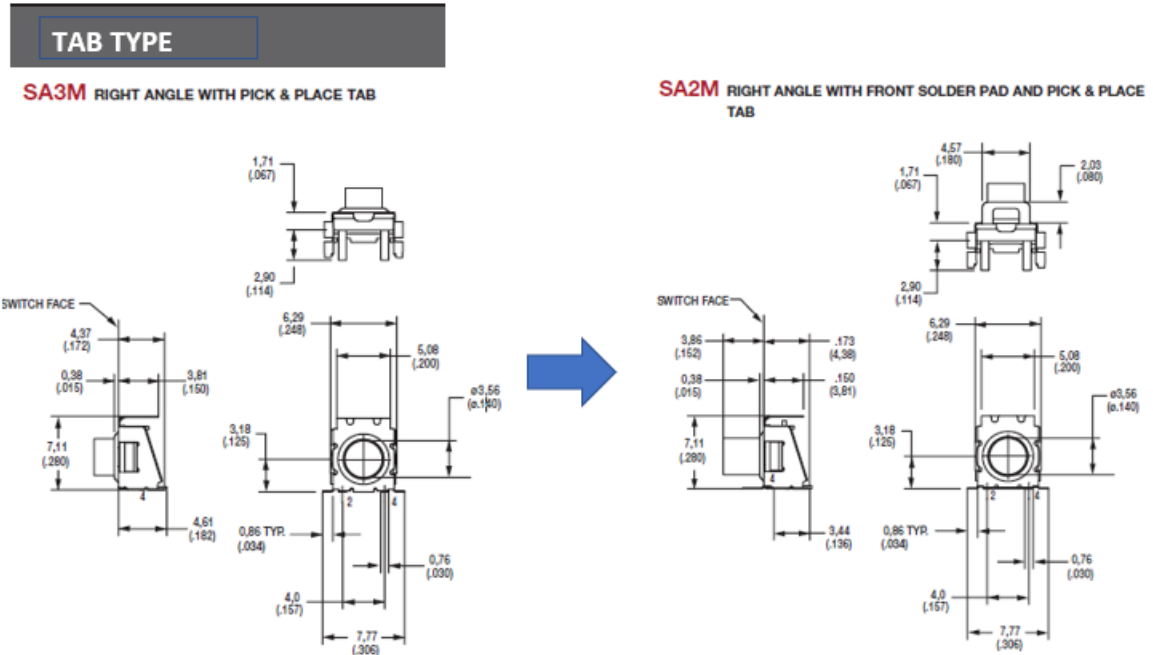


C&K

Office 1007-8, 10/F, Harcourt House, 39 Gloucester Road, Wanchai, Hong Kong
 Tel: +852 3713 5288 ckswitches.com

Document subject to change without prior notice

Close Alternative (2) Same actuator but different TAB with request more space on the PCB
The difference between the P4SA3M version and replacement(2) P4SA2M version is: P4SA3M version does not have a front solder pad, while the P4SA2M version has a front solder pad which provides better co-planarity during soldering process but requires a little more space on the PCB.



3. Date of application

- Last Time Buy: 30th Nov, 2021
- Last Delivery: 30th May, 2022
- Date of Discontinuation: 30th May, 2022

4. Acknowledgement

We kindly ask you to acknowledge this information to your Sales Representative.

5. Support

For any question, please contact your C&K regional sales representative.

C&K

Office 1007-8, 10/F, Harcourt House, 39 Gloucester Road, Wanchai, Hong Kong
Tel: +852 3713 5288 ckswitches.com

Document subject to change without prior notice