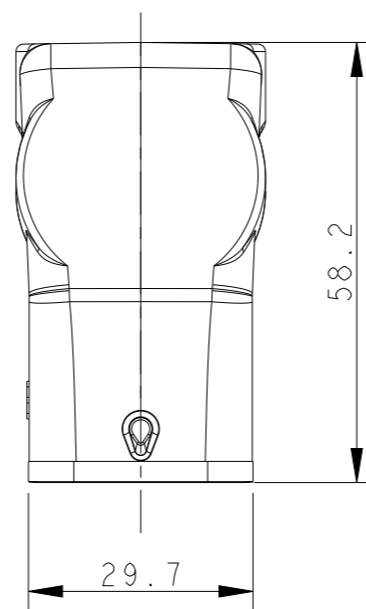
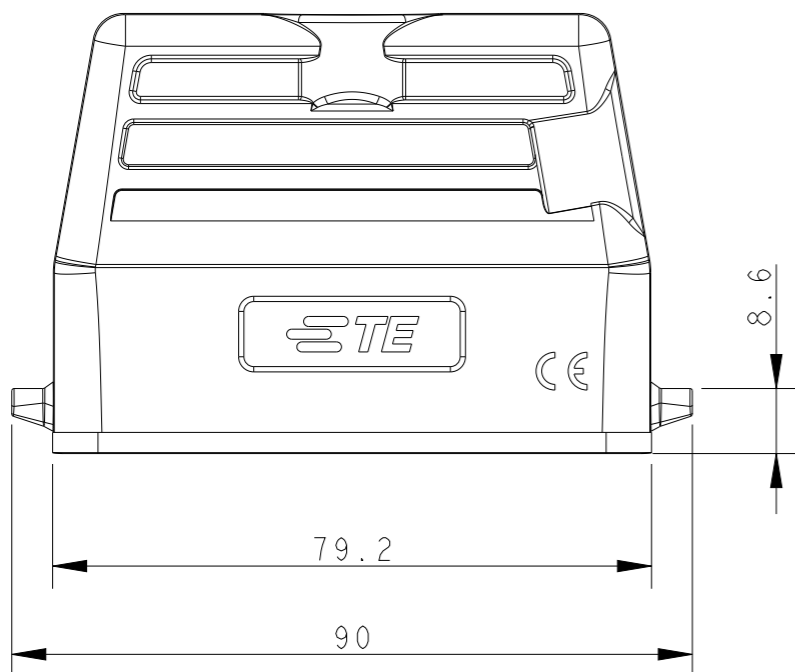
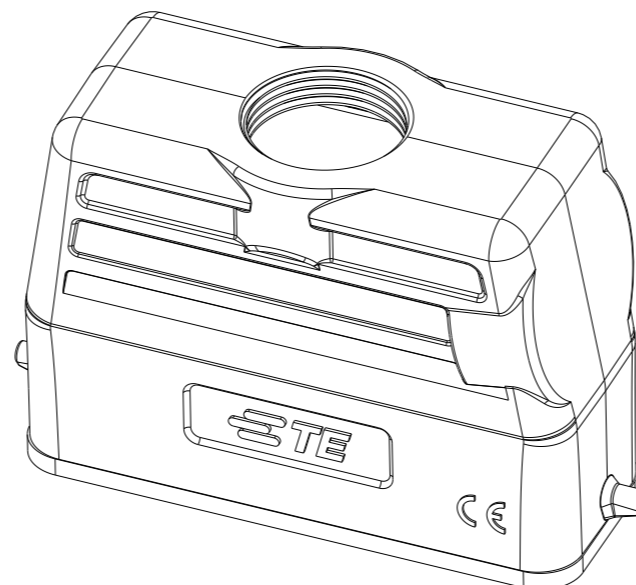
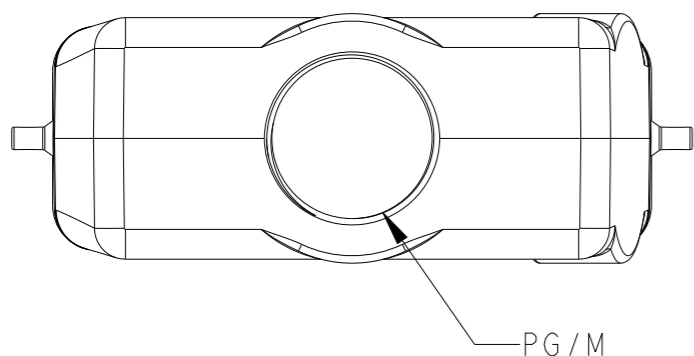


REVISIONS

P	LTR	DESCRIPTION	DATE	DWN	APVD
	A	INITIAL RELEASE	07MAY2015	DL	CW
	B	ECR-20-009510	28DEC2020	BS	CW
	BI	ECR-21-105988	28JUL2021	BS	CW

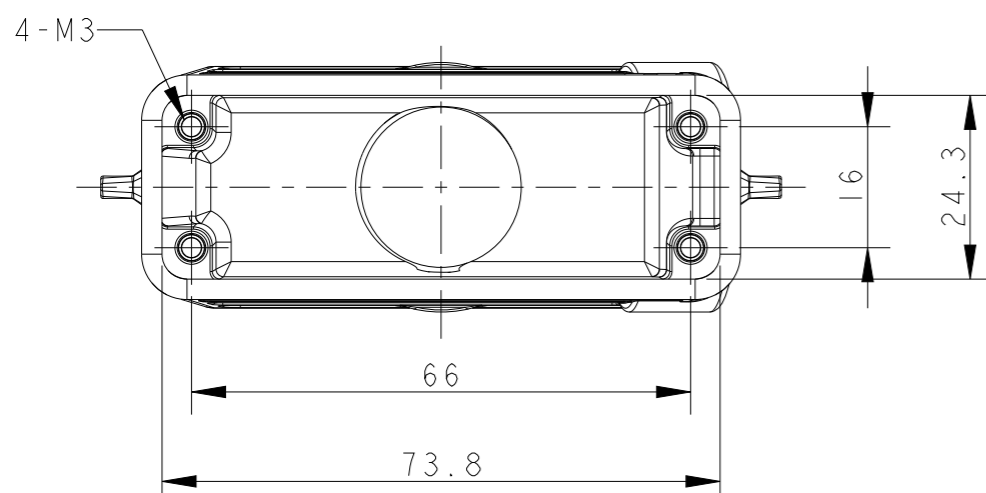


NOTES:

- 1. TECHNICAL CHARACTERISTICS:  
 BODY MATERIAL: DIE CAST ALUMINIUM ALLOY  
 SURFACE TREATMENT: POWDER-COATED, GRAY  
 DEGREE OF PROTECTION: IP65 (MATED)

注释:

- 1. 技术参数:  
 主体材料: 铝合金  
 表面处理: 粉末喷涂, 灰色  
 防护等级: IP65(配合)



T1329160116-000	H16A-TG-PG16	PG16
T1329160120-000	H16A-TG-M20	M20
T1329160121-000	H16A-TG-PG21	PG21
T1329160125-000	H16A-TG-M25	M25
ASSEMBLY PART NUMBER	ASSEMBLY PART DESCRIPTION	PG/M

THIS DRAWING IS A CONTROLLED DOCUMENT.		DWN	DAVID LI	07MAY2015	<b>STE</b> TE Connectivity												
DIMENSIONS: mm		CHK	CHRIS WANG	07MAY2015													
TOLERANCES UNLESS OTHERWISE SPECIFIED:		APVD	XU XIANG	07MAY2015													
<table border="0"> <tr><td>0 PLC</td><td>±-</td></tr> <tr><td>1 PLC</td><td>±-</td></tr> <tr><td>2 PLC</td><td>±-</td></tr> <tr><td>3 PLC</td><td>±-</td></tr> <tr><td>4 PLC</td><td>±-</td></tr> <tr><td>ANGLES</td><td>±-</td></tr> </table>		0 PLC	±-	1 PLC		±-	2 PLC	±-	3 PLC	±-	4 PLC	±-	ANGLES	±-	PRODUCT SPEC	NAME	
0 PLC	±-																
1 PLC	±-																
2 PLC	±-																
3 PLC	±-																
4 PLC	±-																
ANGLES	±-																
MATERIAL		APPLICATION SPEC		SIZE		CAGE CODE	DRAWING NO	RESTRICTED TO									
-		114-137010		A3		-	©-T13291601XX000										
-		FINISH		WEIGHT		CUSTOMER DRAWING		SCALE									
-		-		-		1:1		SHEET									
						1 OF 1		REV									
								BI									