

# MVA. Vertical toggle clamps

with folded base, steel or stainless steel



- 1
- 2
- 3
- 4
- 5
- 6
- 7
- 8
- 9
- 10
- 11
- 12
- 13
- 14
- 15
- 16
- 17
- 18

## STANDARD EXECUTIONS

- **MVA-A:** C10 zinc-plated steel, zinc-plated steel rivets.  
Open clamping lever and two folded washers.
- **MVA-E:** C10 zinc-plated steel, zinc-plated steel rivets.  
Solid clamping lever and bolt retainer.
- **MVA-AX:** AISI 304 stainless steel.  
Open clamping lever and two folded washers.
- **MVA-EX:** AISI 304 stainless steel.  
Solid clamping lever and bolt retainer.

## SUPPORT BUSHING

Ground and hardened steel.

## HANDLE

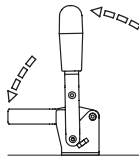
Polyurethane, red colour.

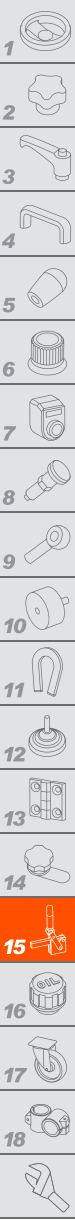
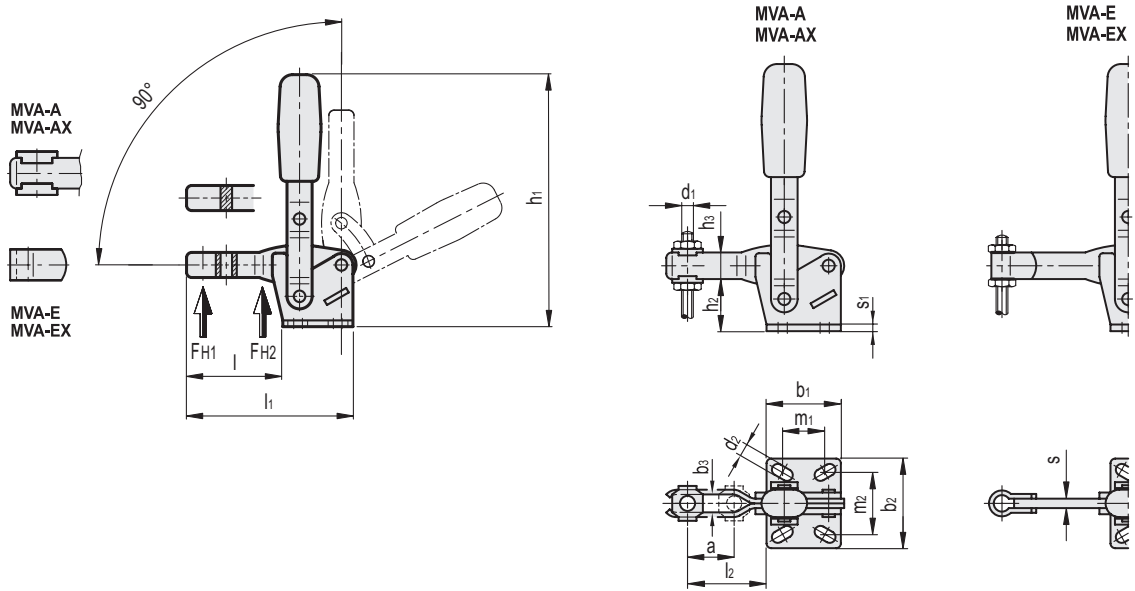
## CLAMPING BOLTS

To be ordered separately.

## FEATURES AND APPLICATIONS

All articulated joints are lubricated with special grease. During clamping, the lever is controlled to prevent impact on functioning due to side thrust. The new geometry of MVA vertical toggle clamps gives them additional strength, their lifespan is significantly increased with the addition of hardened steel support bushings as well as several other forms of reinforcement. Slotted assembly holes for applications in inches.





MVA-A

METRIC

| Code     | Description | a  | b1 | b2 | b3   | d1  | d2   | h1  | h2   | h3 | l    | l1    | l2   | m1      | m2    | s1  | FH1 [N]* | FH2 [N]* | ⚖️   |
|----------|-------------|----|----|----|------|-----|------|-----|------|----|------|-------|------|---------|-------|-----|----------|----------|------|
| GG.AA520 | MVA.75-A    | 20 | 29 | 34 | 5.2  | M5  | 4.5  | 98  | 20.5 | 11 | 37.5 | 66.5  | 31.5 | 15+16   | 24    | 2   | 750      | 1600     | 98   |
| GG.AA530 | MVA.130-A   | 28 | 35 | 42 | 6.2  | M6  | 5.5  | 142 | 28   | 16 | 50   | 85    | 42   | 12.5+19 | 27+29 | 2.5 | 1050     | 1750     | 230  |
| GG.AA540 | MVA.230-A   | 40 | 43 | 45 | 8.5  | M8  | 6.5  | 168 | 33.5 | 18 | 67.5 | 110.5 | 58   | 19+20   | 32    | 3   | 2000     | 3200     | 380  |
| GG.AA550 | MVA.330-A   | 43 | 50 | 65 | 10.5 | M10 | 8.5  | 195 | 43   | 22 | 79   | 129   | 76   | 29+32   | 45+46 | 3.5 | 2400     | 4000     | 604  |
| GG.AA560 | MVA.430-A   | 64 | 58 | 65 | 12.5 | M12 | 8.5  | 247 | 55.5 | 26 | 106  | 164   | 104  | 32      | 45    | 4   | 2800     | 5000     | 1100 |
| GG.AA570 | MVA.530-A   | 90 | 80 | 95 | 12.5 | M12 | 12.5 | 303 | 84.5 | 32 | 143  | 223   | 144  | 50+51   | 70    | 7   | 4500     | 8750     | 2110 |

MVA-E

METRIC

| Code     | Description | b1 | b2 | d1  | d2   | h1  | h2   | h3 | l    | l1    | m1      | m2    | s  | s1  | FH1 [N]* | FH2 [N]* | ⚖️   |
|----------|-------------|----|----|-----|------|-----|------|----|------|-------|---------|-------|----|-----|----------|----------|------|
| GG.AA524 | MVA.75-E    | 29 | 34 | M5  | 4.5  | 98  | 20.5 | 11 | 38   | 67    | 15+16   | 24    | 4  | 2   | 750      | 1600     | 100  |
| GG.AA534 | MVA.130-E   | 35 | 42 | M6  | 5.5  | 142 | 28   | 16 | 51   | 86    | 12.5+19 | 27+29 | 5  | 2.5 | 1050     | 1750     | 235  |
| GG.AA544 | MVA.230-E   | 43 | 45 | M8  | 6.5  | 168 | 33.5 | 18 | 69   | 112   | 19+20   | 32    | 6  | 3   | 2000     | 3200     | 390  |
| GG.AA554 | MVA.330-E   | 50 | 65 | M10 | 8.5  | 195 | 42   | 20 | 80.5 | 130.5 | 29+32   | 45+46 | 7  | 3.5 | 2400     | 4000     | 604  |
| GG.AA564 | MVA.430-E   | 58 | 65 | M12 | 8.5  | 247 | 55.5 | 26 | 108  | 166   | 32      | 45    | 10 | 4   | 2800     | 5000     | 1100 |
| GG.AA574 | MVA.530-E   | 80 | 95 | M12 | 12.5 | 303 | 84.5 | 32 | 145  | 225   | 50+51   | 70    | 10 | 7   | 4500     | 8750     | 2110 |

MVA-AX

INOX STAINLESS STEEL

METRIC

| Code     | Description | a  | b1 | b2 | b3  | d1 | d2  | h1  | h2   | h3 | l    | l1    | l2   | m1      | m2    | s1  | FH1 [N]* | FH2 [N]* | ⚖️  |
|----------|-------------|----|----|----|-----|----|-----|-----|------|----|------|-------|------|---------|-------|-----|----------|----------|-----|
| GG.AS095 | MVA.75-AX   | 20 | 29 | 34 | 5.2 | M5 | 4.5 | 98  | 20.5 | 11 | 37.5 | 66.5  | 31.5 | 15+16   | 24    | 2   | 750      | 1600     | 98  |
| GG.AS150 | MVA.130-AX  | 28 | 35 | 42 | 6.5 | M6 | 5.5 | 142 | 28   | 16 | 50   | 85    | 42   | 12.5+19 | 27+29 | 2.5 | 1050     | 1750     | 230 |
| GG.AS180 | MVA.230-AX  | 40 | 43 | 45 | 8.5 | M8 | 6.5 | 168 | 33.5 | 18 | 67.5 | 110.5 | 58   | 19+20   | 32    | 3   | 2000     | 3200     | 380 |

MVA-EX

INOX STAINLESS STEEL

METRIC

| Code     | Description | b1 | b2 | d1 | d2  | h1  | h2   | h3 | l  | l1  | m1      | m2    | s | s1  | FH1 [N]* | FH2 [N]* | ⚖️  |
|----------|-------------|----|----|----|-----|-----|------|----|----|-----|---------|-------|---|-----|----------|----------|-----|
| GG.AS105 | MVA.75-EX   | 29 | 34 | M5 | 4.5 | 98  | 20.5 | 11 | 38 | 67  | 15+16   | 24    | 4 | 2   | 750      | 1600     | 100 |
| GG.AS160 | MVA.130-EX  | 35 | 42 | M6 | 5.5 | 142 | 28   | 16 | 51 | 86  | 12.5+19 | 27+29 | 5 | 2.5 | 1050     | 1750     | 235 |
| GG.AS190 | MVA.230-EX  | 43 | 45 | M8 | 6.5 | 168 | 33.5 | 18 | 69 | 112 | 19+20   | 32    | 6 | 3   | 2000     | 3200     | 390 |

\* Holding force.

