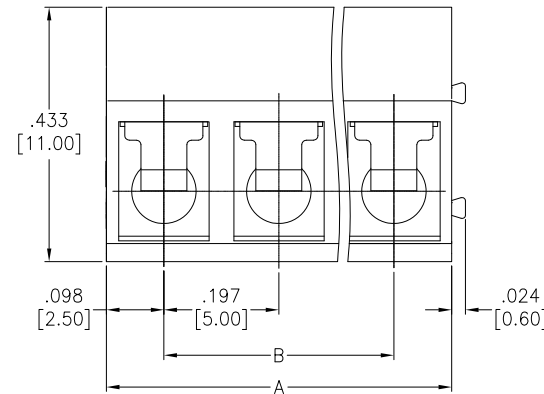
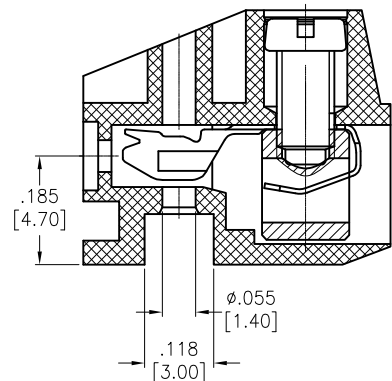
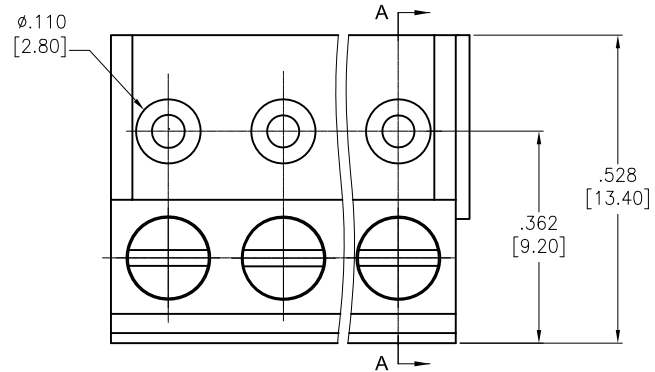


APPROVED: \_\_\_\_\_  
 DATE: \_\_\_\_\_ TITLE: \_\_\_\_\_

Rev	AWO #	Description	Date	Appr
-		RELEASED	3/12/15	
A		UPDATED DRAWING	6/12/17	HR/AC



**SPECIFICATIONS:**  
 Material:  
 Insulator: PA66, rated UL 94V-0  
 Insulator color: Black  
 Clamp: Phosphor Bronze, Nickel plated  
 Cage: Brass, Nickel plated  
 Screw: M2.5 Steel, Zinc plated  
 Electrical:  
 Voltage rated: 300 V  
 Current rated: 10 A  
 Contact resistance: 20 mΩ  
 Insulation resistance: 500 MΩ @ 500 VDC  
 Wire range: 28-16AWG, 1.5mm<sup>2</sup>  
 Withstanding voltage: 2000V AC/1 Min  
 Torque: 0.4N-m, 3.6 Lb-In  
 Strip length: 4.5-5mm  
 Temperature Rating:  
 Operating temperature: -30°C to +120°C  
 Environmental:  
 Lead free, RoHS compliant.

SECTION A-A

Positions: 2 thru 24  
 A = .197 [5.00] x No. of Positions  
 B = .197 [5.00] x No. of Spaces

UNLESS OTHERWISE SPECIFIED ALL DIMENSIONS ARE INCHES [MM] TOLERANCES: EXCEPT AS NOTED INCHES HOLES .X ± .10 Ø.X ± .10 .XX ± .020 Ø.XX ± .015 .XXX ± .015 Ø.XXX ± .010			<b>ADAM TECH</b> 909 Rahway Avenue, Union, NJ 07083 Phone: 908-687-5000 Fax: 908-687-5710		
APPROVALS			DATE		
DRAWN	AY		3/12/15		
CHECKED	YC		3/12/15		
APPROVED					
TITLE		EURO BLOCK, .197 [5.00] PITCH			
SIZE	PART NO.			REV.	
X	EBJA-XX-C-BK			A	
REF:	S00067C	SCALE:	NTS	SHEET 1 OF 1	

