

<b>NO:</b> FS - 023	<b>PRODUCT:</b> HVC-P – Human Vision Component
<b>DATE:</b> August 2018	<b>TYPE:</b> Discontinuation – Streamline Product Offering

## HVC-P Human Vision Component – Discontinued Immediately

In an effort to streamline our product offering and focus on popular models of Omron’s line of Human Vision Components, Omron will discontinue the HVC-P Human Vision Component **effective immediately**. The suggested replacement will be our HVC-P2, models B5T-007001-010/020. Please carefully read through this notification and note the differences. The following details will fully explain the discontinuation and suggested replacement considerations; should you have any additional questions, however, please communicate with the Sensor Product Specialist.

<p><b>Discontinued Product</b> Human Vision Component HVC-P2</p> <p> <b>Model B5T – 001001 (G)</b></p> <p><b>Model B5T – E-001-S (G)</b></p>		<p><b>Suggested Replacement</b> Human Vision Component HVC-P2</p> <p><b>Model B5T-007001-010</b></p> <p><b>Model B5T-007001-020</b></p>
--	---	---

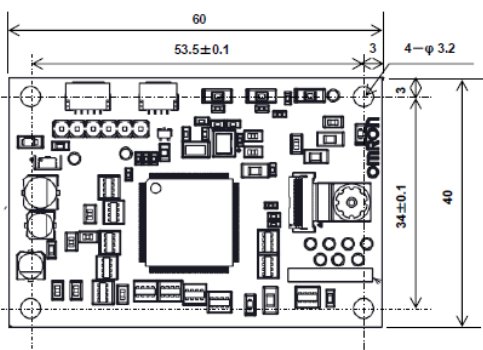

**Differences from discontinued product:**

Recommended replacement Model	Body Color	Dimen-sions	Wire connection	Mounting Dimensions	Charact-eristics	Operation ratings	Operation methods
B5T-007001-010/-020	-	-	-	-	*	*	*

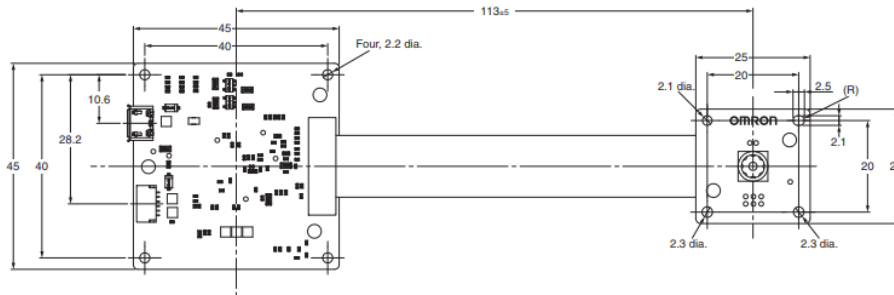
- \*\* : Compatible
- \* : The change is a little/Almost compatible
- : Not compatible
- : No corresponding specification



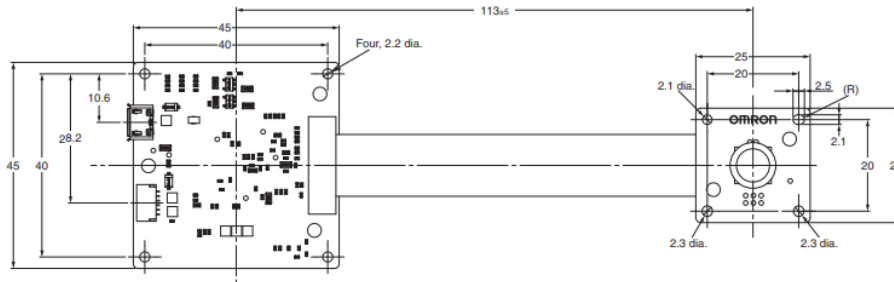
**Dimensions:**

Discontinued Product Model B5T-001001(G)/B5T-E-001-S(G)	Suggested Replacement Model B5T-007001-010/020
<p><b>Dimensions</b></p> <p>Front</p>  <p>Side</p> 	<p><b>Dimensions</b></p>

**Front**  
Horizontal angle of view 50°  
B5T-007001-010



Horizontal angle of view 90°  
B5T-007001-020



**Side**  
Horizontal angle of view 50°  
B5T-007001-010



Horizontal angle of view 90°  
B5T-007001-020



**Characteristics:**

Item	Discontinued Product Model B5T-001001(G)/B5T-E-001-S(G)	Suggested Replacement Model B5T-007001-010/020
Power supply voltage	5V ±10%	5V ±10%
Current consumption	Less than 0.25 A	Less than 0.4A
Operating temperature	0 to +50°C	0 to +50°C
Operating humidity	Below 90% RH	Below 90% RH
Storage temperature	-30 to +70°C	-30 to +70°C
Storage humidity	Below 90% RH	Below 90% RH

**Operation ratings:**

Discontinued Product Model B5T-001001(G)/B5T-E-001-S(G)	Suggested Replacement Model B5T-007001-010/020
<b>Image Sensing Functions</b> Human Body Detection, Face Detection, Hand Detection , Face Direction Estimation, Gaze Estimation, Blink Estimation, Age Estimation, Gender Estimation, Expression Estimation, Face Recognition	<b>No change.</b>

**Operation methods:**

Discontinued Product Model B5T-001001(G)/B5T-E-001-S(G)	Suggested Replacement Model B5T-007001-010/020
<b>Method of operation</b> Receives a command to control this product from the host, and sends the result detected by this product etc. to the host.	<b>Method of operation</b> Receives a command to control this product from the host, and sends the result detected by this product etc. to the host. The commands are different from the original HVC-P versions.

\* Sales teams should communicate this discontinuation with their OEM's and CEM's.  
For further technical support and any questions, please communicate with Product Marketing.

Specifications in this product news are as of the issue date and are subject to change without notice.  
Only main changes in specifications are described in this document. Please be sure to read the relevant catalogs, datasheets, product specifications, instructions, and manuals for precautions and necessary information when using products.

This PCN is intended for use in the Americas  
Last time buy dates are subject to change based on availability