

AOC-S-S-25G-10M-C

Arista Networks® AOC-S-S-25G-10M Compatible TAA Compliant 25GBase-AOC SFP28 to SFP28 Active Optical Cable (850nm, MMF, 10m)

Features

- Hot-pluggable SFP28 form factor
- Supports 25Gbps data rate
- Maximum link length of 10m DAC
- 850nm VCSEL laser and PIN photo-detector
- Internal CDR on both Transmitter and receiver channel
- Single 3.3V power supply
- Power dissipation < 1W
- Digital diagnostics functions are available via the I2C interface
- RoHS-6 compliant
- Commercial case temperature range: 0°C to 70°C

Application

- 25Gbase-SR Ethernet

Product Description

This is an Arista Networks® AOC-S-S-25G-10M compatible 25GBase-AOC SFP28 to SFP28 active optical cable that operates over multi-mode fiber with a maximum reach of 10.0m (32.8ft). At a wavelength of 850nm, it has been programmed, uniquely serialized, and data-traffic and application tested to ensure it is 100% compliant and functional. This active optical cable is TAA (Trade Agreements Act) compliant, and is built to comply with MSA (Multi-Source Agreement) standards. We stand behind the quality of our products and proudly offer a limited lifetime warranty.

ProLabs' active optical cables are RoHS compliant and lead free.

TAA refers to the Trade Agreements Act (19 U.S.C. & 2501-2581), which is intended to foster fair and open international trade. TAA requires that the U.S. Government may acquire only "U.S. – made or designated country end products."



Recommended Operating Conditions

Parameter	Symbol	Min	Typ.	Max.	Unit
Storage Temperature	Tstg	-40		85	°C
Operating Case Temperature	Tc	0		70	°C
Power Supply Voltage	Vcc	3.13	3.3	3.47	V

Absolute Maximum Ratings

Parameter	Symbol	Min	Typ.	Max.	Unit
Supply Voltage	Vcc	0		3.6	V
Storage Temperature	Tstg	-40		85	°C
Operating Humidity	RHop	5		85	%

Optical Characteristics

Parameter	Symbol	Min.	Typ.	Max.	Unit	Notes
Transmitter						
Data Rate	BR		25.78		Gbps	
Center Wavelength	λ_C	840	850	860	nm	
Spectral Width (-20dB)	$\Delta\lambda$			0.6	nm	
Average Output Power	P_{avg}	-8.4		2.4	dBm	
Optical Power OMA	POMA	-6.4		3	dBm	
Extinction Ratio	ER	2			dB	
Differential Data Input Swing	$V_{IN,pp}$	40		1000	mV	
Input Differential Impedance	ZIN	90	100	110	Ω	
Tx_Disable	Disable		2.0	Vcc	V	
	Enable		0	0.8	V	
Tx_Fault	Fault		2.0	Vcc	V	
	Normal		0	0.8	V	
Receiver						
Data Rate	BR		25.78		Gbps	
Center Wavelength	λ_C	840	850	860	nm	
Receiver Sensitivity (OMA)	S			-10	dBm	
Stressed Sensitivity (OMA)				-5.2	dBm	
Receiver Power (OMA)				3	dBm	
LOS De-Assert	LOSD			-13	dBm	
LOS Assert	LOSA	-30			dBm	
LOS Hysteresis		0.5			dB	
Differential Data Output Swing	$V_{OUT,pp}$	500		1130	mV	
LOS	High		2.0	Vcc	V	
	Low			0.8	V	

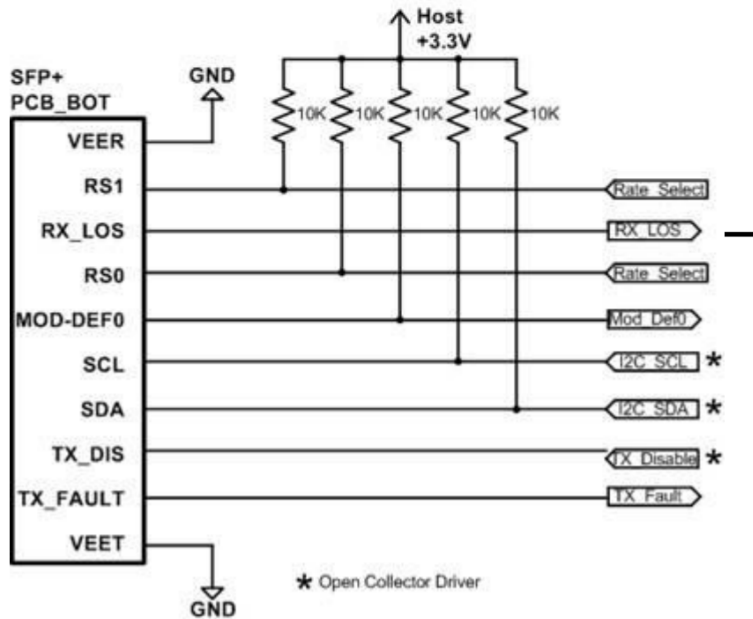
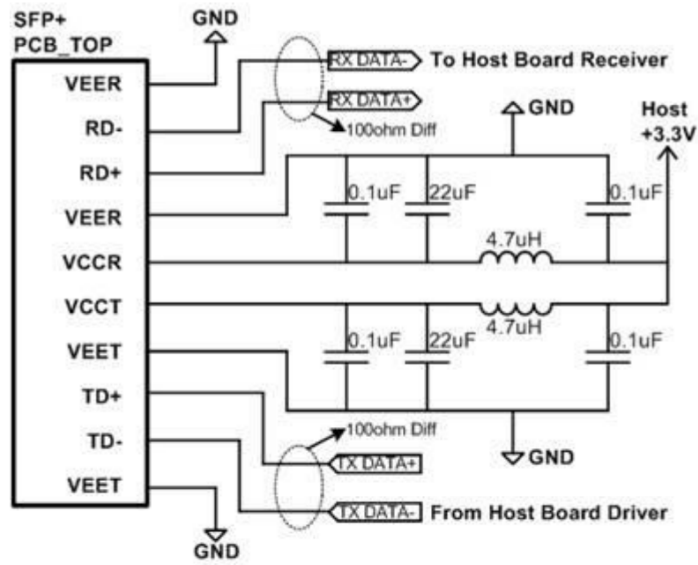
Pin Descriptions

Pin	Logic	Symbol	Name/Description	Notes
1		VeeT	Transmitter Ground.	
2	LVTTTL-O	Tx_Fault	N/A.	1
3	LVTTTL-I	Tx_Disable	Transmitter Disable.	
4	LVTTTL-I/O	SDA	2-Wire Serial Interface Data.	
5	LVTTTL-I	SCL	2-Wire Serial Interface Clock.	
6		MOD_DEF(0)	Module present. Connect to VeeT.	
7	LVTTTL-I	RS0	N/A.	1
8	LVTTTL-O	LOS	Loss of Signal.	
9	LVTTTL-I	RS1	N/A.	1
10		VeeR	Receiver Ground.	
11		VeeR	Receiver Ground.	
12	CML-O	RD-	Receiver Data Inverted.	
13	CML-O	RD+	Receiver Data Non-Inverted.	
14		VeeR	Receiver Ground.	
15		VccR	+3.3V Receiver Supply.	
16		VccT	+3.3V Transmitter Supply.	
17		VeeT	Transmitter Ground.	
18	CML-I	TD+	Transmitter Data Non-Inverted.	
19	CML-I	TD-	Transmitter Data Inverted.	
20		VeeT	Transmitter Ground.	

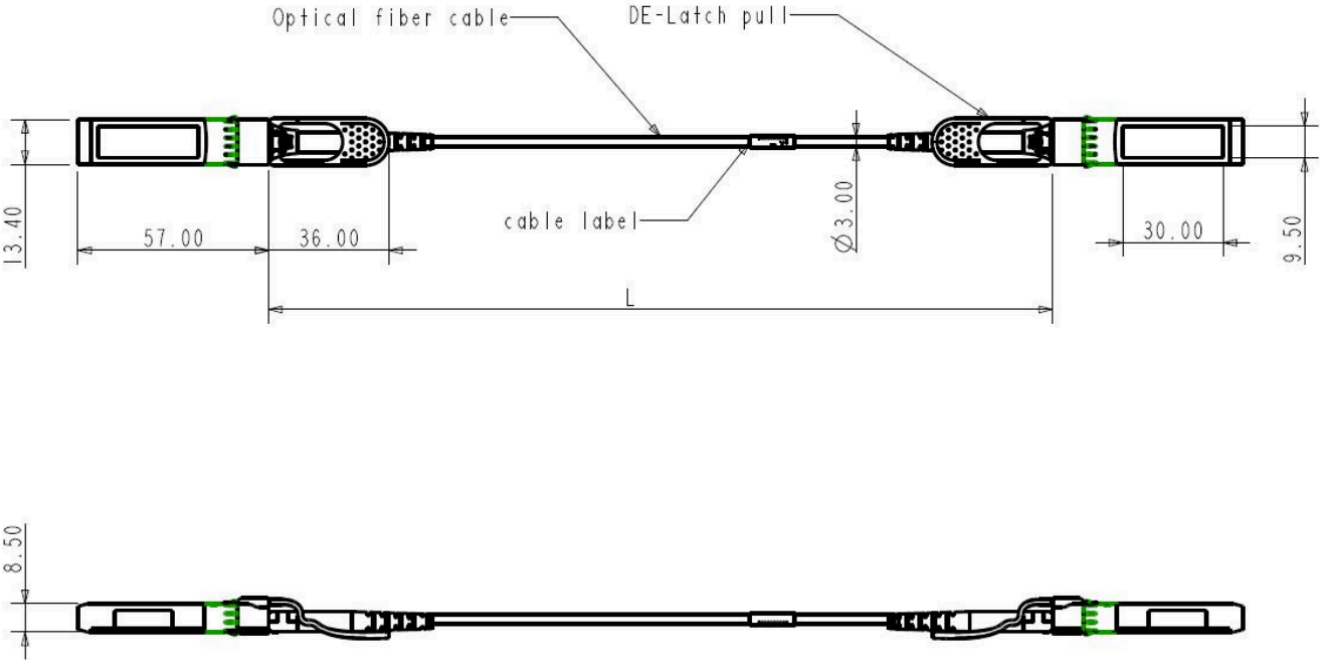
Note:

1. Signals not supported in SFP28 Copper pulled-down to VeeT with a 30KΩ resistor.

Mechanical Specifications



Mechanical Specifications



About ProLabs

Our experience comes as standard; for over 15 years ProLabs has delivered optical connectivity solutions that give our customers freedom and choice through our ability to provide seamless interoperability. At the heart of our company is the ability to provide state-of-the-art optical transport and connectivity solutions that are compatible with over 90 optical switching and transport platforms.

Complete Portfolio of Network Solutions

ProLabs is focused on innovations in optical transport and connectivity. The combination of our knowledge of optics and networking equipment enables ProLabs to be your single source for optical transport and connectivity solutions from 100Mb to 400G while providing innovative solutions that increase network efficiency. We provide the optical connectivity expertise that is compatible with and enhances your switching and transport equipment.

Trusted Partner

Customer service is our number one value. ProLabs has invested in people, labs and manufacturing capacity to ensure that you get immediate answers to your questions and compatible product when needed. With Engineering and Manufacturing offices in the U.K. and U.S. augmented by field offices throughout the U.S., U.K. and Asia, ProLabs is able to be our customers best advocate 24 hours a day.

Contact Information

ProLabs US

Email: sales@prolabs.com

Telephone: 952-852-0252

ProLabs UK

Email: salessupport@prolabs.com

Telephone: +44 1285 719 600