

PART NUMBER	REVISION	DESCRIPTION	FEED TYPE
2151088-1	M	FINE CRIMP HEIGHT ADJUST	MECHANICAL
2151088-2	M	FINE CRIMP HEIGHT ADJUST	PNEUMATIC
7-2151088-1	M	MECHANICAL AND CRIMP TOOLING KIT	MECHANICAL
7-2151088-2	M	PNEUMATIC AND CRIMP TOOLING KIT	PNEUMATIC
7-2151088-7	F	CRIMP TOOLING KIT	-

ATLANTIC VERSION TERMINATOR INTERFACE ADAPTER



APPLICATOR DATA		
CRIMP	SIZE	TYPE
WIRE	1.00 mm [.039]	F
INSUL	1.07 mm [.042]	F

APPLICATOR INSTRUCTIONS 408-35042

TERMINAL DATA: TE TERMINAL		TE CRIMP SPECIFICATION	
TERMINAL NAME: MINI CT CONNECTOR 1.5MM PITCH			
WIRE STRIP LENGTH		INSULATION DIAMETER RANGE	
1.90-2.30 mm [.075-.091 IN]		Ø0.85-1.05 mm [.033-.041 IN]	
TERMINAL APPLICATION SPECIFICATION	(A)114-5245		
TERMINALS APPLIED			
TE TERMINAL	TE TERMINAL	TE TERMINAL	TE TERMINAL
(A) 353907-1	(A) 353907-2	(A) 353907-3	(A) 353907-4

TERMINAL DATA: TE TERMINAL		TE CRIMP SPECIFICATION	
TERMINAL NAME: MINI CT CONNECTOR 1.5MM PITCH			
WIRE STRIP LENGTH		INSULATION DIAMETER RANGE	
1.90-2.30 mm [.075-.091 IN]		Ø0.95-0.95 mm [.037-.037 IN]	
TERMINAL APPLICATION SPECIFICATION	(B)114-5245-1		
TERMINALS APPLIED			
TE TERMINAL	TE TERMINAL	TE TERMINAL	TE TERMINAL
(B) 353907-1	(B) 353907-2	(B) 353907-3	(B) 353907-4

WIRE SIZE	CRIMP HEIGHT mm [INCH]	CRIMP HEIGHT REFERENCE SETTING
24 AWG OR 0.23mm ²	0.75+/-0.03 [.030+/- .001]	9.2
26 AWG OR 0.14mm ²	0.69+/-0.03 [.027+/- .001]	9.9
28 AWG OR 0.09mm ²	0.64+/-0.03 [.025+/- .001]	10.4

WIRE SIZE	CRIMP HEIGHT mm [INCH]	CRIMP HEIGHT REFERENCE SETTING
27 AWG OR 0.12mm ²	0.69+/-0.03 [.027+/- .001]	8.1

- RECOMMENDED SPARE PARTS
- REFER TO SUPPLIED INSTRUCTION SHEET FOR CLEANING, LUBRICATION AND STORAGE OF APPLICATOR.
- APPLY PART NUMBER 2-23419-6 LOCTITE TO THREADS OF ITEM 242.
- CRIMP HEIGHT REFERENCE SETTING WAS THE SETTING USED WHEN THE APPLICATOR WAS QUALIFIED AT THE FACTORY. ADJUSTMENT MAY BE NECESSARY WHEN RUNNING APPLICATOR IN THE FIELD.
- TERMINAL LUBRICANT IS RECOMMENDED.
- 6. UNLESS SPECIFIED OTHERWISE TORQUE VALUES SHALL BE USED PER DOCUMENT, 101-35000.

***WARNING**
ON INSTALLATION, SET WIRE DISC TO CRIMP HEIGHT REFERENCE SETTING FOR LARGEST WIRE SIZE. CRIMP HEIGHT REFERENCE SETTINGS GREATER THAN THE VALUE SHOWN MAY CAUSE DAMAGE TO THE CRIMP TOOLING. REFER TO THE INSTRUCTION SHEET FOR PROPER SETUP AND ADJUSTMENTS.

LOC	DIST	REVISIONS			
A	66	REV	DATE	BY	CHK
		J	11APR2017	KH	CT
		K	11MAY2017	TB	CT
		L	21APR2018	TB	JDG
		M	07SEP2018	KH	JS

-	1	-	1	-	2119640-1	PUSH ROD, AIR FEED	250	
-	1	-	1	-	2079988-1	BUSHING, LCH5-12, MISUMI	249	
-	1	-	1	-	2119641-1	FEED CAM, AIR FEED	248	
-	1	1	1	1	2119082-1	CAM, SNAIL, INSULATION ADJUSTMENT	244	
-	1	1	1	1	2079764-1	WASHER, WAVE SPRING, CREST-TO-CREST	243	
-	1	1	1	1	2119083-1	RETAINER, INSULATION DIAL	242	
-	1	1	1	1	7-18023-7	SCR, SKT HD CAP M3 X 4.0	241	
-	-	1	-	1	2119580-1	MECHANICAL FEED ASSEMBLY	239	
-	1	-	1	-	2063440-1	AIR FEED MODULE	238	
-	2	-	2	-	21045-3	RING, RETAIN, EXTERN, 3/16 CRESCENT	172	
-	REF	REF	REF	REF	994970-2	COUNTER, MAGNETIC	164	
-	1	-	1	-	240638-1	SPRING, FEED FINGER	163	
-	1	-	1	-	3-23627-7	PIN, RETAIN, GRVD, 3/16 X .854	137	
-	1	-	1	-	2119799-1	HOLDER, FEED FINGER, AF	136	
-	1	1	1	1	1-18028-2	WASHER, FLAT, REG M4	119	
-	1	1	1	1	2119955-1	ASSY, LUBRICATOR, SIDE FEED	113	
-	1	1	1	1	2844908-1	SCREW, LOCKING	99	
-	1	1	1	1	2844907-1	POST, LOCKING	98	
-	1	1	1	1	1-455888-5	SPACER, CRIMPER	82	
-	1	1	1	1	1803607-1	DOCUMENTATION PACKAGE	71	
-	1	1	1	1	1-2119791-3	DEPRESSOR, WIRE	70	
-	1	1	1	1	2119740-1	TAG, IDENTIFICATION	67	
-	2	2	2	2	2168078-1	SCREW, DRIVE, RH, RoHS, 2 x .188	66	
-	1	1	1	1	2168083-2	SCR, SKT HD CAP, RoHS, M4 X 8.0	60	
-	1	1	1	1	5-18022-5	SCR, HEX HD CAP, M4 X 6.0	59	
-	1	1	1	1	1338685-1	PAWL, FEED	56	
-	4	4	4	4	2168083-3	SCR, SKT HD CAP, RoHS, M4 X 12.0	54	
-	1	2	1	2	18023-9	SCR, SKT HD CAP M4 X 6.0	49	
-	-	1	-	1	2119652-1	FEED CAM, PRE FEED	48	
-	-	1	-	1	2119653-1	FEED CAM, POST FEED	47	
-	1	1	1	1	1803583-9	APPLICATOR BASIC ASSEMBLY, SF	46	
-	1	1	1	1	1803515-1	RAM ASSEMBLY, SF ATLANTIC	44	
-	1	1	1	1	1803602-1	SCR, BHSC, RoHS (M8 X 25)	41	
-	1	1	1	1	2-1752356-6	SUPPORT, TERMINAL	34	
-	2	2	2	2	2079383-5	SCR, BHSC, RoHS (M4 X 20)	33	
-	2	2	2	2	2-2844962-4	SPACER, CYLINDRICAL, STRIP GUIDE	30	
-	1	1	1	1	2844992-1	ASSEMBLY, STRIP GUIDE	29	
-	1	1	1	1	1320928-2	STRIP GUIDE	24	
-	1	1	1	1	2168083-2	SCR, SKT HD CAP, RoHS, M4 X 8.0	21	
-	1	1	1	1	1-18028-2	WASHER, FLAT, REG M4	20	
-	1	1	1	1	2119533-3	STRIPPER, SIDE FEED	19	
-	1	1	1	1	2119806-1	INSERT, SHEAR	13	
-	1	1	1	1	3-22280-3	SPRING, COMPRESSION	12	
-	1	1	1	1	1-356885-4	STOP, SHEAR	11	
-	1	1	1	1	1-2119805-5	SHEAR HOLDER, FRONT	10	
-	1	1	1	1	1803095-6	FLOATING SHEAR, FRONT	9	
-	1	2	2	1	1	2-1803055-1	ANVIL, COMBINATION	8
-	1	1	1	1	2119757-3	DEPRESSOR, SHEAR	5	
-	1	1	1	1	2-238011-2	BLOCK, CRIMPER SPACER	4	
-	1	2	2	1	1	4-1803017-4	CRIMPER, INSULATION F	3
-	1	2	2	1	1	3-1633730-5	CRIMPER, WIRE	1
-	77	-72	-71	-2	-1	PART NO	DESCRIPTION	ITEM NO

ATLANTIC VERSION
Shown on sheets 1 of 4 & 2 of 4
(Pacific version shown on sheets 3 of 4 & 4 of 4)

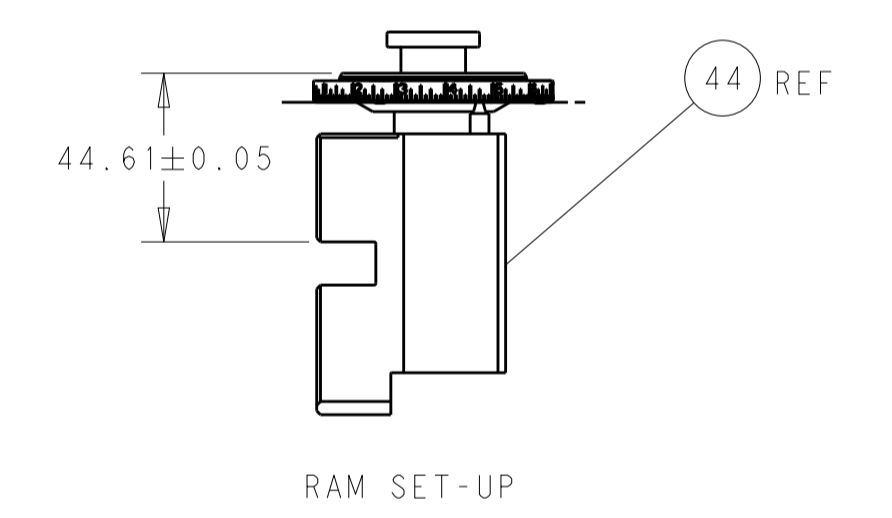
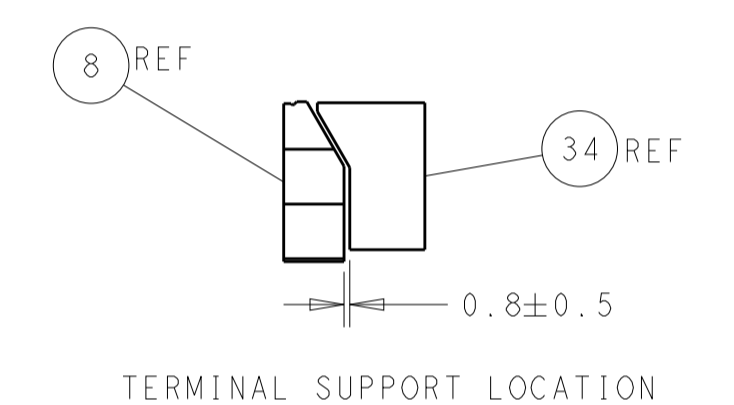
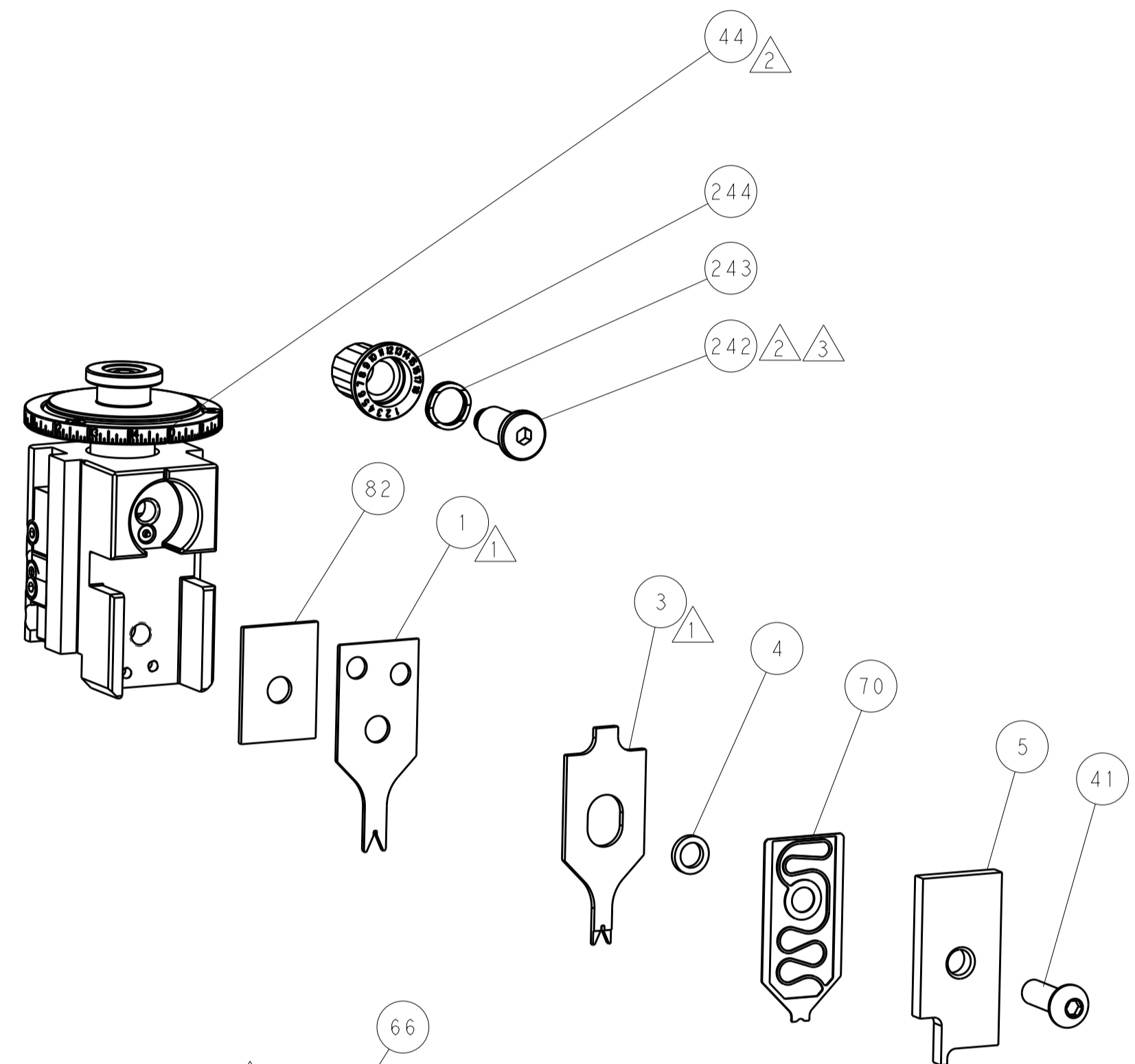
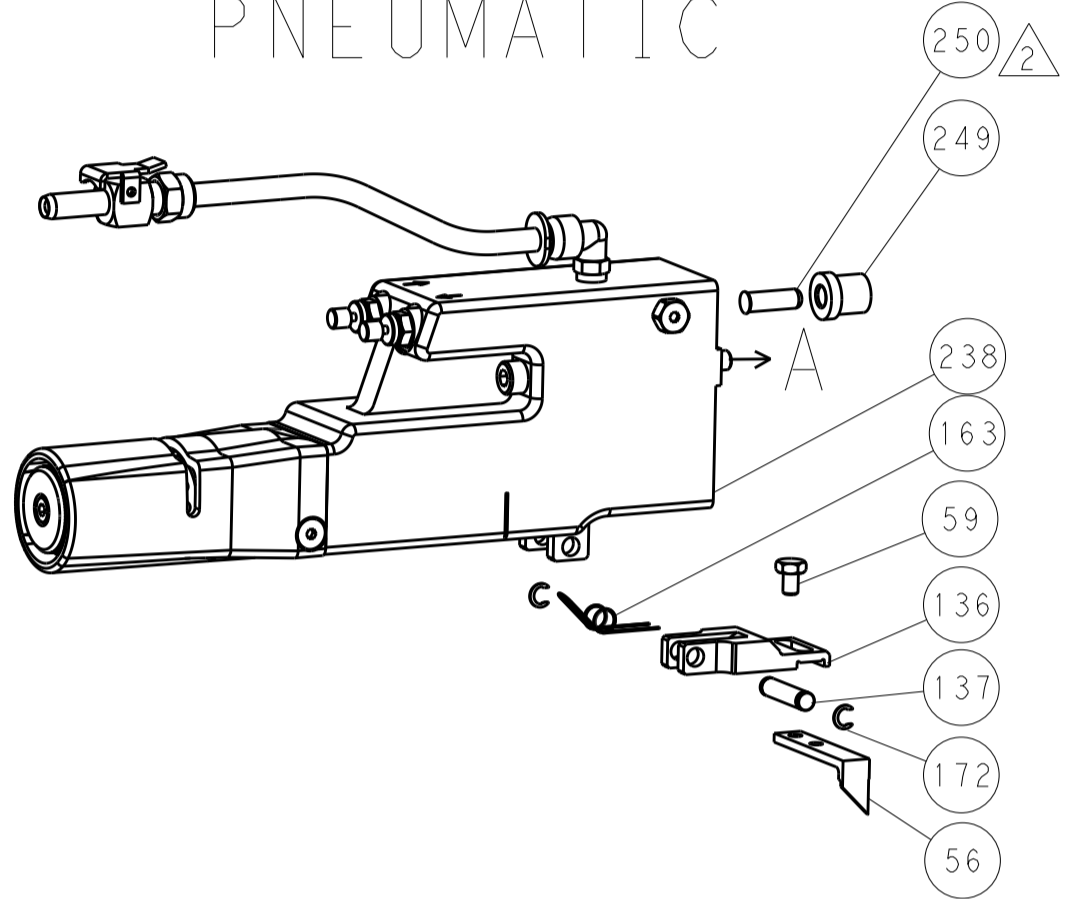
DIMENSIONS:		TOLERANCES UNLESS OTHERWISE SPECIFIED:		OWN	C. CHEN	10MAR2011	TE Connectivity Harrisburg, PA 17105-3608
mm	0 PLC ±	1 PLC ±	2 PLC ±	CHK	S. XI	10MAR2011	
MATERIAL:		FINISH:		APVD	J. CRUZ	10MAR2011	NAME
				PRODUCT SPEC		OCEAN SIDE FEED APPLICATOR	
				APPLICATION SPEC		SIZE CAGE CODE DRAWING NO RESTRICTED TO	
				WEIGHT		A1 00779 ©=2151088	
				Customer Accessible Production Drawing		SCALE 1:2 SHEET 1 OF 4 REV M	

LOC		DIST		REVISIONS			
P	LTN	DESCRIPTION	DATE	DMN	APVD		
A	66	SEE SHEET 1					

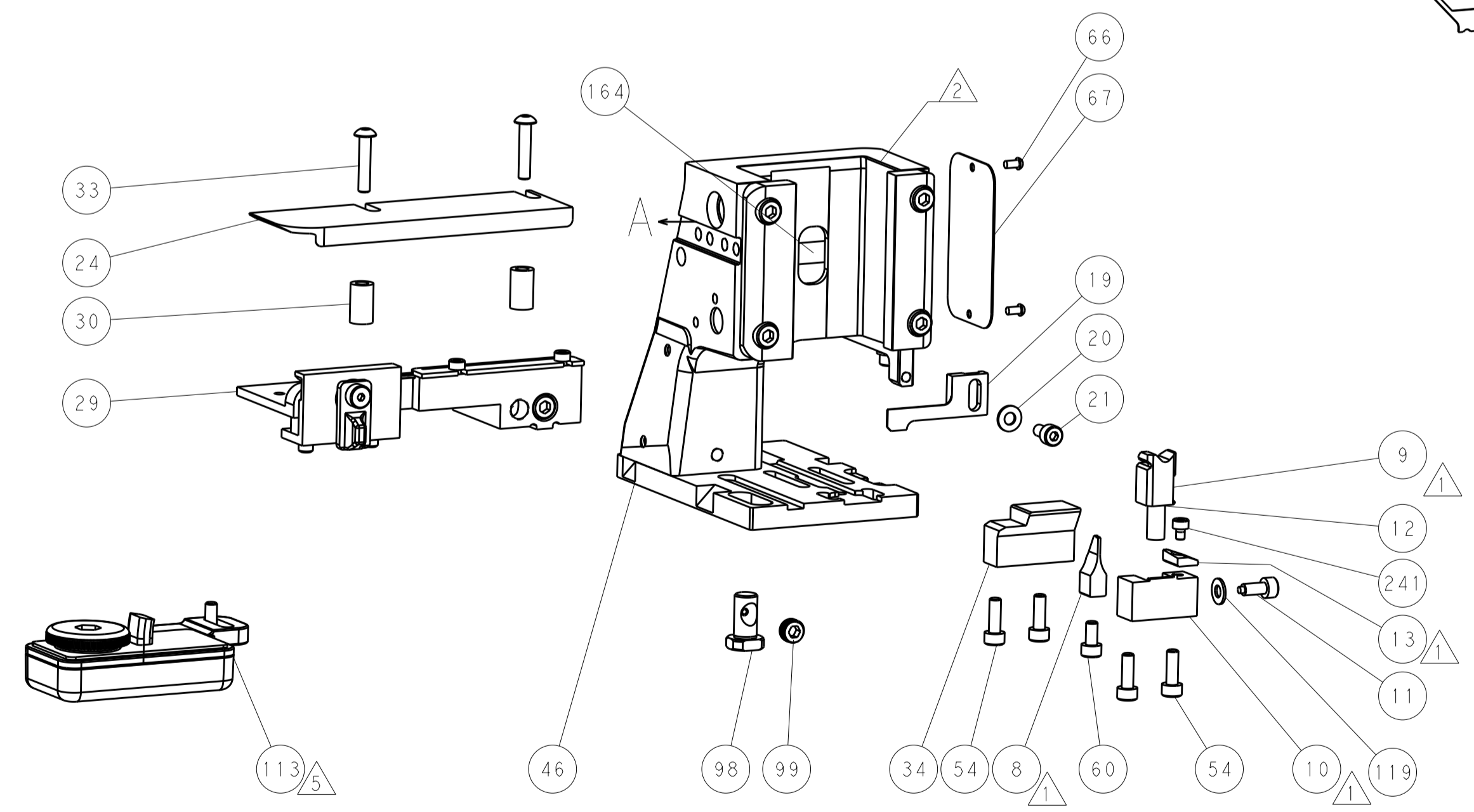
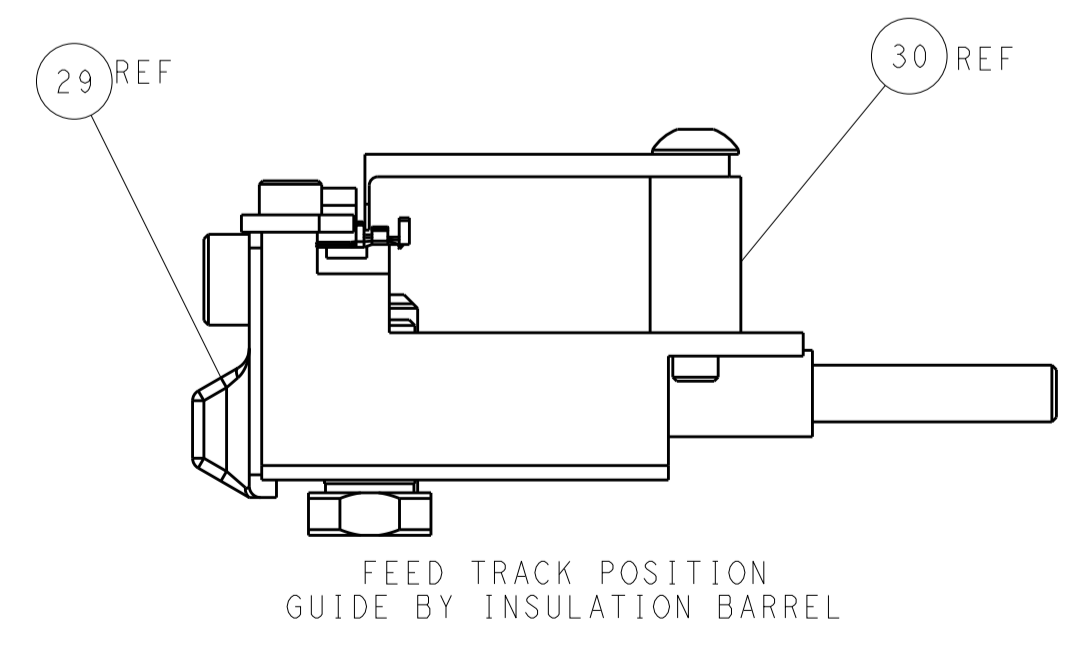
FEED TYPE MECHANICAL



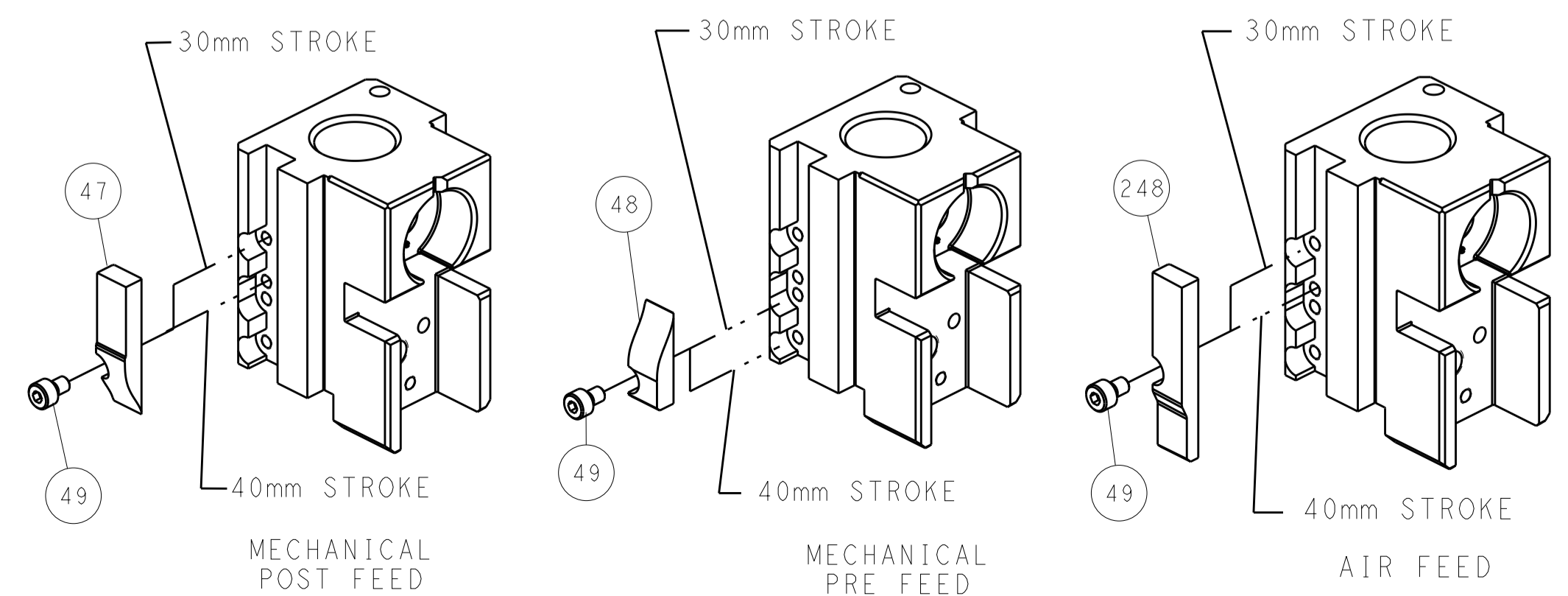
PNEUMATIC



ITEM 30 LOCATED AT FRONT HOLES



CAM POSITIONS



ATLANTIC VERSION
 Shown on sheets 1 of 4 & 2 of 4
 (Pacific version shown on sheets 3 of 4 & 4 of 4)

DIMENSIONS:		TOLERANCES UNLESS OTHERWISE SPECIFIED:		DWG: C. CHEN 10MAR2011		TE Connectivity	
mm	0 PLC ±	1 PLC ±	2 PLC ±	3 PLC ±	4 PLC ±	NAME	Harrisburg, PA 17105-3608
	ANGLES			APVD: J. CRUZ 10MAR2011		OCEAN SIDE FEED APPLICATOR	
MATERIAL:		FINISH:		WEIGHT:		SIZE: CAGE CODE: DRAWING NO: RESTRICTED TO	
				A1 00779 ©=2151088		Customer Accessible Production Drawing SCALE: 1:2 SHEET 2 OF 4 REV M	

PART NUMBER	REVISION	DESCRIPTION	FEED TYPE
2-2151088-1	M	FINE CRIMP HEIGHT ADJUST	MECHANICAL
2-2151088-2	M	FINE CRIMP HEIGHT ADJUST	PNEUMATIC
7-2151088-7	F	CRIMP TOOLING KIT	-

PACIFIC VERSION TERMINATOR
INTERFACE ADAPTER



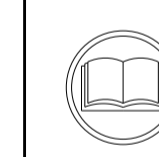
APPLICATOR DATA		
CRIMP	SIZE	TYPE
WIRE	1.00 mm [.039]	F
INSUL	1.07 mm [.042]	F
APPLICATOR INSTRUCTIONS 408-35042		

TERMINAL DATA: TE TERMINAL		TE CRIMP SPECIFICATION	
TERMINAL NAME: MINI CT CONNECTOR 1.5MM PITCH			
WIRE STRIP LENGTH		INSULATION DIAMETER RANGE	
1.90-2.30 mm [.075-.091 IN]		Ø0.85-1.05 mm [.033-.041 IN]	
TERMINAL APPLICATION SPECIFICATION	(A)114-5245	-	-
TERMINALS APPLIED			
TE TERMINAL	TE TERMINAL	TE TERMINAL	TE TERMINAL
(A) 353907-1	(A) 353907-2	(A) 353907-3	(A) 353907-4

TERMINAL DATA: TE TERMINAL		TE CRIMP SPECIFICATION	
TERMINAL NAME: MINI CT CONNECTOR 1.5MM PITCH			
WIRE STRIP LENGTH		INSULATION DIAMETER RANGE	
1.90-2.30 mm [.075-.091 IN]		Ø0.95-0.95 mm [.037-.037 IN]	
TERMINAL APPLICATION SPECIFICATION	(B)114-5245-1	-	-
TERMINALS APPLIED			
TE TERMINAL	TE TERMINAL	TE TERMINAL	TE TERMINAL
(B) 353907-1	(B) 353907-2	(B) 353907-3	(B) 353907-4

WIRE SIZE	CRIMP HEIGHT mm [INCH]	CRIMP HEIGHT REFERENCE SETTING
24 AWG OR 0.23mm ²	0.75+/-0.03 [.030+/-0.001]	9.2
26 AWG OR 0.14mm ²	0.69+/-0.03 [.027+/-0.001]	9.9
28 AWG OR 0.09mm ²	0.64+/-0.03 [.025+/-0.001]	10.4

WIRE SIZE	CRIMP HEIGHT mm [INCH]	CRIMP HEIGHT REFERENCE SETTING
27 AWG OR 0.12mm ²	0.69+/-0.03 [.027+/-0.001]	8.1



- RECOMMENDED SPARE PARTS
- REFER TO SUPPLIED INSTRUCTION SHEET FOR CLEANING, LUBRICATION AND STORAGE OF APPLICATOR.
- APPLY PART NUMBER 2-23419-6 LOCTITE TO THREADS OF ITEM 242.
- CRIMP HEIGHT REFERENCE SETTING WAS THE SETTING USED WHEN THE APPLICATOR WAS QUALIFIED AT THE FACTORY. ADJUSTMENT MAY BE NECESSARY WHEN RUNNING APPLICATOR IN THE FIELD.
- TERMINAL LUBRICANT IS RECOMMENDED.
- 6. UNLESS SPECIFIED OTHERWISE TORQUE VALUES SHALL BE USED PER DOCUMENT, 101-35000.

***WARNING**
ON INSTALLATION, SET WIRE DISC TO CRIMP HEIGHT REFERENCE SETTING FOR LARGEST WIRE SIZE. CRIMP HEIGHT REFERENCE SETTINGS GREATER THAN THE VALUE SHOWN MAY CAUSE DAMAGE TO THE CRIMP TOOLING. REFER TO THE INSTRUCTION SHEET FOR PROPER SETUP AND ADJUSTMENTS.

PACIFIC VERSION
Shown on sheets 3 of 4 & 4 of 4
(Atlantic version shown on sheets 1 of 4 & 2 of 4)

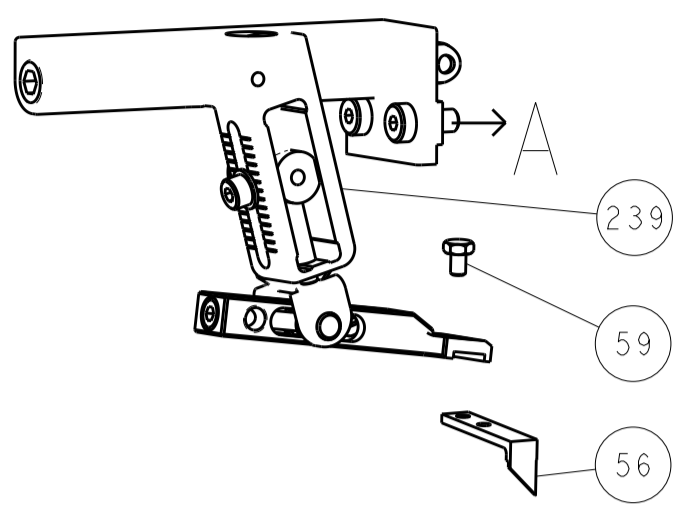
LOC	DIST	REV	DATE	BY	APPV
A	66	-	-	-	-

REV	DATE	BY	APPV	DESCRIPTION	ITEM NO	
-	-	-	-	SEE SHEET 1	-	
-	1	-	-	2119640-1	PUSH ROD, AIR FEED	250
-	1	-	-	2079988-1	BUSHING, LCH5-12, MISUMI	249
-	1	1	-	2119082-1	CAM, SNAIL, INSULATION ADJUSTMENT	244
-	1	1	-	2079764-1	WASHER, WAVE SPRING, CREST-TO-CREST	243
-	1	1	-	2119083-1	RETAINER, INSULATION DIAL	242
-	1	1	-	7-18023-7	SCR, SKT HD CAP M3 X 4.0	241
-	-	1	-	2119580-1	MECHANICAL FEED ASSEMBLY	239
-	1	-	-	2063440-1	AIR FEED MODULE	238
-	2	-	-	21045-3	RING, RETAIN, EXTERN, 3/16 CRESCENT	172
-	REF	REF	-	994970-2	COUNTER, MAGNETIC	164
-	1	-	-	240638-1	SPRING, FEED FINGER	163
-	1	-	-	2119641-2	FEED CAM, AIR FEED	151
-	1	1	-	2168083-8	SCR, SKT HD CAP, RoHS, M4 X 16	144
-	4	4	-	2168083-9	SCR, SKT HD CAP, RoHS, M4 X 20	143
-	-	1	-	2119653-2	FEED CAM, POST FEED	142
-	1	1	-	1-1803583-0	APPLICATOR BASIC ASSEMBLY, SF	141
-	1	1	-	1803516-1	RAM ASSEMBLY, SF PACIFIC	140
-	1	-	-	3-23627-7	PIN, RETAIN, GRVD, 3/16 X .854	137
-	1	-	-	2119799-1	HOLDER, FEED FINGER, AF	136
-	1	1	-	1-18028-2	WASHER, FLAT, REG M4	119
-	1	1	-	2119955-1	ASSY, LUBRICATOR, SIDE FEED	113
-	1	1	-	2844908-1	SCREW, LOCKING	99
-	1	1	-	2844907-1	POST, LOCKING	98
-	1	1	-	1-455888-5	SPACER, CRIMPER	82
-	1	1	-	1803607-1	DOCUMENTATION PACKAGE	71
-	1	1	-	1-2119791-3	DEPRESSOR, WIRE	70
-	1	1	-	2119740-1	TAG, IDENTIFICATION	67
-	2	2	-	2168078-1	SCREW, DRIVE, RH, RoHS, 2 x .188	66
-	1	1	-	5-18022-5	SCR, HEX HD CAP, M4 X 6.0	59
-	1	1	-	1338685-1	PAWL, FEED	56
-	1	2	-	18023-9	SCR, SKT HD CAP M4 X 6.0	49
-	-	1	-	2119652-1	FEED CAM, PRE FEED	48
-	1	1	-	1803602-1	SCR, BHSC, RoHS (M8 X 25)	41
-	1	1	-	2-1752356-6	SUPPORT, TERMINAL	34
-	2	2	-	2079383-5	SCR, BHSC, RoHS (M4 X 20)	33
-	2	2	-	2-2844962-4	SPACER, CYLINDRICAL, STRIP GUIDE	30
-	1	1	-	2844992-1	ASSEMBLY, STRIP GUIDE	29
-	1	1	-	1320928-2	STRIP GUIDE	24
-	1	1	-	2168083-2	SCR, SKT HD CAP, RoHS, M4 X 8.0	21
-	1	1	-	1-18028-2	WASHER, FLAT, REG M4	20
-	1	1	-	2119533-3	STRIPPER, SIDE FEED	19
-	1	1	-	2119806-1	INSERT, SHEAR	13
-	1	1	-	3-22280-3	SPRING, COMPRESSION	12
-	1	1	-	1-356885-4	STOP, SHEAR	11
-	1	1	-	1-2119805-5	SHEAR HOLDER, FRONT	10
-	1	1	-	1803095-6	FLOATING SHEAR, FRONT	9
-	1	1	-	2-1803055-1	ANVIL, COMBINATION	8
-	1	1	-	2119757-3	DEPRESSOR, SHEAR	5
-	1	1	-	2-238011-2	BLOCK, CRIMPER SPACER	4
-	1	1	-	4-1803017-4	CRIMPER, INSULATION F	3
-	1	1	-	3-1633730-5	CRIMPER, WIRE	1

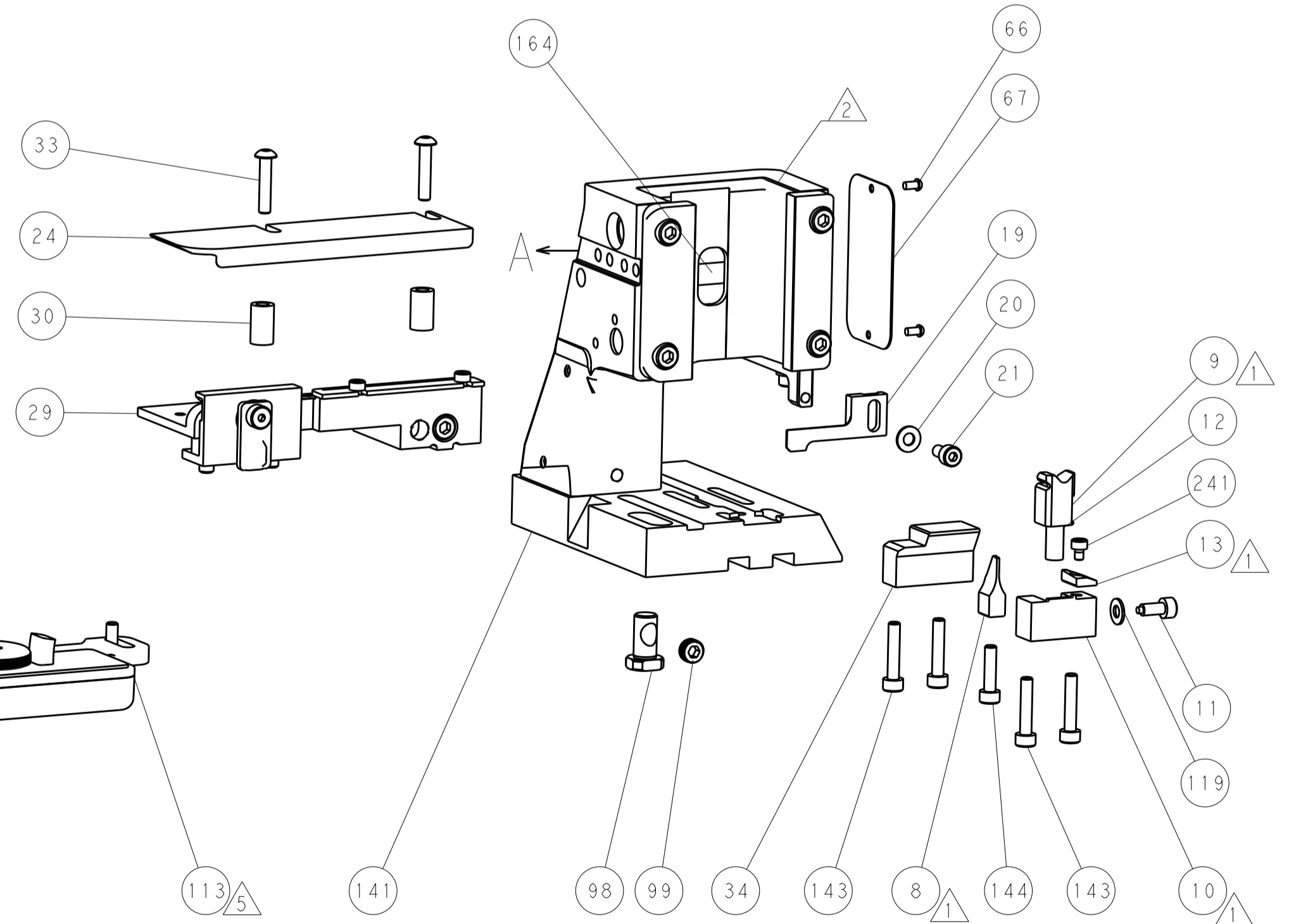
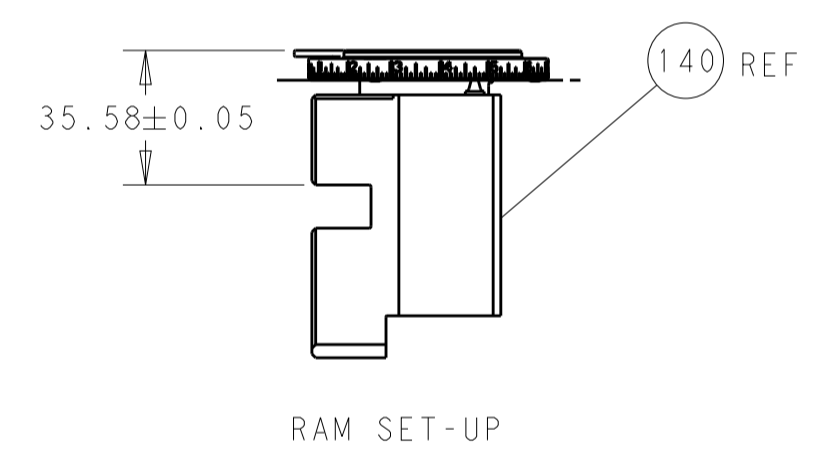
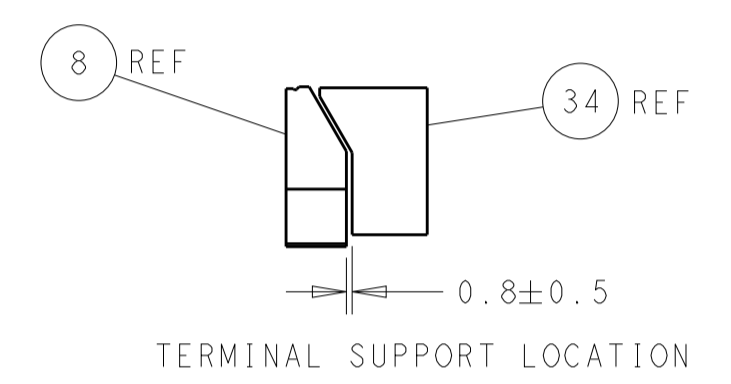
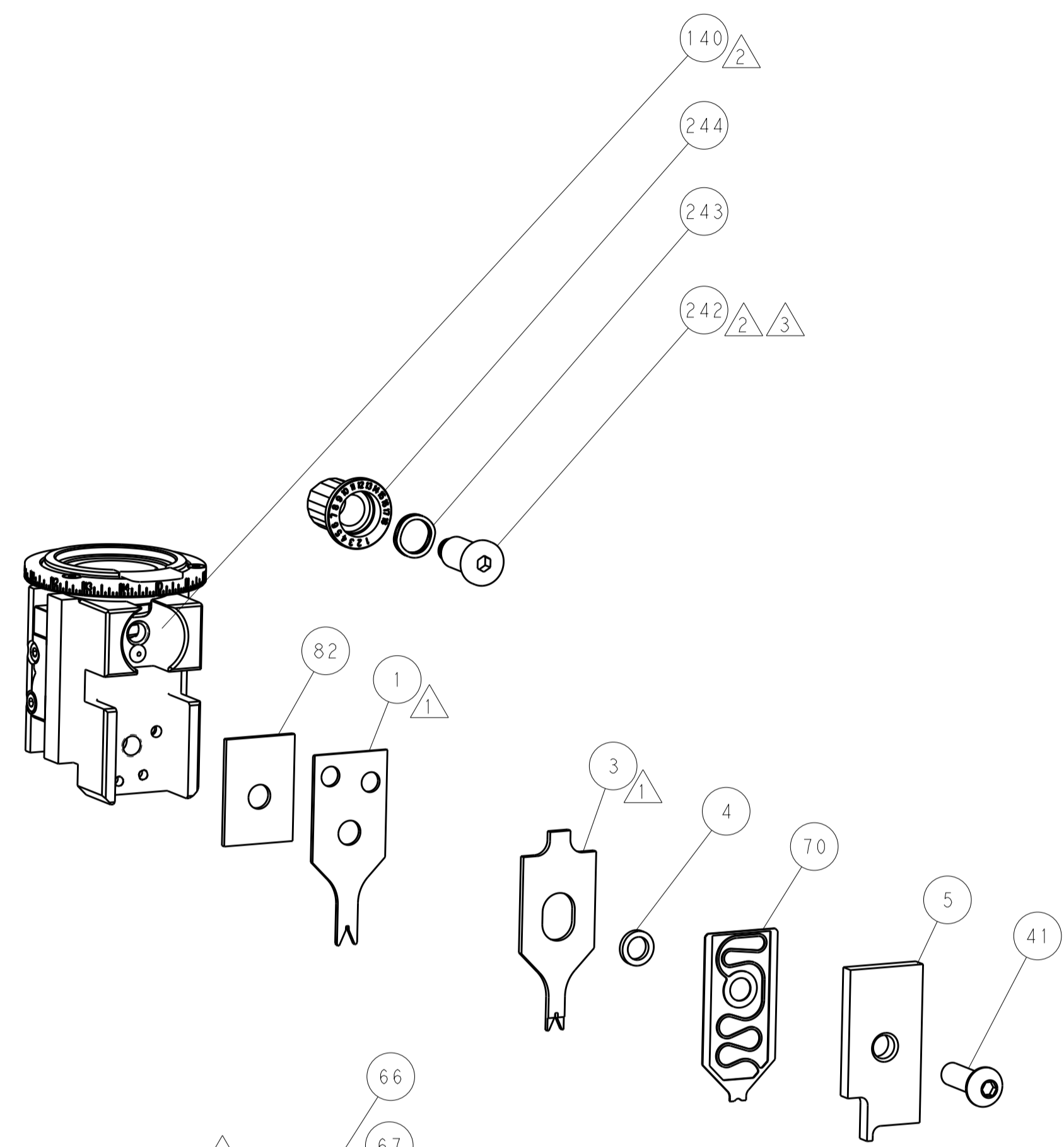
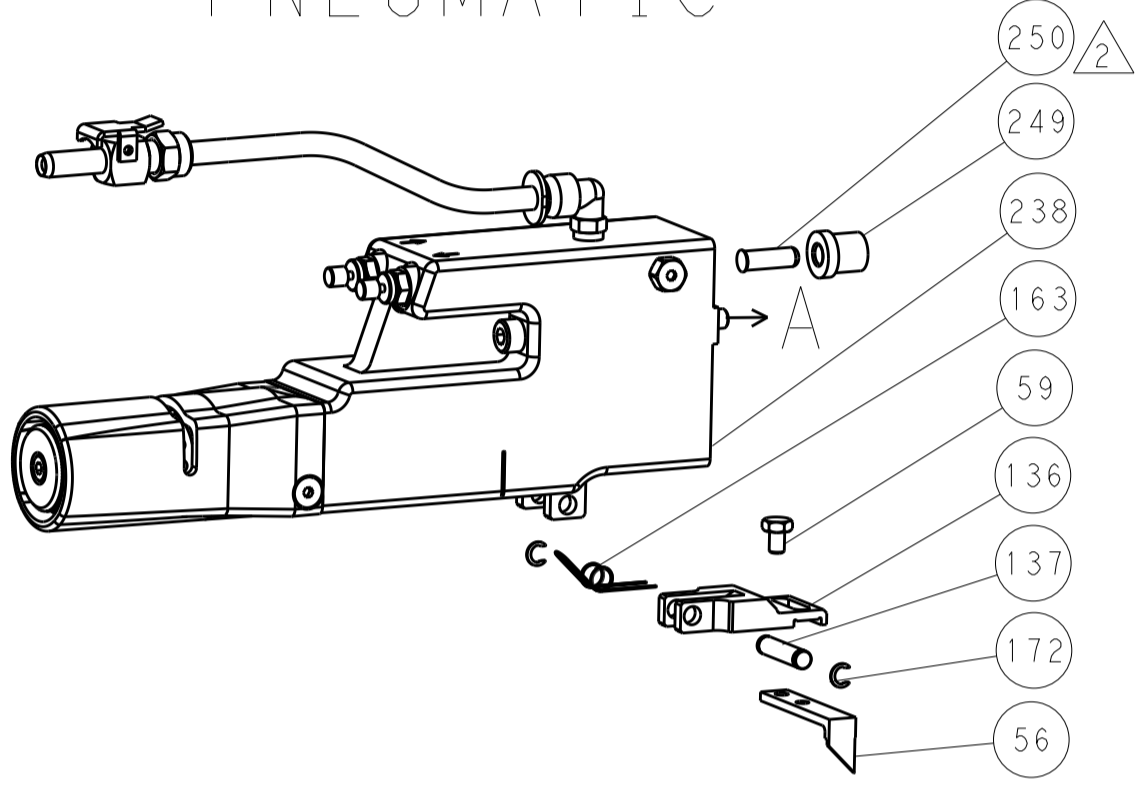
DIMENSIONS: mm		TOLERANCES UNLESS OTHERWISE SPECIFIED:		DWG: C. CHEN 10MAR2011		CHK: S. XI 10MAR2011		APVD: J. CRUZ 10MAR2011		NAME: OCEAN SIDE FEED APPLICATOR	
0 PLC	±	1 PLC	±	SIZE	CAGE CODE	DRAWING NO	RESTRICTED TO	Customer Accessible Production Drawing			
2 PLC	±	3 PLC	±	SCALE	1:2	SHEET 3 OF 4	REV M				
4 PLC	±	ANGLES	±	WEIGHT	00779	©=2151088					
MATERIAL	FINISH										

LOC		DIST		REVISONS			
A	66	P	LTM	DESCRIPTION	DATE	DWN	APVD
		-	-	SEE SHEET 1	-	-	-

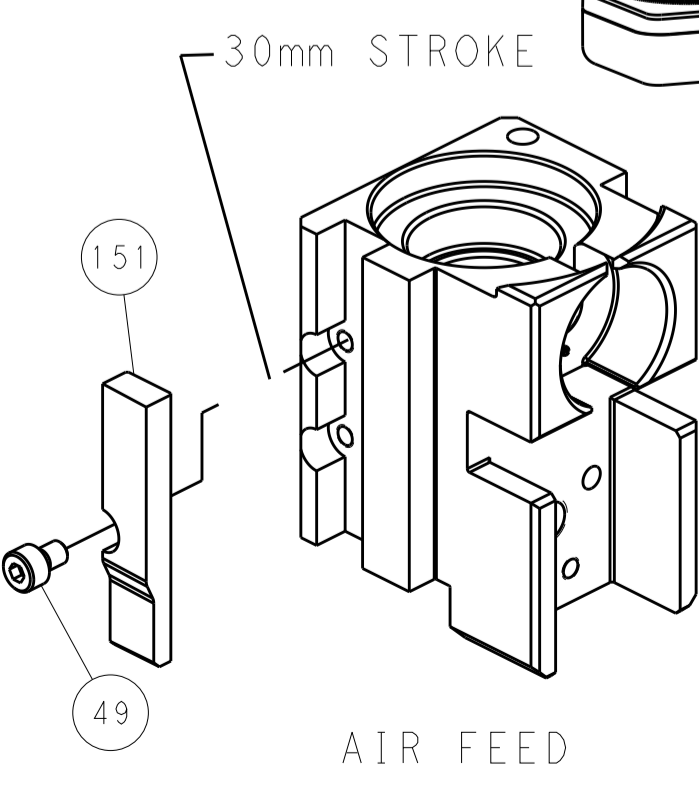
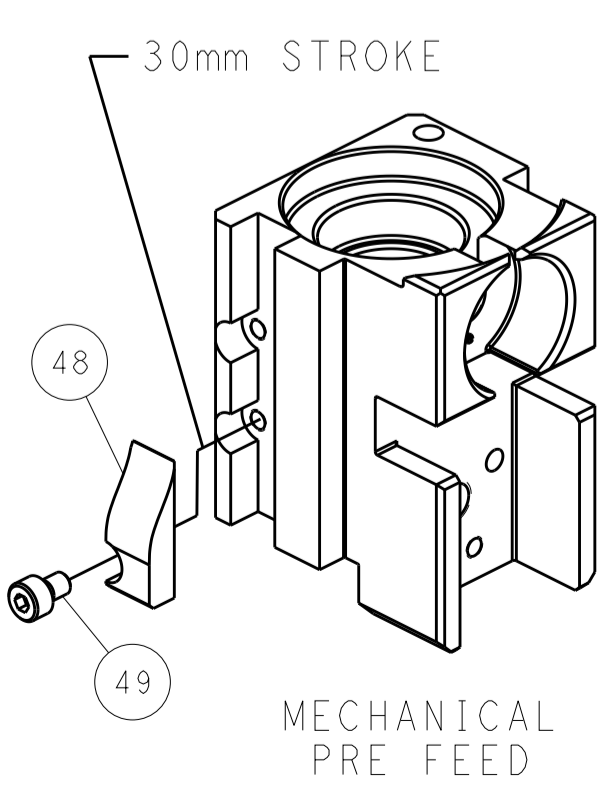
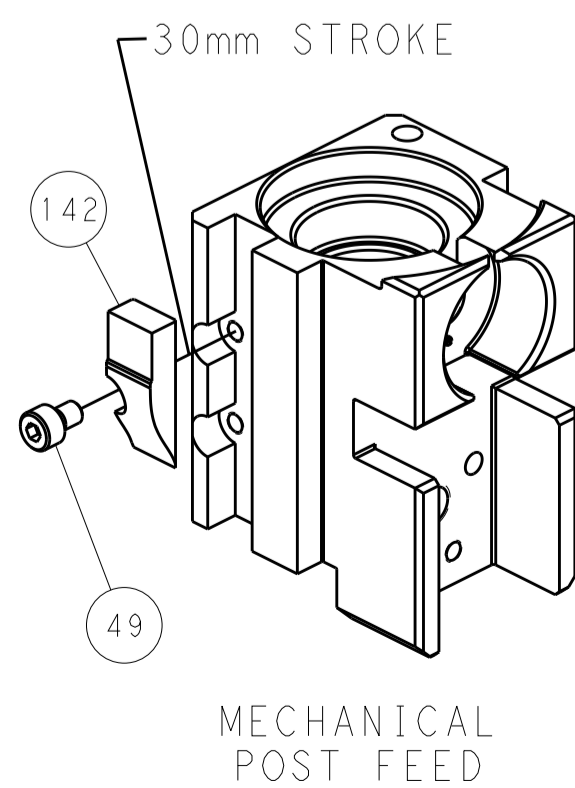
FEED TYPE MECHANICAL



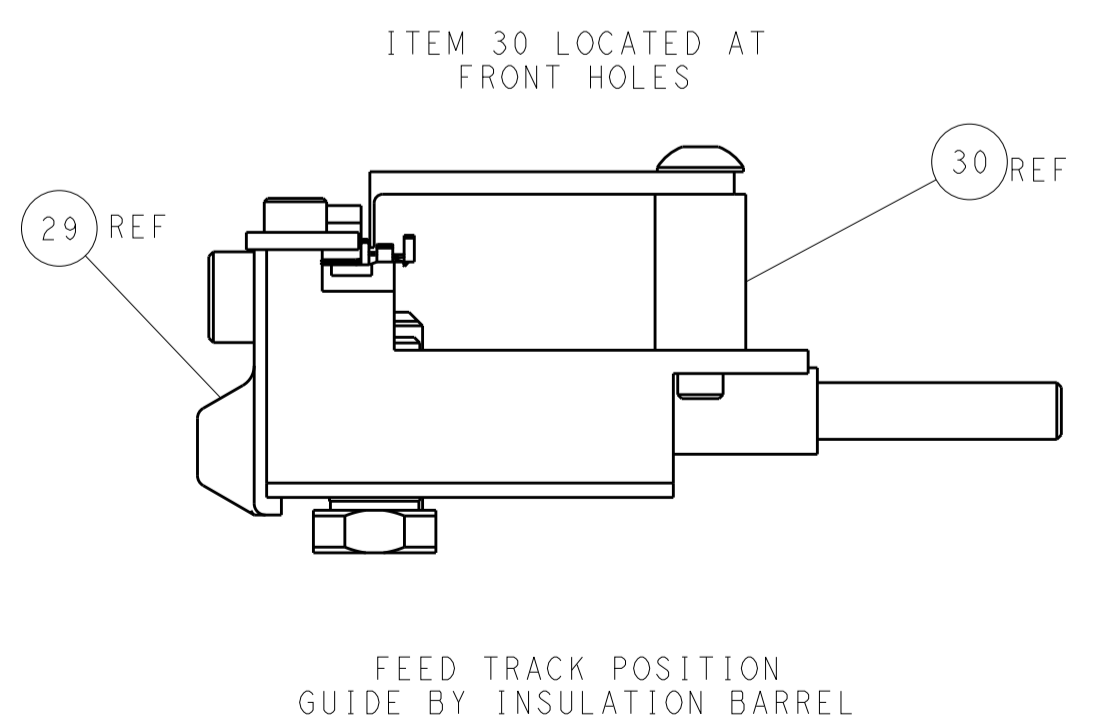
PNEUMATIC



CAM POSITIONS



PACIFIC VERSION
 Shown on sheets 3 of 4 & 4 of 4
 (Atlantic version shown on sheets 1 of 4 & 2 of 4)



DIMENSIONS:		TOLERANCES UNLESS OTHERWISE SPECIFIED:		DWN C. CHEN 10MAR2011		TE Connectivity Harrisburg, PA 17105-3608	
mm	0 PLC ±	1 PLC ±	2 PLC ±	3 PLC ±	4 PLC ±	APVD S. XI 10MAR2011	NAME OCEAN SIDE FEED APPLICATOR
ANGLES	FINISH	WEIGHT	SCALE	SIZE	CAGE CODE	DRAWING NO	RESTRICTED TO
			1:2	A1	00779	©=2151088	
Customer Accessible Production Drawing				SHEET 4 OF 4 REV M			