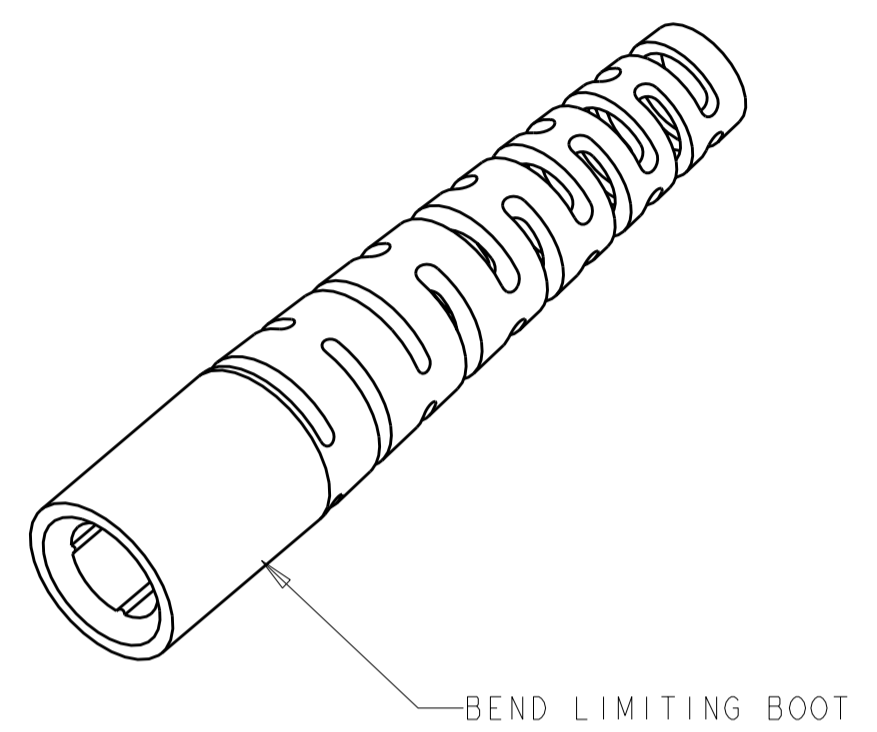
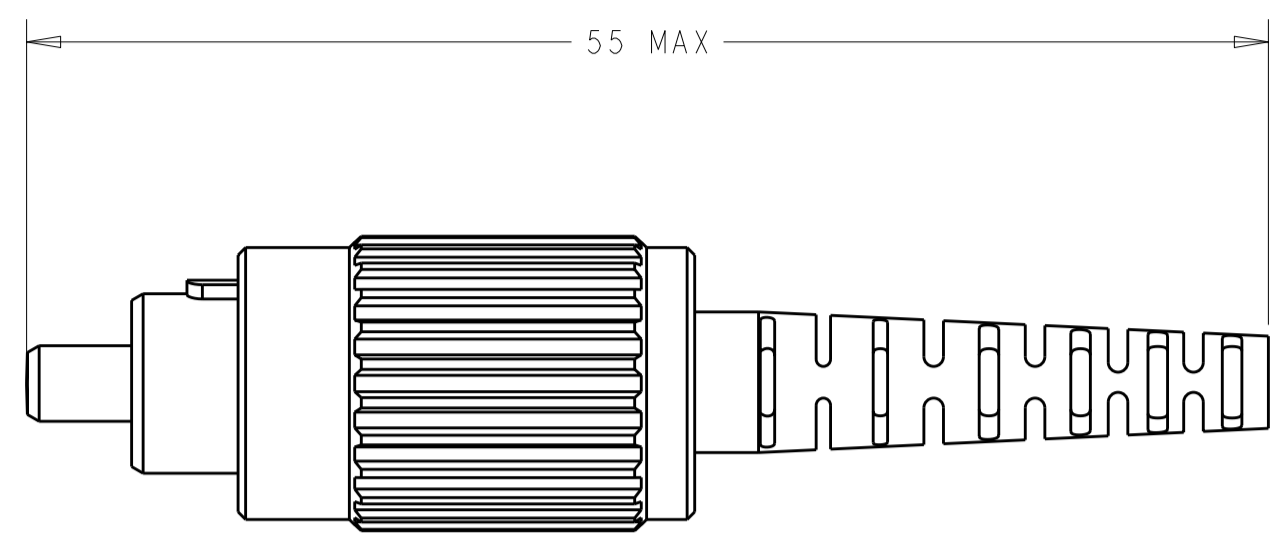
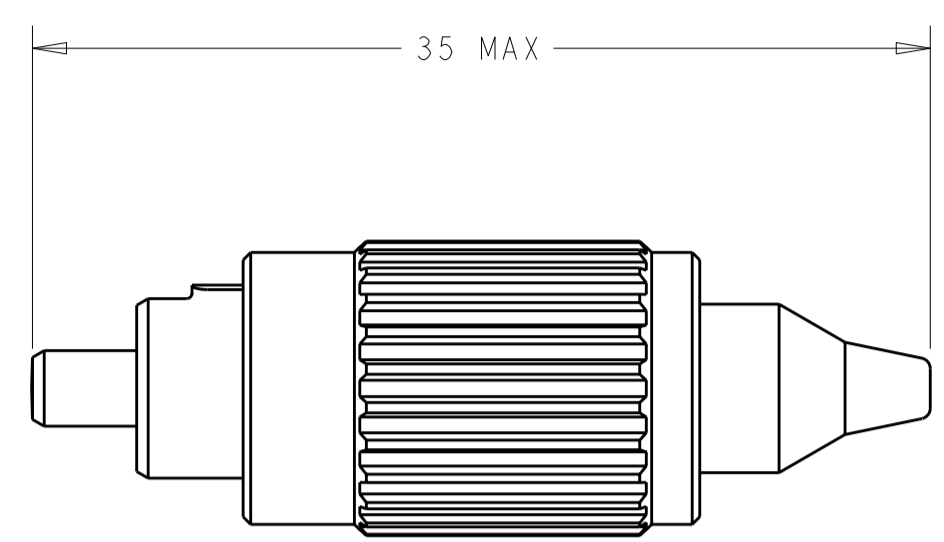


THIS DRAWING IS UNPUBLISHED. RELEASED FOR PUBLICATION 20
 © COPYRIGHT 20 BY TYCO ELECTRONICS CORPORATION. ALL RIGHTS RESERVED.

LOC	DIST	REVISIONS			
P	LTR	DESCRIPTION	DATE	DWN	APVD
CE	00	A	RELEASE ECR-08-023822	30SEP2008	BB SM
		AI	ADD NOTE 4	16MAR2009	BB SB

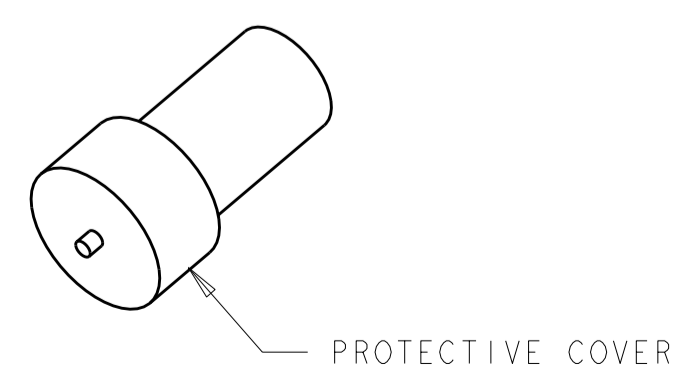
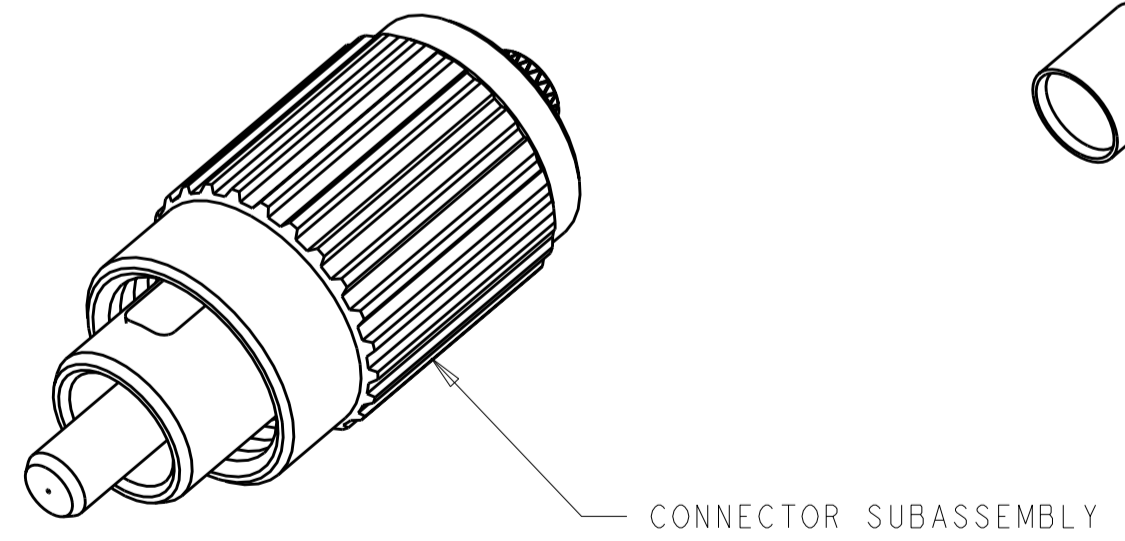
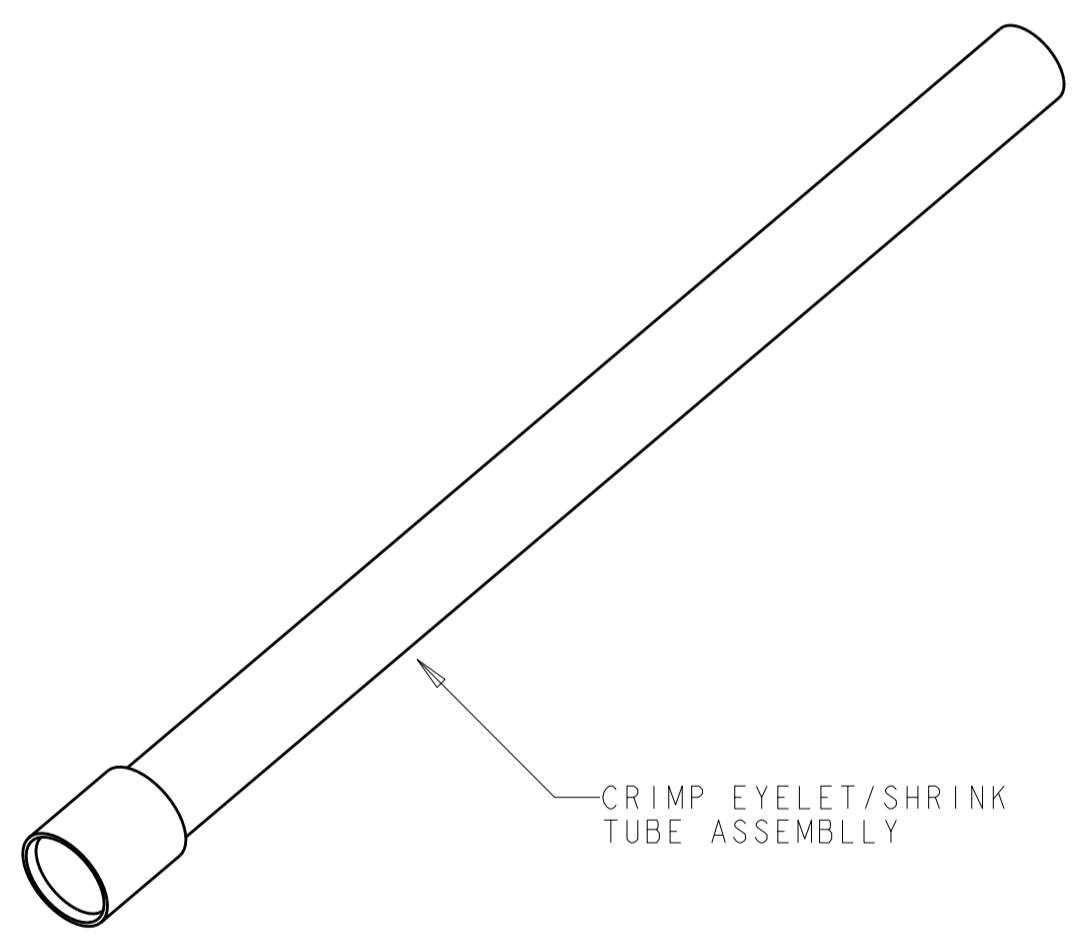
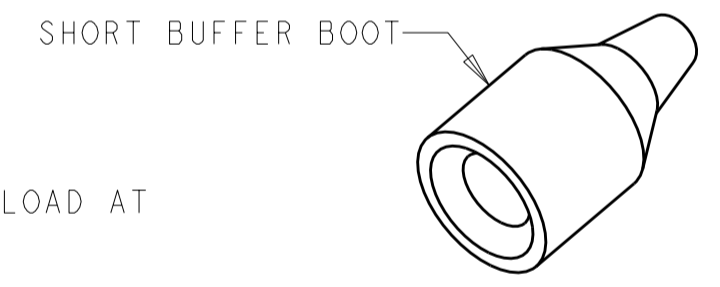


1 MATERIAL:
 PROTECTIVE COVER: LDPE, COLOR: BLACK, NON-FR
 CONNECTOR SUBASSEMBLY:
 COUPLING NUT: ELECTOLESS NICKEL PLATED BRASS
 PLUG BODY: PPS-GF40, COLOR: BEIGE.*
 RETAINER BODY: ALUMINUM, CLEAR ANODIZE.
 SPRING: STAINLESS STEEL
 FERRULE ASSEMBLY: CERAMIC/PBT-GF17.*
 EPOXY FILL TUBING: PTFE, COLOR: CLEAR, UL VW-1 RATED
 BUFFER BOOT: TPE, COLOR: BLUE.*
 CRIMP EYELET/SHRINK TUBE ASSEMBLY: ALUMINUM/POLYOLEFIN,
 COLOR: YELLOW/BLACK (2.4mm) , UL VW-1 RATED.
 BEND LIMITED BOOT: PP, COLOR: BLUE.*
 *UL94 V-0 RATED AT QUALIFYING THICKNESS.

2 TO BE USED WITH 900um BUFFERED FIBER.

3 BULK PACKAGE.

4. INSTRUCTION SHEET: 408-8674 AVAILABLE FOR DOWNLOAD AT
www.tycoelectronics.com/documents OR
www.ampnetconnect.com/foguide.



	NONE	6754264-8
3	1.6-2.0mm	6754264-7
3	2.4mm	6754264-6
	2.4mm	6754264-5
	1.6-2.0mm	6754264-4
2	SHORT BUFFER	6754264-2
	BOOT	PART NUMBER

THIS DRAWING IS A CONTROLLED DOCUMENT FOR TYCO ELECTRONICS CORPORATION IT IS SUBJECT TO CHANGE AND THE CONTROLLING ENGINEERING ORGANIZATION SHOULD BE CONTACTED FOR THE LATEST REVISION.		DWN B. BRIGGS 15 JUL 2005	Tyco Electronics Harrisburg, PA 17105-3608	
DIMENSIONS: mm		CHK S. MILLER 15 JUL 2005	NAME	
TOLERANCES UNLESS OTHERWISE SPECIFIED: 0 PLC ± 1 PLC ± 2 PLC ± 3 PLC ± 4 PLC ± ANGLES ± FINISH		APVD S. BUCHTER 15 JUL 2005	PRODUCT SPEC	
MATERIAL		APPLICATION SPEC		SIZE A2
-		WEIGHT		CAGE CODE 00779
-		CUSTOMER DRAWING		DRAWING NO 6754264
		SCALE NTS		RESTRICTED TO -
		SHEET 1		REV AI