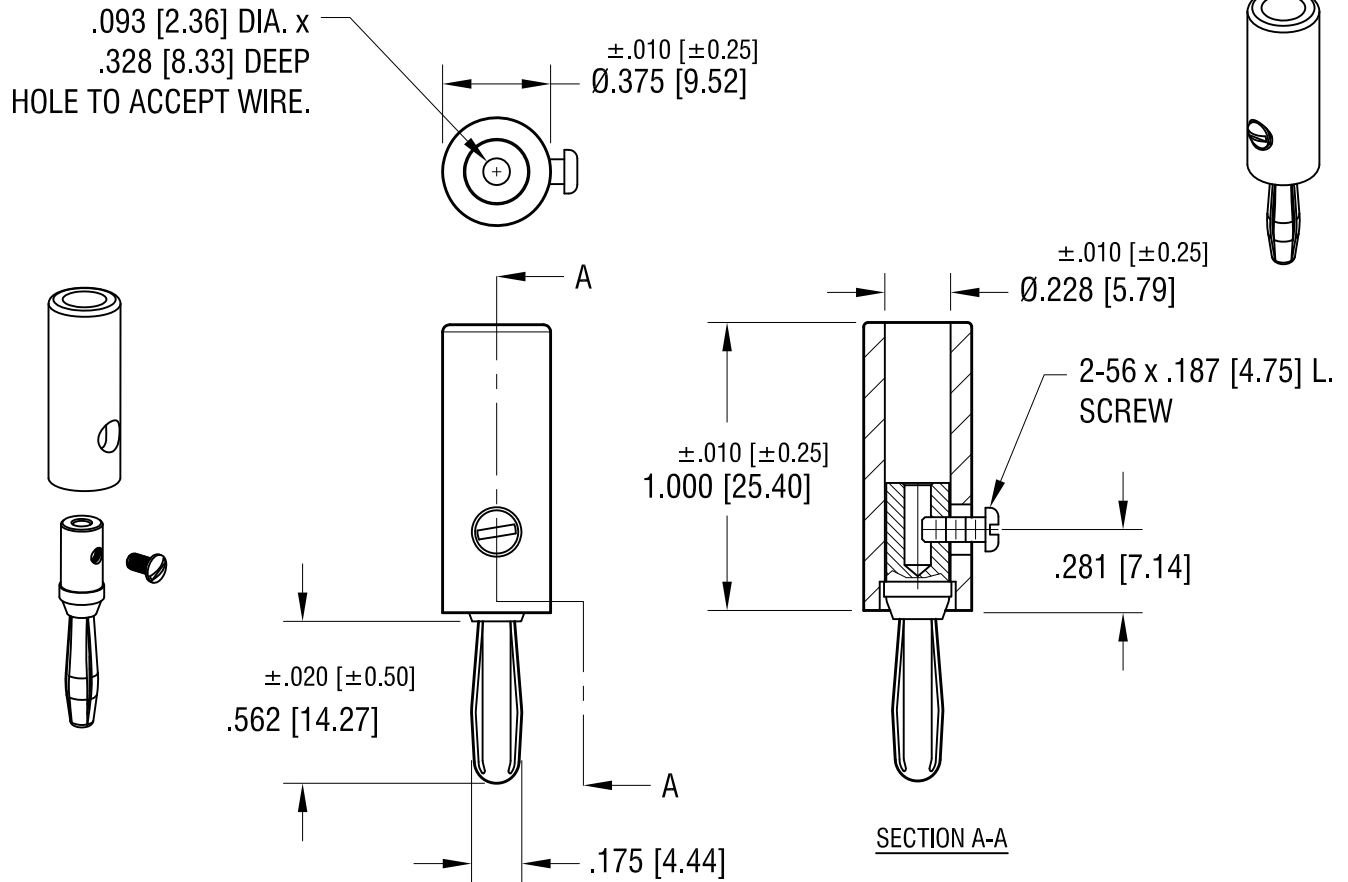


THIS DOCUMENT IS THE PROPERTY OF KEYSTONE ELECTRONICS CORP. AND SHALL NOT BE REPRODUCED, DISTRIBUTED OR USED AS A BASIS FOR MANUFACTURE WITHOUT PRIOR WRITTEN PERMISSION FROM KEYSTONE ELECTRONICS CORP.

ACTUAL SIZE



NOTES:

1. SPRING: MAT'L - PHOSPHOR BRONZE  
BODY: MAT'L - BRASS  
FINISH - NICKEL PLATE  
HANDLE: MAT'L - NYLON
2. SUPPLIED UNASSEMBLED

PART NO.	COLOR
6084	RED
6085	BLACK

DATE	DESCRIPTION	REV.
2.17.21	SPRING MAT'L WAS NICKEL SILVER CHANGE AS PER ECN 21-020	A

<b>KEYSTONE ELECTRONICS CORP.</b>			
www.keyelco.com • NEW HYDE PARK, NY 11040 • Tel (516) 328-7500			
PART NAME BANANA PLUG, SOLDERLESS CONNECTION			
MATERIAL AS NOTED			
FINISH AS NOTED		DRN BY BOONE	DATE 1.12.06
		APP'D RH	SCALE 1.5X
TOLERANCES INCH [MM]	DECIMAL $\pm .005$ [ $\pm 0.13$ ]	ANGULAR $\pm 1^\circ$	UNLESS OTHERWISE SPECIFIED
CODE C	DWG NO. <b>6084 - 6085</b>		