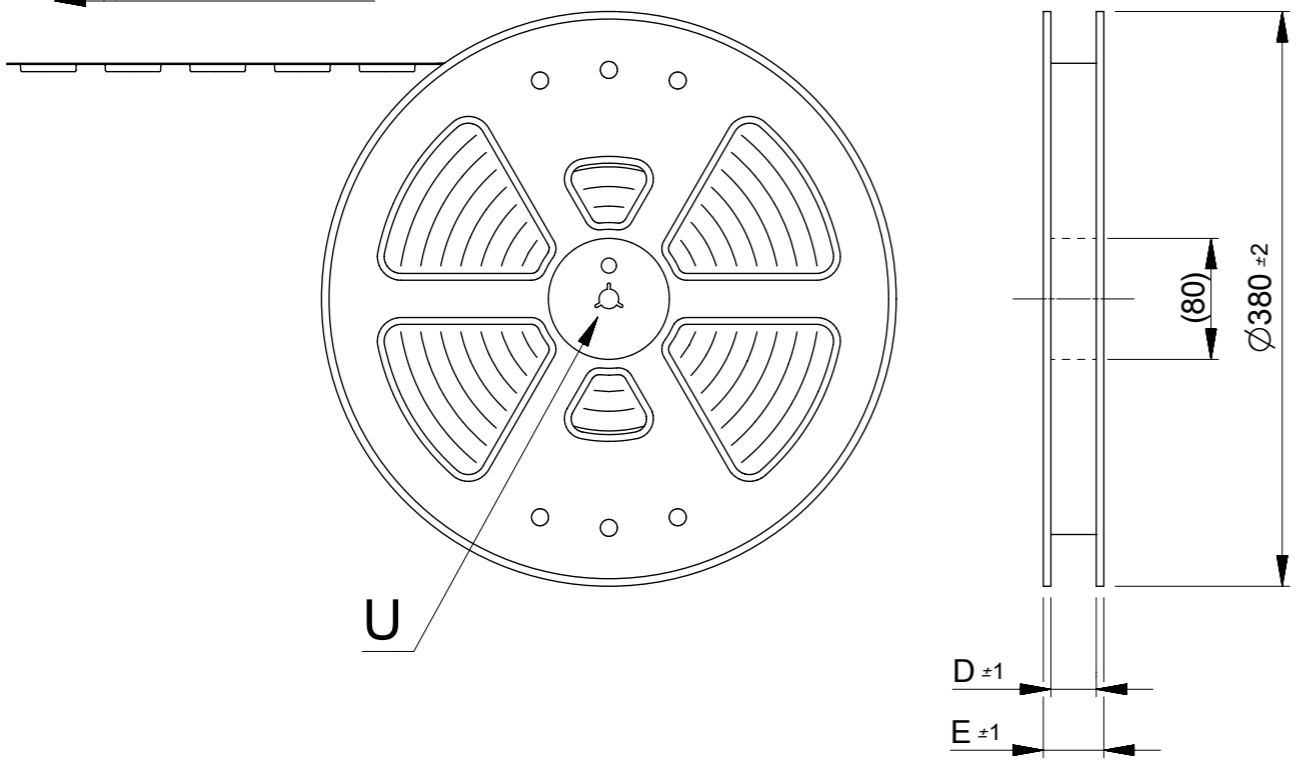
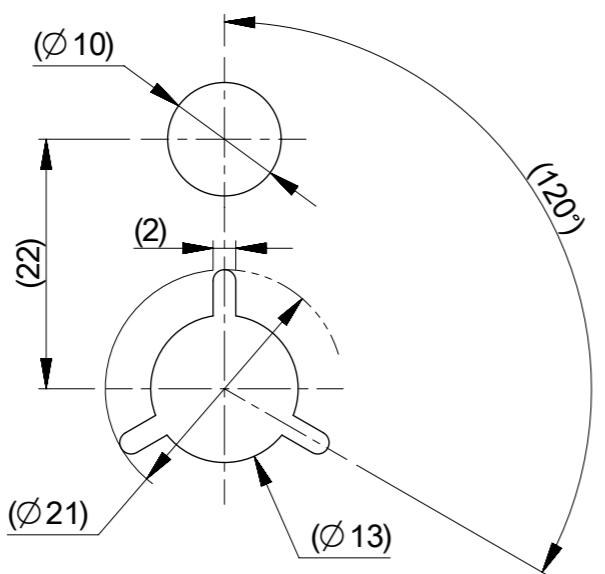


引き出し方向
PULL DIRECTION



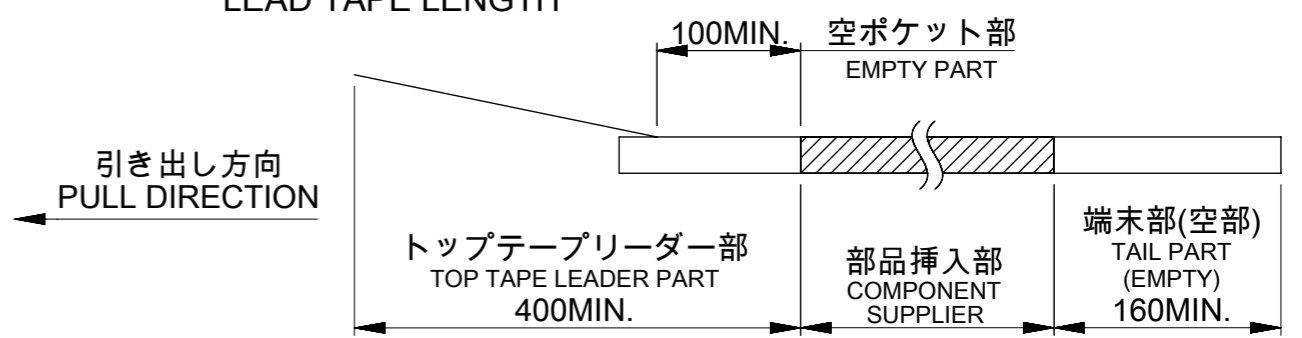
U



DETAIL U

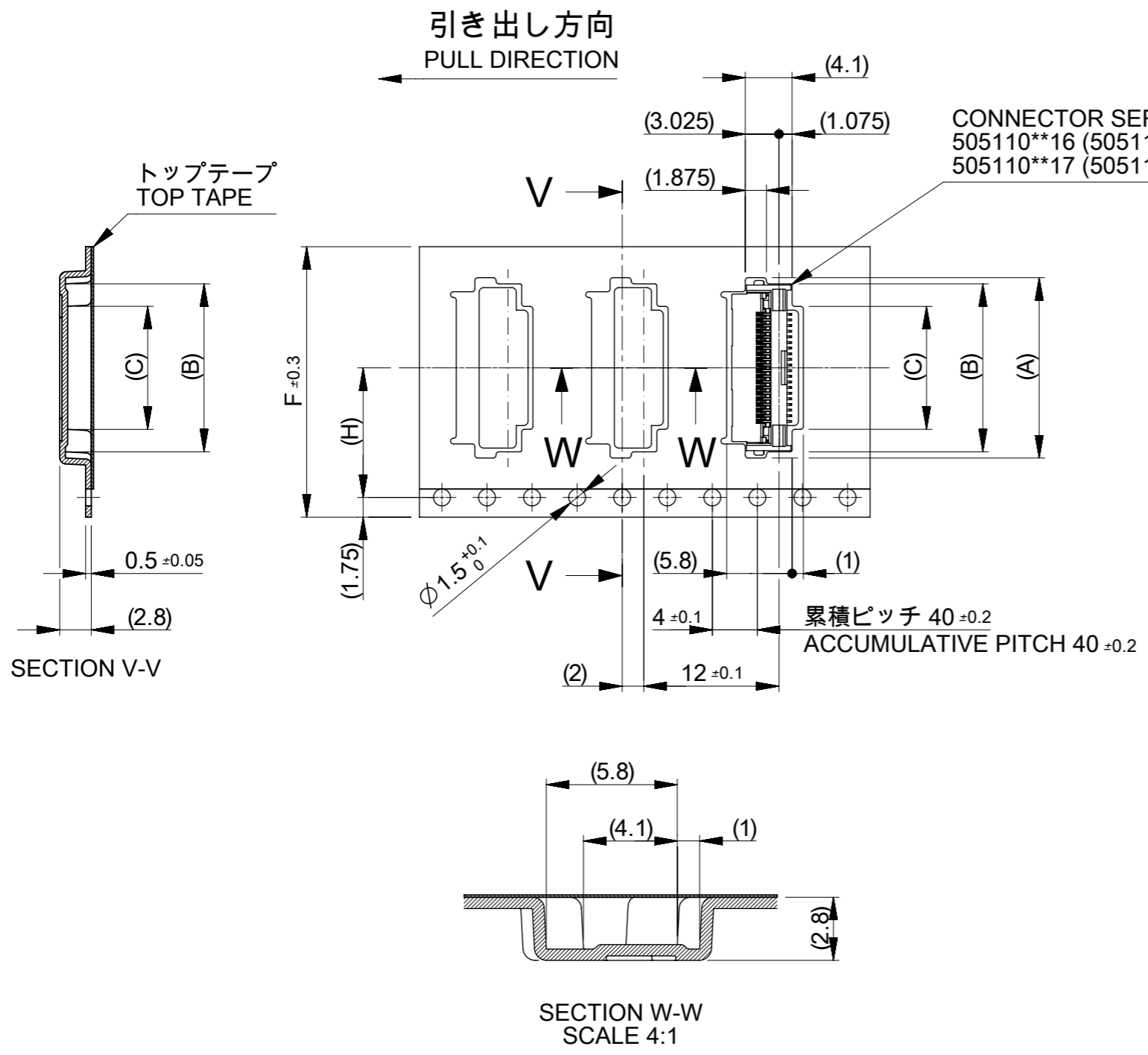
NOTES

- 梱包数量 : 3000個 / リール
NUMBER OF CONNECTORS : 3000 PCS/REEL.
- リードテープ長さ
LEAD TAPE LENGTH



- カバーテープの剥離強度については、IEC60286-3に準拠。
COVER TAPE PEEL FORCE IS DEFINED BY IEC 60286-3.
- 製品詳細寸法については、図面 5051101008-SD を参照下さい。
DIMENSIONS OF PRODUCT, REFER TO 5051101008-SD.
- 材料 MATERIAL
 キャリアテープ : ポリスチレン
 トップテープ : ポリエチレンテレフタレート、ポリエチレン
 リール : ポリスチレン <リサイクル材を含む>
 CARRIER TAPE : POLYSTYRENE
 TOP TAPE : POLYETHYLENE TEREPHTHALATE, POLYETHYLENE
 REEL : POLYSTYRENE < RECYCLE MATERIAL CONTAINED >

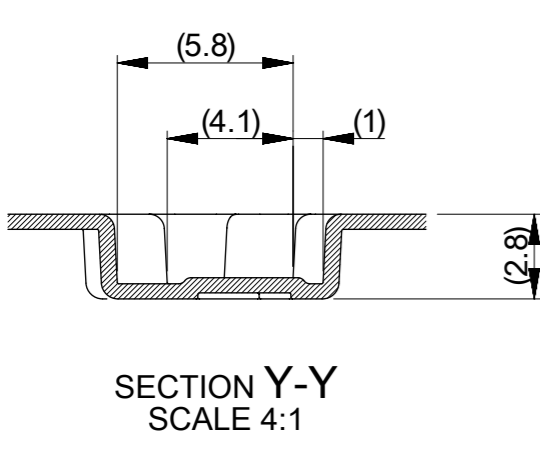
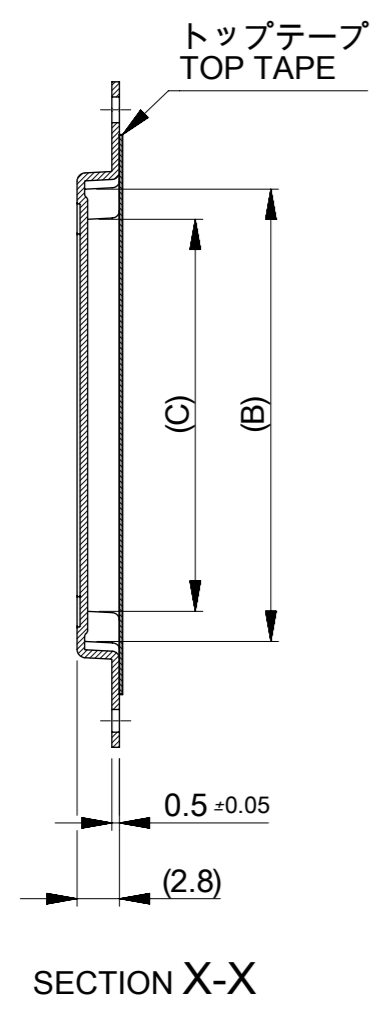
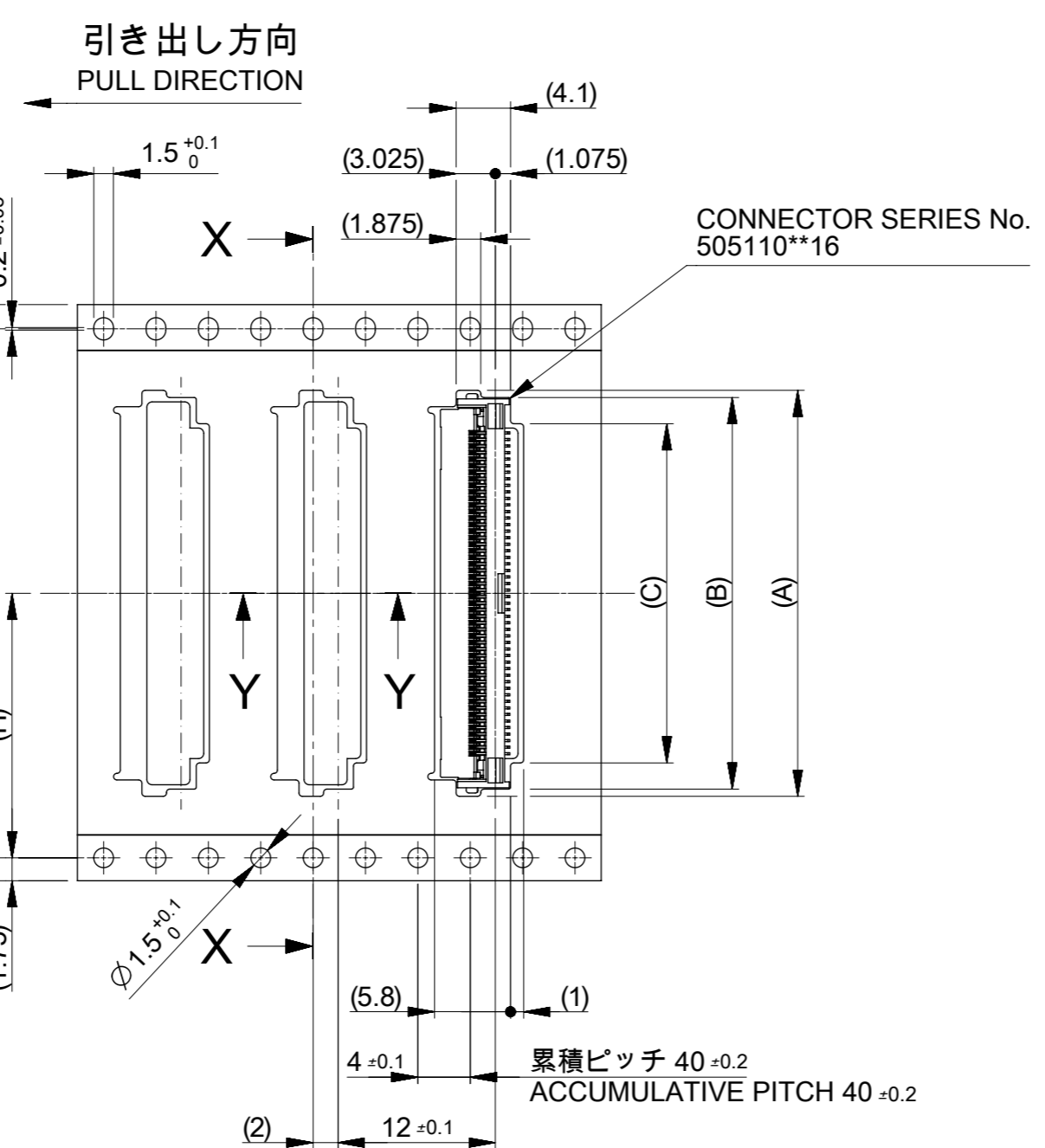
THIS DRAWING CONTAINS INFORMATION THAT IS PROPRIETARY TO MOLEX ELECTRONIC TECHNOLOGIES, LLC AND SHOULD NOT BE USED WITHOUT WRITTEN PERMISSION		CURRENT REV DESC:		molex		
DIMENSION UNITS	SCALE	EC NO: 605617				
mm	2:1	DRWN: JASANUMA 2018/10/05		0.5 FPC ZIF 2 CONT EMBT PKG		
GENERAL TOLERANCES (UNLESS SPECIFIED)		CHK'D: TRSUZUKI 2018/10/10		PRODUCT CUSTOMER DRAWING		
ANGULAR TOL	± 3.0 °	APPR: RTAKEUCHI 2018/10/10		DOCUMENT NUMBER		
4 PLACES	± 0.2	INITIAL REVISION:		5051100008-SD		
3 PLACES	± 0.2	DRWN: JASANUMA 2018/10/05		DOC TYPE	DOC PART	
2 PLACES	± 0.2	APPR: RTAKEUCHI 2018/10/10		PSD	000	
1 PLACE	± 0.25	MATERIAL NUMBER		REVISION		
0 PLACES	± 0.3	SEE CHART		A		
DRAFT WHERE APPLICABLE MUST REMAIN WITHIN DIMENSIONS		THIRD ANGLE PROJECTION	DRAWING	SERIES	CUSTOMER	SHEET NUMBER
			A3-SIZE	505110		1 OF 3



11.5	----	24	29.4	25.4	10.9	14.9	16	5051102096	20
					10.4	14.4	15.5	5051101997	19
					9.9	13.9	15	5051101897	18
					9.4	13.4	14.5	5051101797	17
					8.9	12.9	14	5051101697	16
					8.4	12.4	13.5	5051101597	15
					7.9	11.9	13	5051101497	14
					7.4	11.4	12.5	5051101397	13
					6.9	10.9	12	5051101297	12
					6.4	10.4	11.5	5051101197	11
					5.9	9.9	11	5051101097	10
					5.4	9.4	10.5	5051100997	9
					4.9	8.9	10	5051100897	8
4.4	8.4	9.5	5051100797	7					
3.9	7.9	9	5051100697	6					
3.4	7.4	8.5	5051100597	5					
7.5	----	16	21.4	17.4	2.9	6.9	8	5051100497	4
H	G	F	E	D	C	B	A	EMBOSSED PACKAGE	Ckt
オーダー番号 ORDER No.									

THIS DRAWING CONTAINS INFORMATION THAT IS PROPRIETARY TO MOLEX ELECTRONIC TECHNOLOGIES, LLC AND SHOULD NOT BE USED WITHOUT WRITTEN PERMISSION

DIMENSION UNITS	SCALE	CURRENT REV DESC:		molex			
mm	2:1						
GENERAL TOLERANCES (UNLESS SPECIFIED)				0.5 FPC ZIF 2 CONT EMBT PKG			
ANGULAR TOL	± 3.0 °	EC NO: 605617		PRODUCT CUSTOMER DRAWING			
4 PLACES	± 0.2	DRWN: JASANUMA 2018/10/05		DOCUMENT NUMBER			
3 PLACES	± 0.2	CHK'D: TRSUZUKI 2018/10/10		5051100008-SD			
2 PLACES	± 0.2	APPR: RTAKEUCHI 2018/10/10		DOC TYPE			
1 PLACE	± 0.25	INITIAL REVISION:		PSD			
0 PLACES	± 0.3	DRWN: JASANUMA 2018/10/05		DOC PART			
DRAFT WHERE APPLICABLE MUST REMAIN WITHIN DIMENSIONS				000			
THIRD ANGLE PROJECTION				REVISION			
DRAWING				A			
SERIES				SHEET NUMBER			
A3-SIZE				2 OF 3			
MATERIAL NUMBER				CUSTOMER			
SEE CHART							

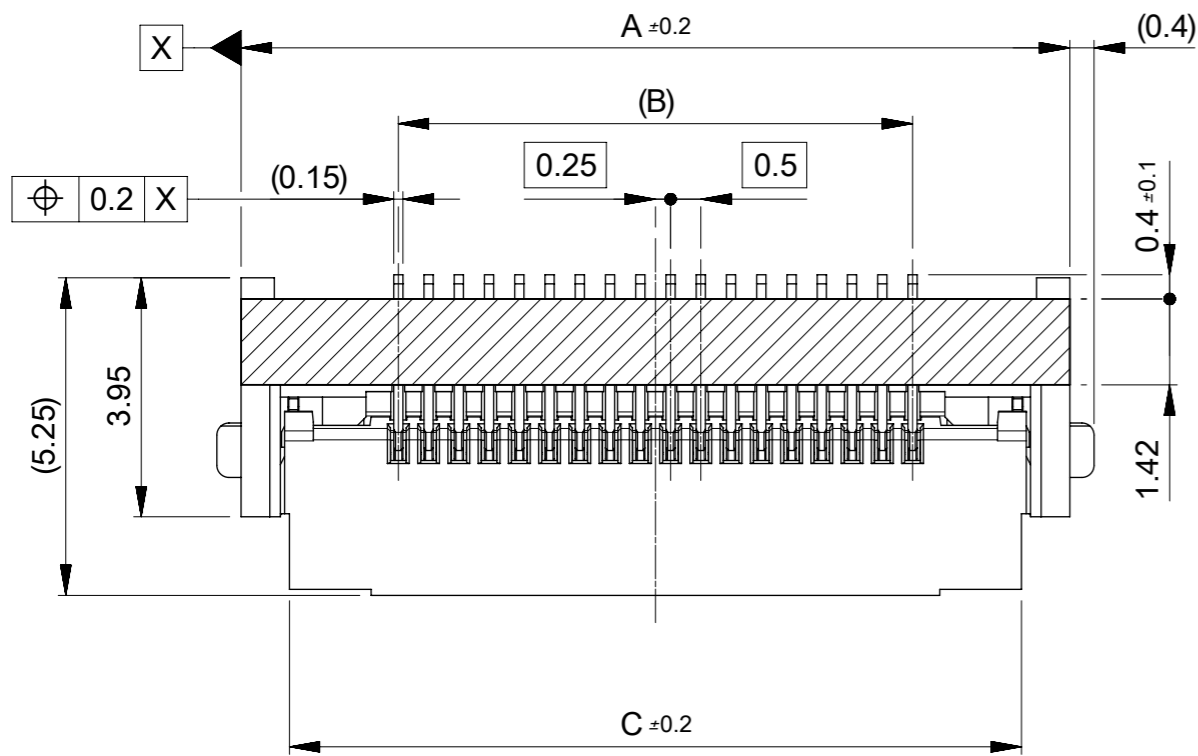


					40.9	44.9	46	5051108096	80
					35.9	39.9	41	5051107096	70
					34.9	38.9	40	5051106896	68
					32.9	36.9	38	5051106496	64
					31.4	35.4	36.5	5051106196	61
					30.9	34.9	36	5051106096	60
					30.4	34.4	35.5	5051105996	59
					29.9	33.9	35	5051105896	58
					29.4	33.4	34.5	5051105796	57
					28.9	32.9	34	5051105696	56
H	G	F	E	D	C	B	A	EMBOSSED PACKAGE	Ckt
								オーダー番号 ORDER No.	

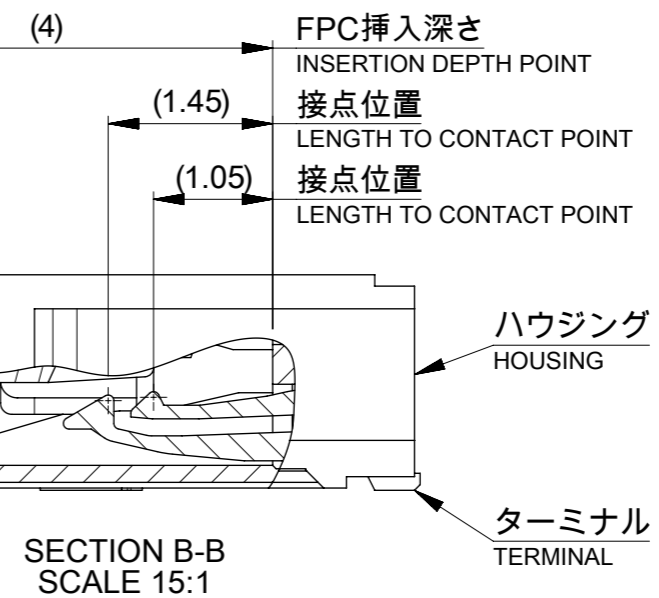
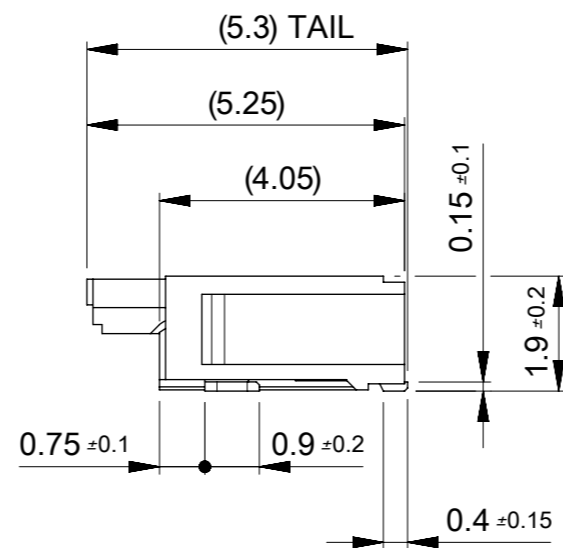
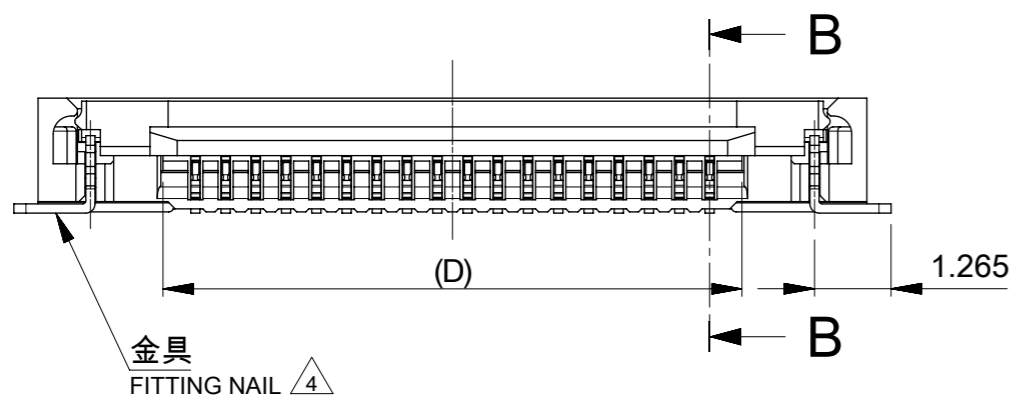
26.2	52.4	56	61.4	57.4	28.4	32.4	33.5	5051105596	55
					27.9	31.9	33	5051105496	54
					27.4	31.4	32.5	5051105396	53
					26.9	30.9	32	5051105296	52
					26.4	30.4	31.5	5051105196	51
					25.9	29.9	31	5051105096	50
					25.4	29.4	30.5	5051104996	49
					24.9	28.9	30	5051104896	48
					24.4	28.4	29.5	5051104796	47
					23.9	27.9	29	5051104696	46
					23.4	27.4	28.5	5051104596	45
					22.9	26.9	28	5051104496	44
					22.4	26.4	27.5	5051104396	43
					21.9	25.9	27	5051104296	42
					21.4	25.4	26.5	5051104196	41
					20.9	24.9	26	5051104096	40
					20.4	24.4	25.5	5051103996	39
					19.9	23.9	25	5051103896	38
					19.4	23.4	24.5	5051103796	37
					18.9	22.9	24	5051103696	36
					18.4	22.4	23.5	5051103596	35
					17.9	21.9	23	5051103496	34
					17.4	21.4	22.5	5051103396	33
					16.9	20.9	22	5051103296	32
					16.4	20.4	21.5	5051103196	31
					15.9	19.9	21	5051103096	30
					15.4	19.4	20.5	5051102996	29
					14.9	18.9	20	5051102896	28
					14.4	18.4	19.5	5051102796	27
					13.9	17.9	19	5051102696	26
					13.4	17.4	18.5	5051102596	25
					12.9	16.9	18	5051102496	24
					12.4	16.4	17.5	5051102396	23
					11.9	15.9	17	5051102296	22
					11.4	15.4	16.5	5051102196	21
H	G	F	E	D	C	B	A	EMBOSSED PACKAGE	Ckt
								オーダー番号 ORDER No.	

THIS DRAWING CONTAINS INFORMATION THAT IS PROPRIETARY TO MOLEX ELECTRONIC TECHNOLOGIES, LLC AND SHOULD NOT BE USED WITHOUT WRITTEN PERMISSION

DIMENSION UNITS	SCALE	CURRENT REV DESC:		molex				
mm	2:1							
GENERAL TOLERANCES (UNLESS SPECIFIED)				0.5 FPC ZIF 2 CONT EMBT PKG				
ANGULAR TOL	± 3.0 °	EC NO: 605617						
4 PLACES	± 0.2	DRWN: JASANUMA 2018/10/05						
3 PLACES	± 0.2	CHK'D: TRSUZUKI 2018/10/10						
2 PLACES	± 0.2	APPR: RTAKEUCHI 2018/10/10						
1 PLACE	± 0.25	INITIAL REVISION:		PRODUCT CUSTOMER DRAWING				
0 PLACES	± 0.3	DRWN: JASANUMA 2018/10/05		DOCUMENT NUMBER				
DRAFT WHERE APPLICABLE MUST REMAIN WITHIN DIMENSIONS				APPR: RTAKEUCHI 2018/10/10		5051100008-SD		
THIRD ANGLE PROJECTION		DRAWING	SERIES	MATERIAL NUMBER	CUSTOMER	DOC TYPE	DOC PART	REVISION
A3-SIZE		505110	SEE CHART			PSD	000	A
				SHEET NUMBER		3 OF 3		



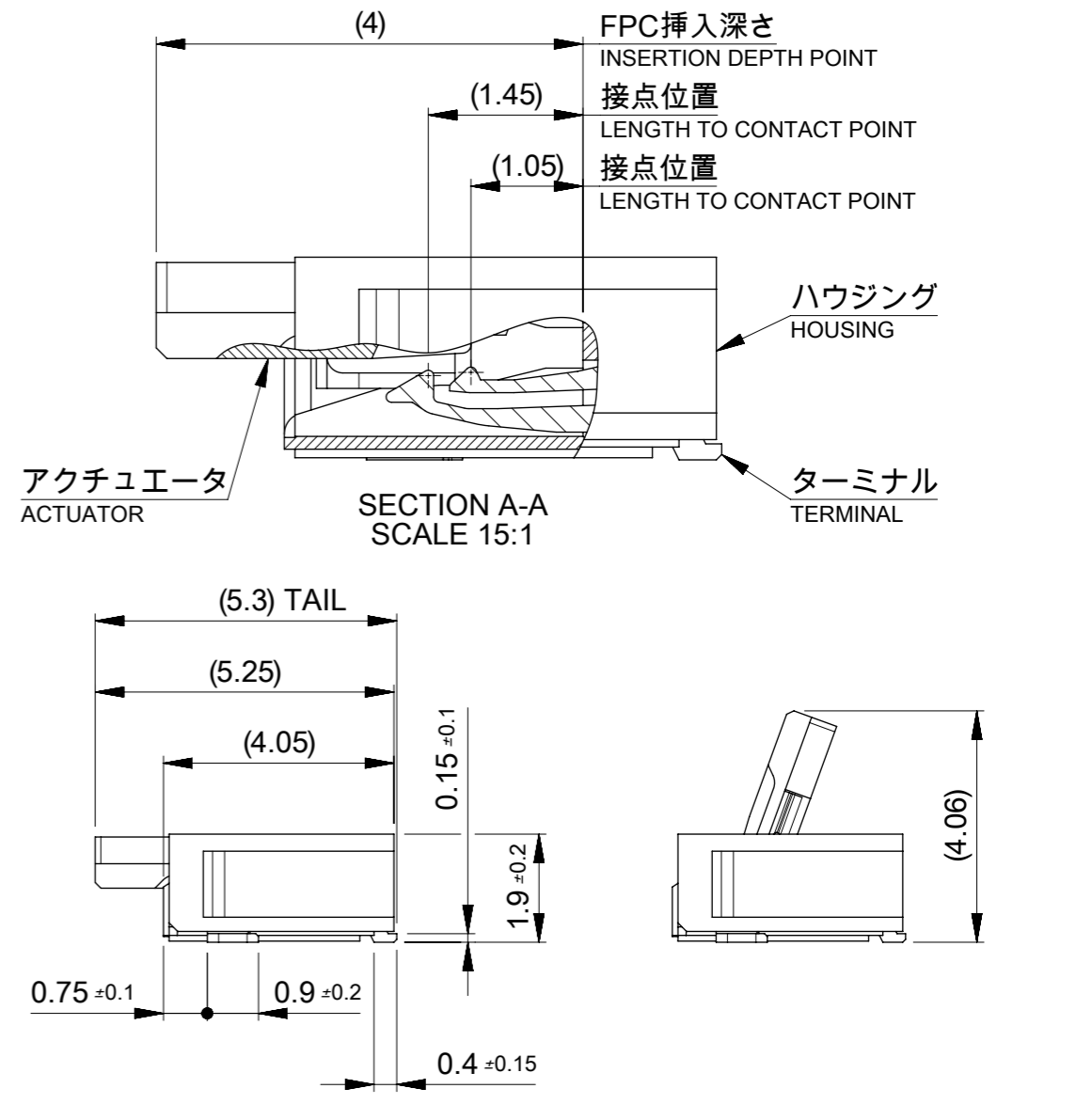
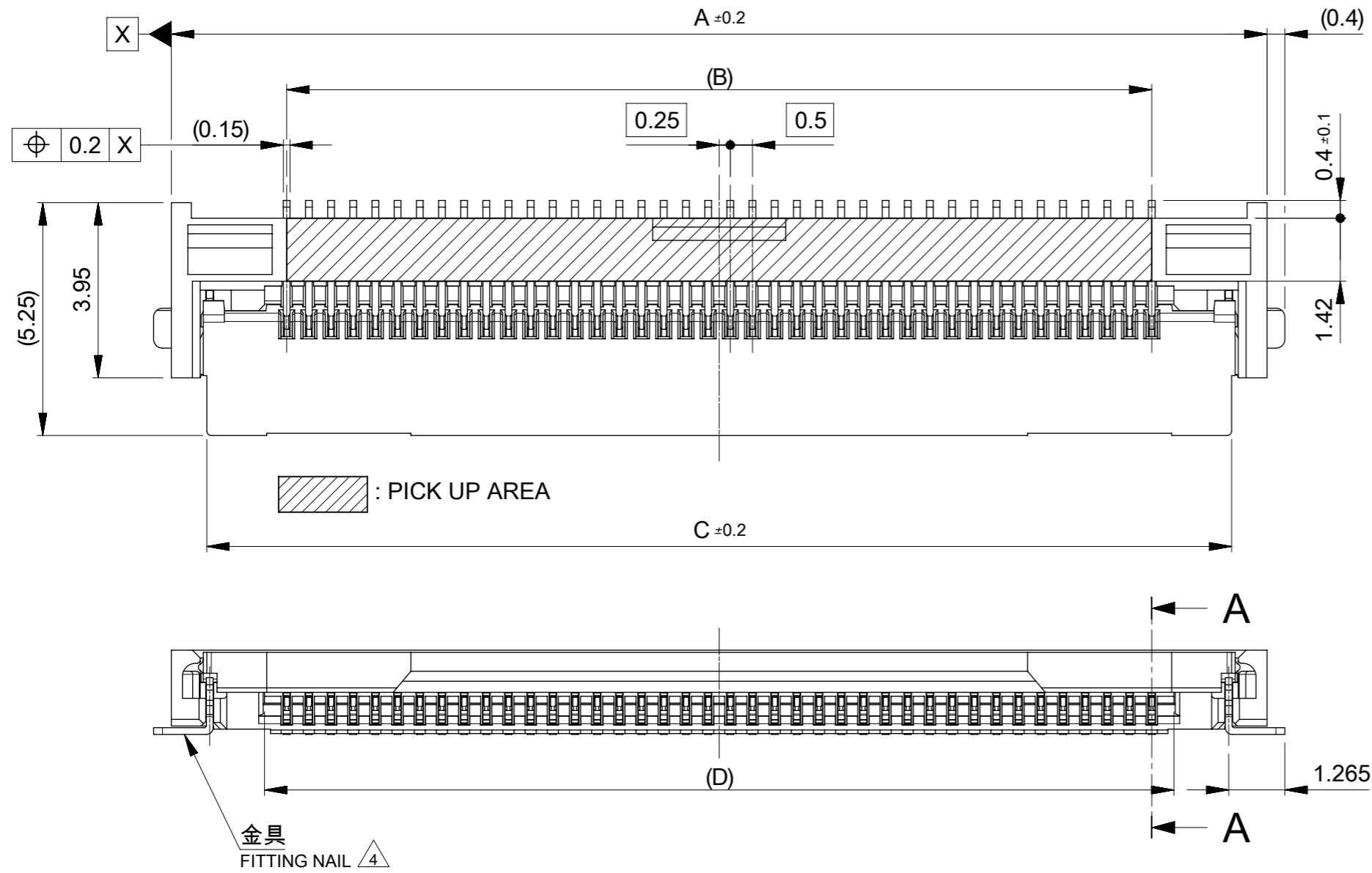
: PICK UP AREA



10.07	12.6	9	14.2	5051101997	19
9.57	12.1	8.5	13.7	5051101897	18
9.07	11.6	8	13.2	5051101797	17
8.57	11.1	7.5	12.7	5051101697	16
8.07	10.6	7	12.2	5051101597	15
7.57	10.1	6.5	11.7	5051101497	14
7.07	9.6	6	11.2	5051101397	13
6.57	9.1	5.5	10.7	5051101297	12
6.07	8.6	5	10.2	5051101197	11
5.57	8.1	4.5	9.7	5051101097	10
5.07	7.6	4	9.2	5051100997	9
4.57	7.1	3.5	8.7	5051100897	8
4.07	6.6	3	8.2	5051100797	7
3.57	6.1	2.5	7.7	5051100697	6
3.07	5.6	2	7.2	5051100597	5
2.57	5.1	1.5	6.7	5051100497	4
D	C	B	A	EMBOSSED PACKAGE	Ckt
				オーダー番号 ORDER No.	

THIS DRAWING CONTAINS INFORMATION THAT IS PROPRIETARY TO MOLEX ELECTRONIC TECHNOLOGIES, LLC AND SHOULD NOT BE USED WITHOUT WRITTEN PERMISSION

DIMENSION UNITS mm	SCALE 8:1	CURRENT REV DESC:		molex		
GENERAL TOLERANCES (UNLESS SPECIFIED)		EC NO: 620381				
ANGULAR TOL	± 3.0 °	DRWN:	JASANUMA	2019/07/10		PRODUCT CUSTOMER DRAWING
4 PLACES	± 0.2	CHK'D:	YNAITO	2019/08/13		
3 PLACES	± 0.2	APPR:	RTAKEUCHI	2019/08/13		DOCUMENT NUMBER
2 PLACES	± 0.2	INITIAL REVISION:		2018/10/05		5051101008-SD
1 PLACE	± 0.25	DRWN:	JASANUMA	2018/10/10		DOC TYPE
0 PLACES	± 0.3	APPR:	RTAKEUCHI	2018/10/10		PSD
DRAFT WHERE APPLICABLE MUST REMAIN WITHIN DIMENSIONS		THIRD ANGLE PROJECTION		DRAWING	SERIES	DOC PART
				A3-SIZE	505110	000
				MATERIAL NUMBER	CUSTOMER	REVISION
						B
				SHEET NUMBER		1 OF 4



40.5	43.1	39.5	44.7	5051108096	80
35.5	38.1	34.5	39.7	5051107096	70
34.5	37.1	33.5	38.7	5051106896	68
32.5	35.1	31.5	36.7	5051106496	64
31	33.6	30	35.2	5051106196	61
30.5	33.1	29.5	34.7	5051106096	60
30	32.6	29	34.2	5051105996	59
29.5	32.1	28.5	33.7	5051105896	58
29	31.6	28	33.2	5051105796	57
28.5	31.1	27.5	32.7	5051105696	56
28	30.6	27	32.2	5051105596	55
27.5	30.1	26.5	31.7	5051105496	54
27	29.6	26	31.2	5051105396	53
26.5	29.1	25.5	30.7	5051105296	52
26	28.6	25	30.2	5051105196	51
25.5	28.1	24.5	29.7	5051105096	50
D	C	B	A	EMBOSSSED PACKAGE	Ckt
				オーダー番号 ORDER No.	

25	27.6	24	29.2	5051104996	49
24.5	27.1	23.5	28.7	5051104896	48
24	26.6	23	28.2	5051104796	47
23.5	26.1	22.5	27.7	5051104696	46
23	25.6	22	27.2	5051104596	45
22.5	25.1	21.5	26.7	5051104496	44
22	24.6	21	26.2	5051104396	43
21.5	24.1	20.5	25.7	5051104296	42
21	23.6	20	25.2	5051104196	41
20.5	23.1	19.5	24.7	5051104096	40
D	C	B	A	EMBOSSSED PACKAGE	Ckt
				オーダー番号 ORDER No.	

20	22.6	19	24.2	5051103996	39
19.5	22.1	18.5	23.7	5051103896	38
19	21.6	18	23.2	5051103796	37
18.5	21.1	17.5	22.7	5051103696	36
18	20.6	17	22.2	5051103596	35
17.5	20.1	16.5	21.7	5051103496	34
17	19.6	16	21.2	5051103396	33
16.5	19.1	15.5	20.7	5051103296	32
16	18.6	15	20.2	5051103196	31
15.5	18.1	14.5	19.7	5051103096	30
D	C	B	A	EMBOSSSED PACKAGE	Ckt
				オーダー番号 ORDER No.	

15	17.6	14	19.2	5051102996	29
14.5	17.1	13.5	18.7	5051102896	28
14	16.6	13	18.2	5051102796	27
13.5	16.1	12.5	17.7	5051102696	26
13	15.6	12	17.2	5051102596	25
12.5	15.1	11.5	16.7	5051102496	24
12	14.6	11	16.2	5051102396	23
11.5	14.1	10.5	15.7	5051102296	22
11	13.6	10	15.2	5051102196	21
10.5	13.1	9.5	14.7	5051102096	20
D	C	B	A	EMBOSSSED PACKAGE	Ckt
				オーダー番号 ORDER No.	

THIS DRAWING CONTAINS INFORMATION THAT IS PROPRIETARY TO MOLEX ELECTRONIC TECHNOLOGIES, LLC AND SHOULD NOT BE USED WITHOUT WRITTEN PERMISSION

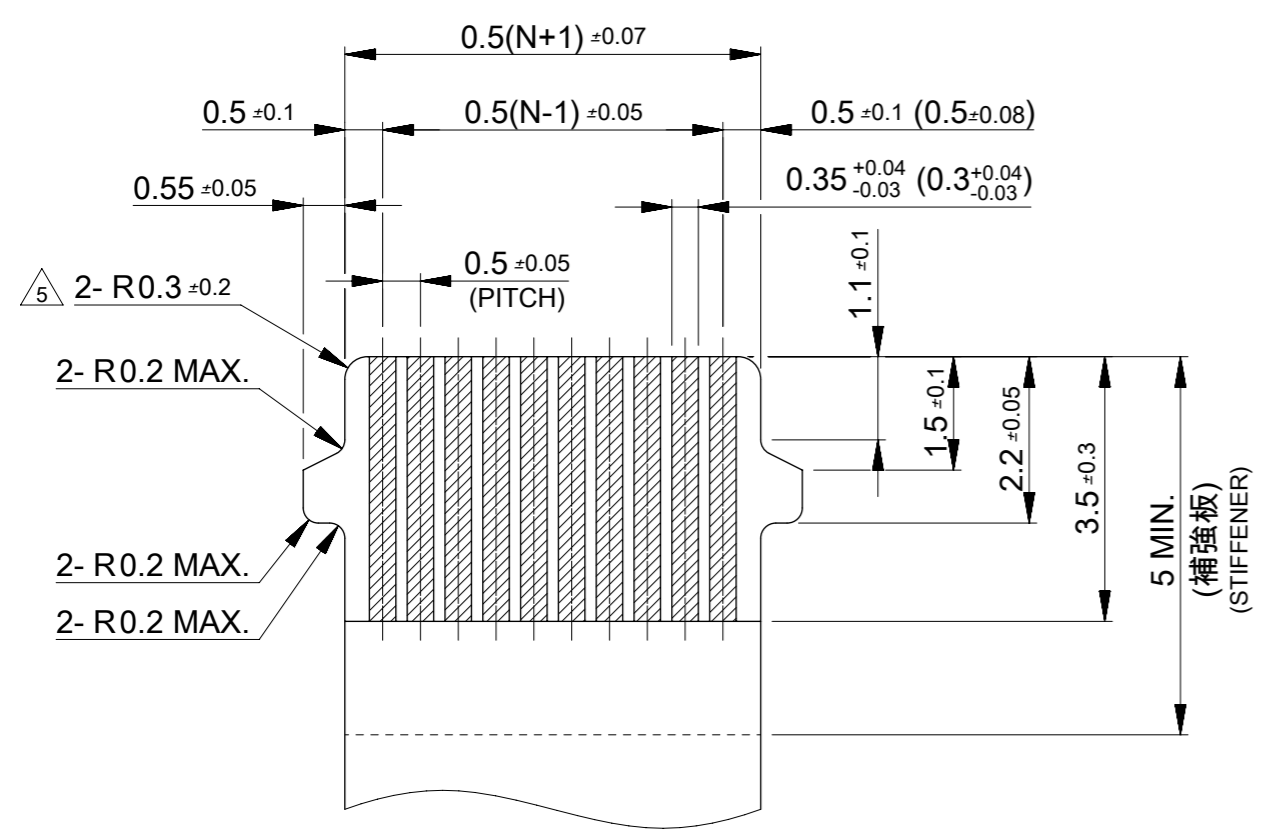
DIMENSION UNITS	SCALE	CURRENT REV DESC:					
mm	8:1						
GENERAL TOLERANCES (UNLESS SPECIFIED)							
ANGULAR TOL	± 3.0°	EC NO: 620381					
4 PLACES	± 0.2	DRWN: JASANUMA	2019/07/10				
3 PLACES	± 0.2	CHK'D: YNAITO	2019/08/13				
2 PLACES	± 0.2	APPR: RTAKEUCHI	2019/08/13				
1 PLACE	± 0.25	INITIAL REVISION:					
0 PLACES	± 0.3	DRWN: JASANUMA	2018/10/05				
		APPR: RTAKEUCHI	2018/10/10				
DRAFT WHERE APPLICABLE MUST REMAIN WITHIN DIMENSIONS		THIRD ANGLE PROJECTION	DRAWING	SERIES	MATERIAL NUMBER	CUSTOMER	SHEET NUMBER
			A3-SIZE	505110			2 OF 4

molex

0.5 FPC ZIF 2 CONT HSG ASSY

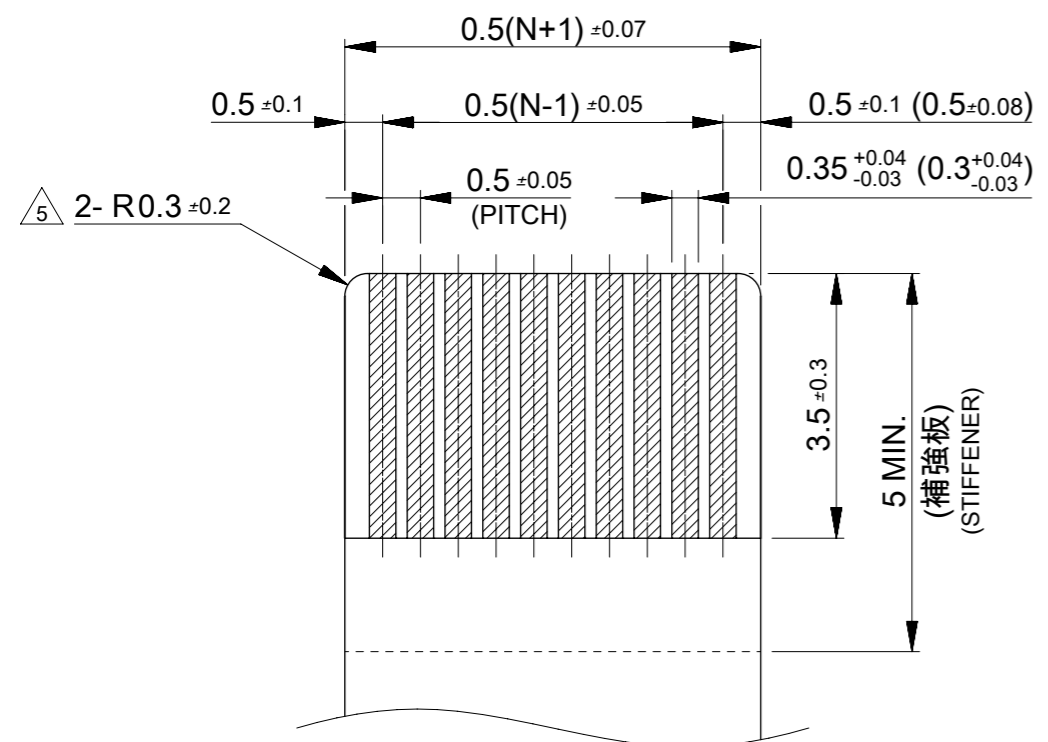
PRODUCT CUSTOMER DRAWING

DOCUMENT NUMBER: 5051101008-SD | DOC TYPE: PSD | DOC PART: 000 | REVISION: B



適合FPC/FFC推奨寸法
APPLICABLE FPC/FFC RECOMMENDED DIMENSION

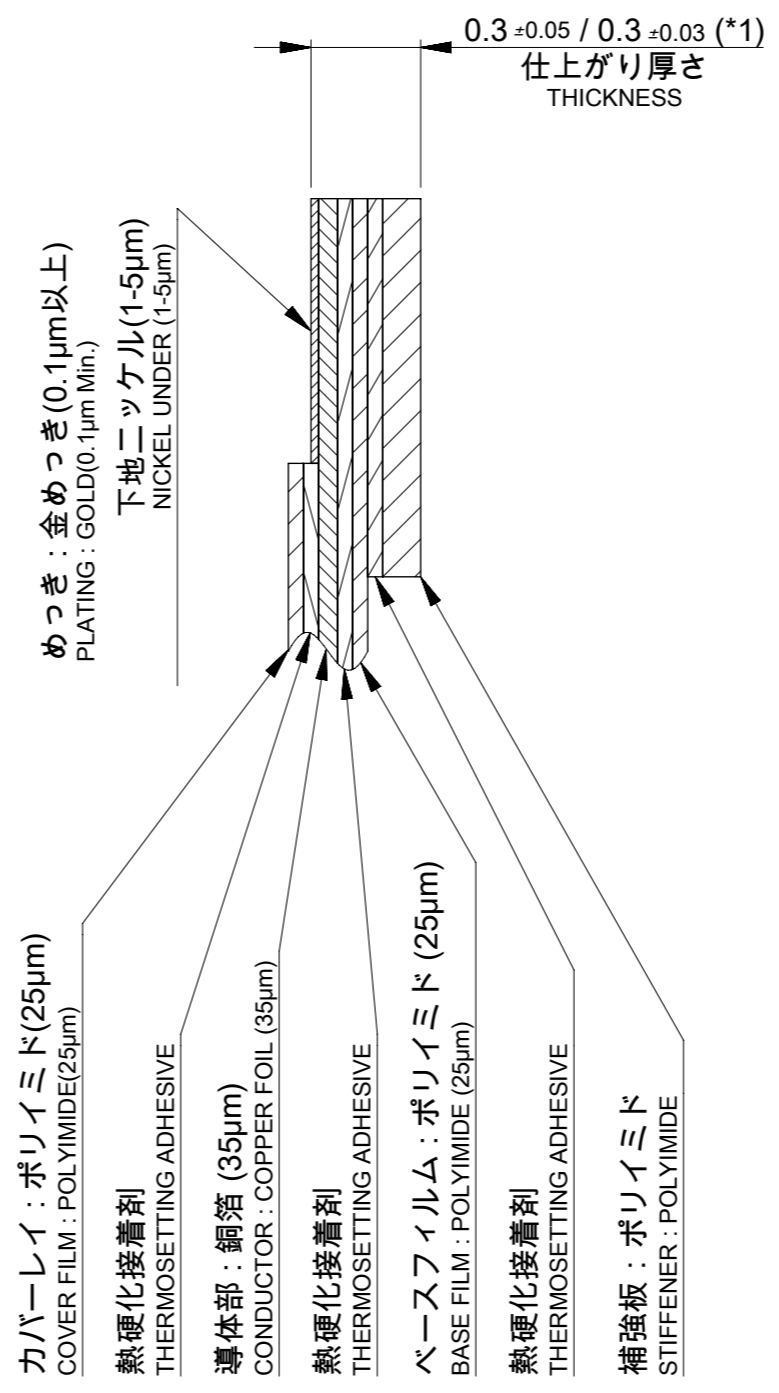
() : FFCに適用
() : APPLY TO FFC



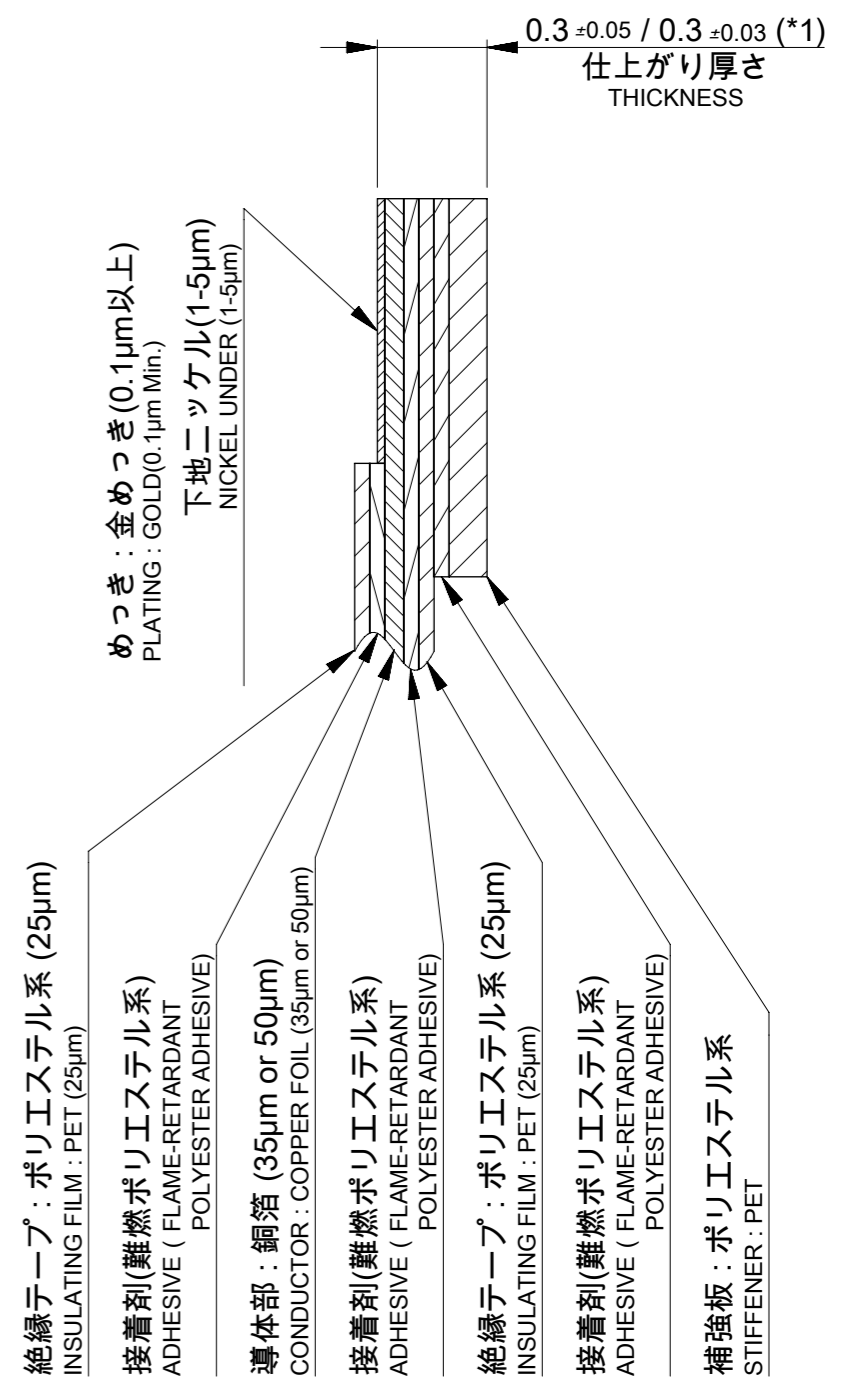
適合FPC/FFC推奨寸法
APPLICABLE FPC/FFC RECOMMENDED DIMENSION

() : FFCに適用
() : APPLY TO FFC

*1 : 125°Cを超える環境下で使用する場合に適用。
Apply when use in over 125 deg.C environment.

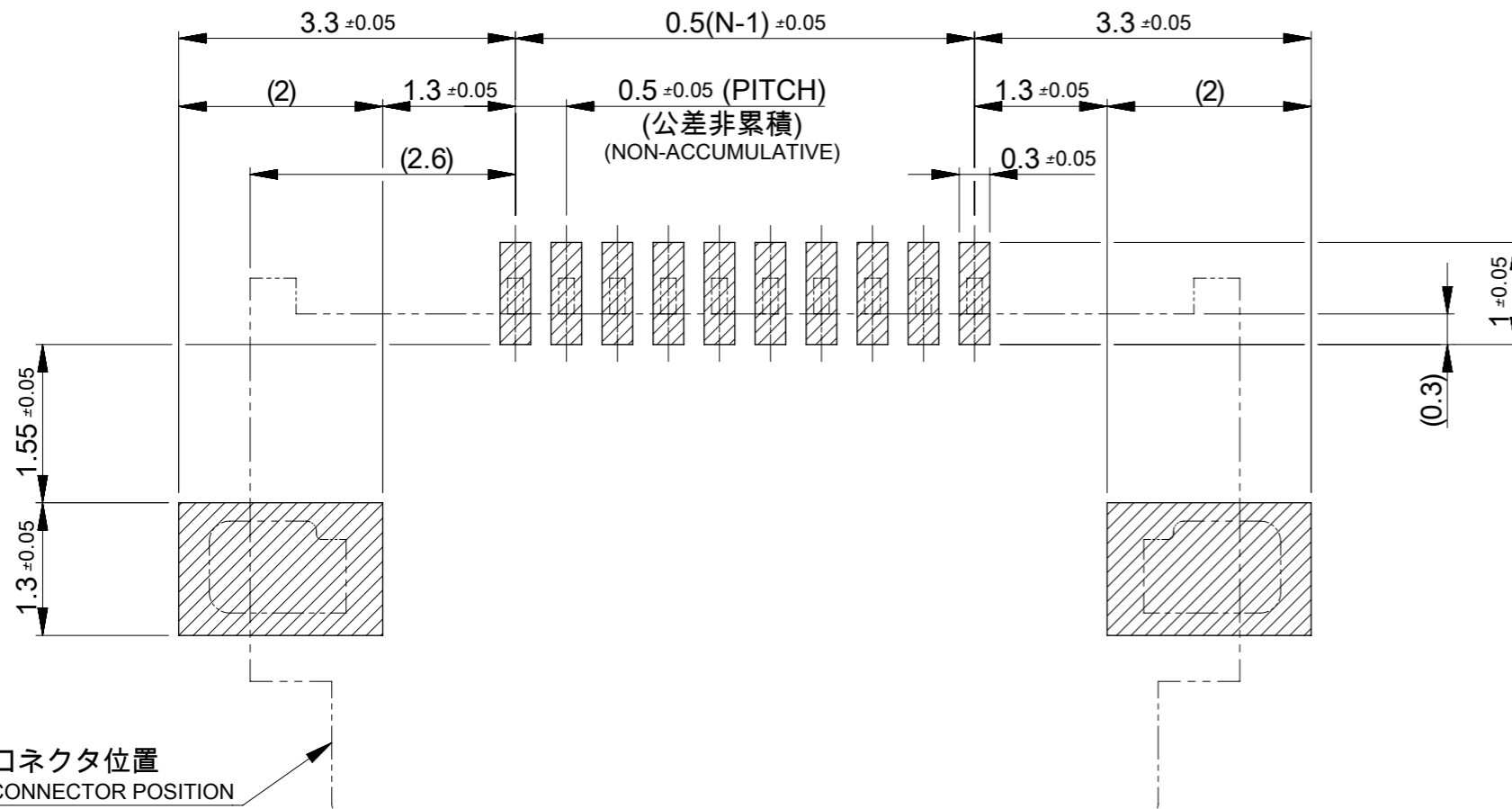


FPC構成推奨仕様
STRUCTURE OF FPC



FFC構成推奨仕様
STRUCTURE OF FFC

THIS DRAWING CONTAINS INFORMATION THAT IS PROPRIETARY TO MOLEX ELECTRONIC TECHNOLOGIES, LLC AND SHOULD NOT BE USED WITHOUT WRITTEN PERMISSION		CURRENT REV DESC:		molex	
DIMENSION UNITS	SCALE				
mm	10:1			0.5 FPC ZIF 2 CONT HSG ASSY	
GENERAL TOLERANCES (UNLESS SPECIFIED)				PRODUCT CUSTOMER DRAWING	
ANGULAR TOL	± 3.0°	EC NO:	620381	DOCUMENT NUMBER	
4 PLACES	± 0.2	DRWN:	JASANUMA 2019/07/10	5051101008-SD	
3 PLACES	± 0.2	CHK'D:	YNAITO 2019/08/13	DOC TYPE	DOC PART
2 PLACES	± 0.2	APPR:	RTAKEUCHI 2019/08/13	PSD	000
1 PLACE	± 0.25	INITIAL REVISION:		REVISION	B
0 PLACES	± 0.3	DRWN:	JASANUMA 2018/10/05	SHEET NUMBER	
DRAFT WHERE APPLICABLE MUST REMAIN WITHIN DIMENSIONS		APPR:	RTAKEUCHI 2018/10/10	3 OF 4	
THIRD ANGLE PROJECTION		DRAWING	A3-SIZE	SERIES	
		SERIES	505110	MATERIAL NUMBER	
		CUSTOMER			



推奨基板レイアウト
RECOMMENDED P.W.B PATTERN LAYOUT

参考マスク厚 : 100µm
REFERENCE SCREEN THICKNESS : 100µm
参考マスク開口率 : 100%
REFERENCE SCREEN OPEN RATIO : 100%

コネクタ位置
CONNECTOR POSITION

FPC/FFCについて ABOUT FPC/FFC

打ち抜き方向は導体側から補強板側を推奨します。
導体部については軟箔銅35µmまたは50µmを推奨します。
FFCに規定された定格温度がFFC単体前提である場合が御座います。
コネクタと組み合わせた実使用において、接着層が劣化するなどの信頼性を満足できないケースを回避するため、
実機での評価/確認をお願いいたします。
RECOMMENDED PUNCHING DIRECTION : FROM CONDUCTOR SIDE TO STIFFENER SIDE
RECOMMENDED CONDUCTOR SPEC : SOFT COPPER FOIL
RECOMMENDED CONDUCTOR THICKNESS : 35 MICROMETER OR 50 MICROMETER
NOTE : WHEN ACTUALLY USING IT WITH CONNECTOR, PLEASE DO THE EVALUATION AND THE CONFIRMATION WITH AN ACTUAL EQUIPMENT TO EVADE THE CASE WHERE RELIABILITY CANNOT BE FILLED (THE ADHESIVE LINE OF FFC IS DETERIORATED ETC.)

FPCについて ABOUT FPC

補強フィルム材質はポリイミドを推奨します。ベースフィルムは25µmを推奨します。
接着剤は熱硬化接着剤を推奨します。
尚、接着剤の接点部への付着は導通不良の原因になりますので、染み出しが無い様お願い致します。
RECOMMENDED STIFFENER MATERIAL : POLYIMIDE
RECOMMENDED BASE FILM THICKNESS : 25 MICROMETER
RECOMMENDED ADHESIVE : THERMOSETTING ADHESIVE
NOTE : PLEASE PUT APPROPRIATE AMOUNT OF ADHESIVE ON ADHEREND BECAUSE THERE IS A POSSIBILITY THAT THE EXTRA ADHESIVE CAUSES THE DEFECT IN ELECTRICAL CONTINUITY.

注記 NOTES

1. 使用材料 MATERIAL
ハウジング : 液晶ポリマー ガラス充填、UL94V-0 (ベージュ)
HOUSING : LIQUID CRYSTAL POLYMER GLASS FILLED, UL94V-0 (BEIGE)
アクチュエータ : ポリアミド ガラス充填、UL94V-0 (黒)
ACTUATOR : POLYAMIDE GLASS FILLED, UL94V-0 (BLACK)
ターミナル : 銅合金(t=0.15)
TERMINAL : COPPER ALLOY
金具 : リン青銅 (t=0.15)
FITTING NAIL : PHOSPHOR BRONZE
2. めっき仕様 PLATING
ターミナル TERMINAL
コンタクト部 : 部分金めっき (0.05µm以上)
CONTACT AREA : SEPARATED GOLD PLATING (0.05µm MINIMUM)
テール部 : 部分金めっき
SOLDER TAIL AREA : SEPARATED GOLD PLATING
下地:ニッケルめっき (1.0µm以上)
UNDERPLATE : NICKEL OVERALL (1.0µm MINIMUM)
金具 FITTING NAIL
錫めっき (1.0µm以上)
TIN PLATING (1.0µm MINIMUM)
下地:ニッケルめっき (1.0µm以上)
UNDER PLATING : NICKEL PLATING (1.0µm MINIMUM)
3. エンボステープ梱包時は、アクチュエータが閉じた状態とする。
IN THE PACKAGE, ACTUATOR OF PART SHOULD BE CLOSED.
4. パターン剥離止め用金具
FITTING NAIL FOR PREVENTING PEELING OF P.W.B. PATTERN.
5. R0.3はFPC/FFC導体部にかからないこと。
R0.3 MUST NOT BE OVERLAPPED TO PATTERN OF FPC/FFC.
6. N : 極数 N : CIRCUIT
7. テールと金具を併せた平坦度は0.1mm以下とする。
TAILS AND NAILS COPLANALITY TO BE 0.1mm MAXIMUM.

THIS DRAWING CONTAINS INFORMATION THAT IS PROPRIETARY TO MOLEX ELECTRONIC TECHNOLOGIES, LLC AND SHOULD NOT BE USED WITHOUT WRITTEN PERMISSION		CURRENT REV DESC:		molex	
DIMENSION UNITS	SCALE				
mm	15:1			0.5 FPC ZIF 2 CONT HSG ASSY	
GENERAL TOLERANCES (UNLESS SPECIFIED)		EC NO: 620381		PRODUCT CUSTOMER DRAWING	
ANGULAR TOL	± 3.0°	DRWN: JASANUMA	2019/07/10	DOCUMENT NUMBER	
4 PLACES	± 0.2	CHK'D: YNAITO	2019/08/13	5051101008-SD	
3 PLACES	± 0.2	APPR: RTAKEUCHI	2019/08/13	DOC TYPE	DOC PART
2 PLACES	± 0.2	INITIAL REVISION:		PSD	000
1 PLACE	± 0.25	DRWN: JASANUMA	2018/10/05	REVISION	
0 PLACES	± 0.3	APPR: RTAKEUCHI	2018/10/10	B	
DRAFT WHERE APPLICABLE MUST REMAIN WITHIN DIMENSIONS		THIRD ANGLE PROJECTION	DRAWING	SERIES	MATERIAL NUMBER
			A3-SIZE	505110	CUSTOMER
				SHEET NUMBER	
				4 OF 4	