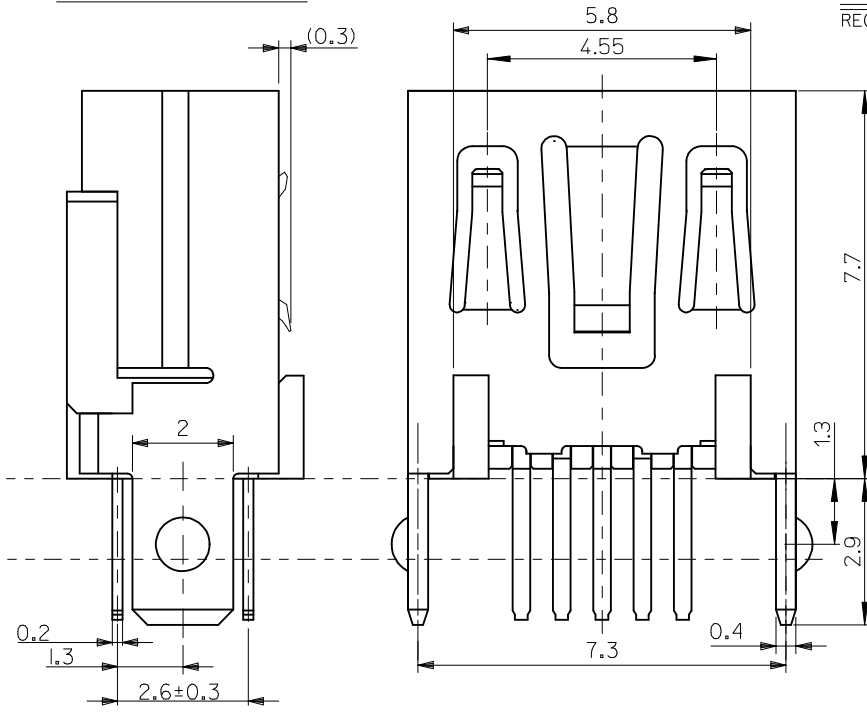
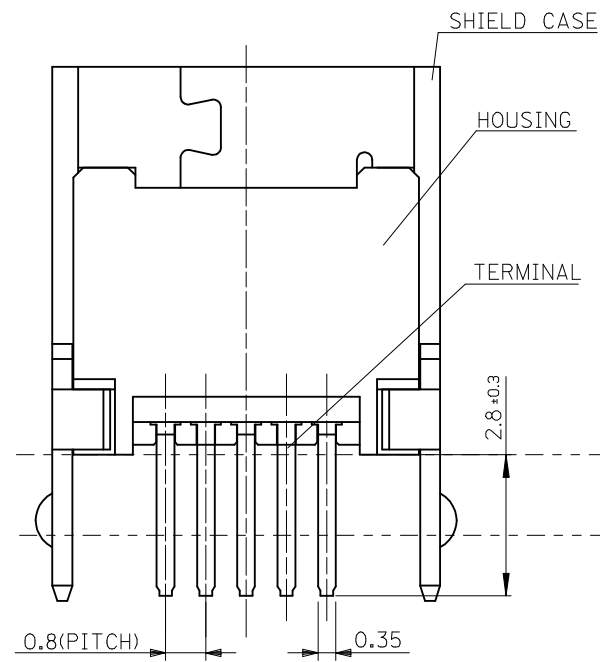


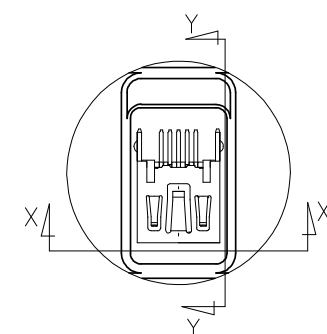
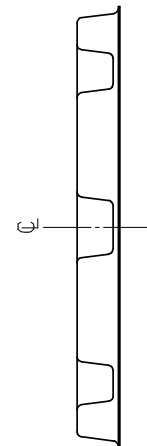
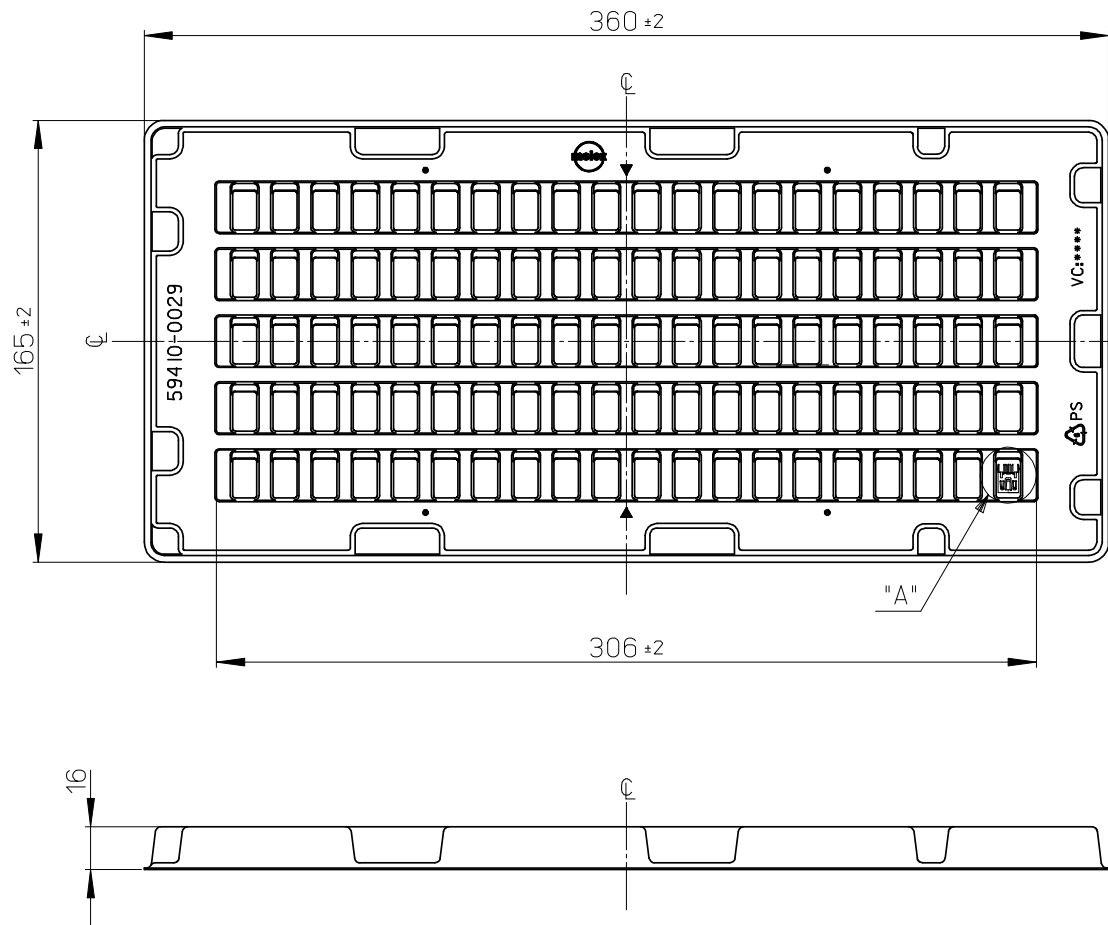
推奨基板寸法  
RECOMMENDED P.C.B. PATTERN LAYOUT  
(SCALE 5:1)



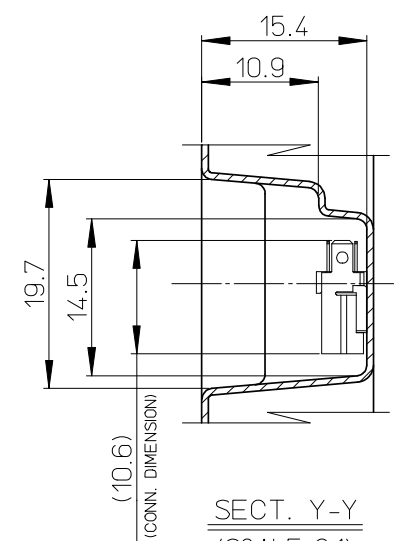
- 注記  
NOTES
- 材質  
MATERIAL  
ハウジング: ポリアミド, 黒色, UL94V-0  
HOUSING: POLYAMIDE, BLACK, UL94V-0  
ターミナル: 銅合金 (t=0.2)  
TERMINAL: COPPER ALLOY (t=0.2)  
シールド ケース: 銅合金 (t=0.4)  
SHIELD CASE: COPPER ALLOY (t=0.4)
  - メッキ仕様  
PLATING  
ターミナル  
TERMINAL  
接点部: 金メッキ  
CONTACT AREA: GOLD  
半田付け部: 錫メッキ  
SOLDER TAIL AREA: TIN  
下地部: ニッケルメッキ  
UNDER PLATING: NICKEL  
シールド ケース  
SHIELD CASE  
錫メッキ  
TIN  
下地部: ニッケルメッキ  
UNDER PLATING: NICKEL

502237-0517  
TRAY PKG.  
ORDER No./オーダー番号

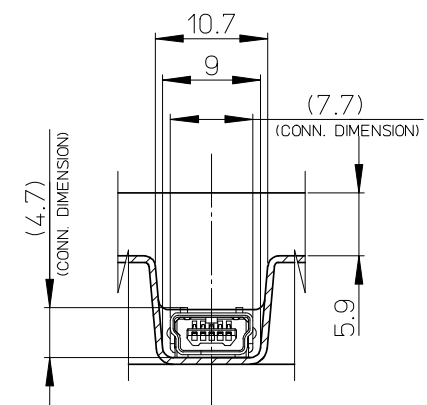
REVISED EC NO: J2009-2284 DRW: NESATO 2009/06/29 CHKD: MATSUMOTO 2009/06/30 APPR: NUKITA 2009/06/30	GENERAL TOLERANCES (UNLESS SPECIFIED)		DIMENSION STYLE MM ONLY		SCALE 10:1	DESIGN UNITS METRIC	THIRD ANGLE PROJECTION	
	10 UNDER	±0.2	DRAWN BY MTANAKA	DATE 06/03/29	TITLE USB SERIES MINI-B STRAIGHT REC. ASSY -LEAD FREE-			
	10 OVER 30 UNDER	±0.25	CHECKED BY NUKITA	DATE 06/03/29	MOLEX INCORPORATED			
	30 OVER	±0.3	APPROVED BY NUKITA	DATE 06/03/29	DOCUMENT NO. SD-502237-001		SHEET NO. 1 OF 1	
ANGULAR	±3 °	MATERIAL NO. SEE SHEET		THIS DRAWING CONTAINS INFORMATION THAT IS PROPRIETARY TO MOLEX INCORPORATED AND SHOULD NOT BE USED WITHOUT WRITTEN PERMISSION				
DRAFT WHERE APPLICABLE MUST REMAIN WITHIN DIMENSIONS								



DETAIL A  
(SCALE 2:1)



SECT. Y-Y  
(SCALE 2:1)



SECT. X-X  
(SCALE 2:1)

注記

1. 一般交差 : ±0.5  
GENERAL TOLERANCES: ±0.5
2. 各部の反りは2.0MAX.  
WARP: 2.0MAX.
3. 梱包数 : 100個  
PACKAGING QUANTITY: 100PCS.

RELEASED EC NO: J2008-3626 DRWN: YOKUZONO CHKD: HARUYAMA APPR: NUKITA	GENERAL TOLERANCES (UNLESS SPECIFIED)		DIMENSION STYLE MM ONLY		SCALE 1:2	DESIGN UNITS METRIC	THIRD ANGLE PROJECTION	
	10 UNDER	± ---	DRAWN BY Y. TOKUZONO		DATE 2008/4/14	TRAY FOR 502237 (USB SERIES MINI-B REC. HS'G ASS'Y S/T)  <b>molex</b> MOLEX INCORPORATED  DOCUMENT NO. SD-502237-002 SHEET NO. 1 OF 1		
	10 OVER 30 UNDER	± ---	CHECKED BY T. HARUYAMA		DATE 2008/4/14			
	30 OVER	± ---	APPROVED BY N. UKITA		DATE 2008/4/14			
ANGULAR	± --- °	MATERIAL NO. 594100029		DOCUMENT NO. SD-502237-002				
DRAFT WHERE APPLICABLE MUST REMAIN WITHIN DIMENSIONS			SIZE A3	THIS DRAWING CONTAINS INFORMATION THAT IS PROPRIETARY TO MOLEX INCORPORATED AND SHOULD NOT BE USED WITHOUT WRITTEN PERMISSION				

502237-1517
502237-0517
適用製品番号 APPLICABLE PART No.