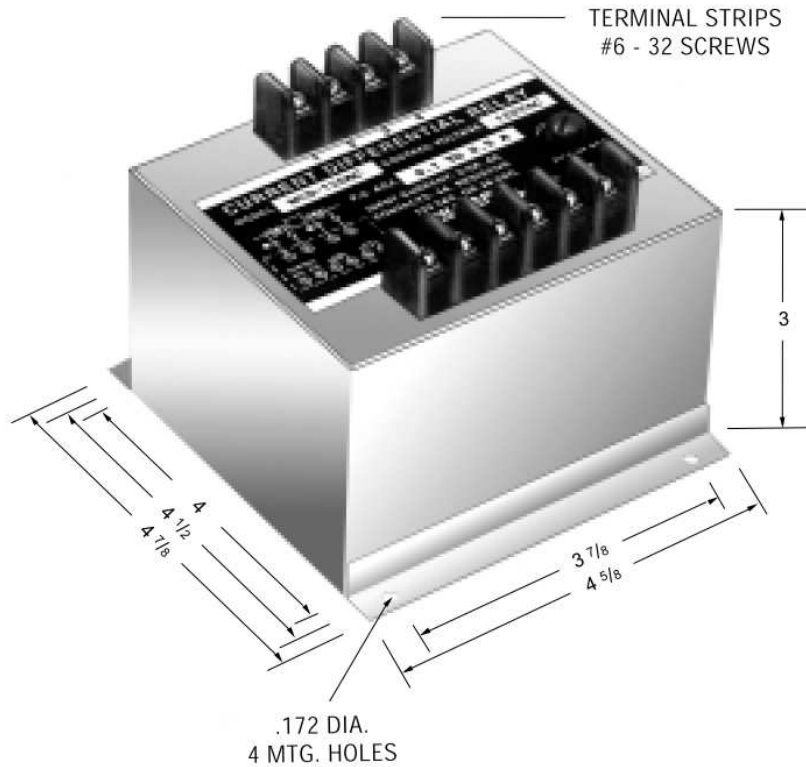


WILMARTM PROTECTIVE RELAYS—WCD SERIES

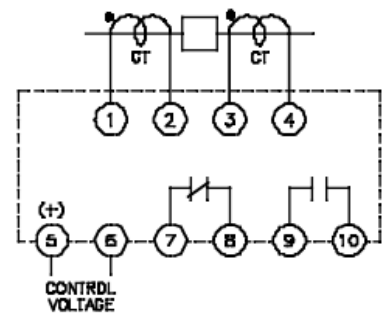
REVISIONS

REV.	ECO	DESCRIPTION	DATE	APPROVED
A	-	INITIAL DRAWING	04SEP2020	TN



**Note:** Dimensions in inches. Multiply values by 25.4 for dimensions in mm.

PRODUCT SPECIFICATIONS	
Part Number	WCD Series
Line Current .....	Single Phase, AC current, 50-400 Hz Direct or from CT 5 amp continuously 20 amp 30 seconds 200 amp, 0.10 seconds
Control Voltage .....	See Part Number Selection
Differential Trip Point .....	Screwdriver adjustable. See Part Number Selection
Operating Temperature .....	-40°C to +75°C
Burden .....	Current input: 2.5 VA max. Control voltage DC: 2 W max. AC: 2 VA max.
Output Contacts .....	One set, N.O., One set N.C.
Contact Ratings .....	5 amp resistive at 120 VAC or 28 VDC



TITLE  
WCD-120AC-1=RELAY, CURRENT DIFFERENTIAL

TE P.N.  
4-1618377-3

DWG NO.  
WCD-SERIES

DS DATA SHEET

CAGE CODE  
18741

SCALE  
NONE

SHEET  
1 OF 2

REV  
A

**Function: 87**

- ANSI/IEEE C37.90-1978

Current Differential Relays are used for the protection of transformers, motors and generators, by comparing the magnitude of the current entering and leaving the protected circuit. On a given phase winding, any difference between the two currents will indicate an internal fault; the relay will sense the vectorial difference between the two currents of the protected section and will initiate a quick disconnection of the unit, to prevent disastrous consequences.

The relay may also be used to protect internal faults on transformers, such as: ground faults, shorted winding, leakage between primary and secondary, etc. It will sense and compare primary vs. secondary currents, once the turns ratio has been taken into consideration.

**Operation:**

With control voltage applied, the output contacts (shown in the de-energized position) will remain de-energized as long as the difference between the two input currents remains below the preset trip value. The contact will transfer to the energized position when the current difference exceeds the trip value.

**PART NUMBER SELECTION**

Sample Part No. WCD-230AC-1-A

Type: \_\_\_\_\_

WCD - Close Differential

Control Voltage VAC & VDC \_\_\_\_\_

- 120AC      25DC
- 208AC      48DC
- 230AC      125DC
- 380AC
- 416AC
- 460AC
- 525AC
- 575AC

Trip Adjustment Range \_\_\_\_\_


- .5 = 0.1 amp to 0.5 amp
- 1 = 0.2 amp to 1.0 amp
- 2 = 0.4 amp to 2.0 amp

Options \_\_\_\_\_

- A = Two normally open contacts
- B = Two normally closed contacts
- H = Contacts rated 3 amp at 125 VDC
- P = Transient protection is provided in compliance with ANSI/IEEE C37.90-1978

**Notes:**

1. Remove black screws for access to the trip adjustments.
2. Clockwise rotation of the adjustment potentiometer will raise the current differential trip point.
3. The output contacts are shown de-energized.

 TE CONNECTIVITY CARPINTERIA, CA 93013		TITLE WCD-120AC-1=RELAY, CURRENT DIFFERENTIAL			
		TE P.N. 4-1618377-3		DWG NO. WCD-SERIES	
DS	DATA SHEET	CAGE CODE 18741	SCALE NONE	SHEET 2 OF 2	REV A