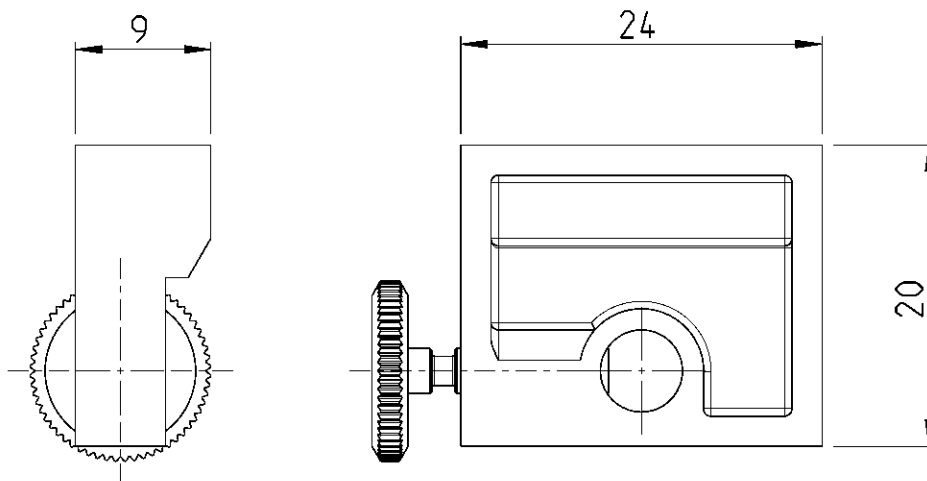


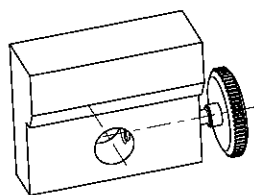
LOC	DIST	REVISIONS				
P	LTR	DESCRIPTION	DATE	DWN	APVD	
AI	-	A	INITIAL REVISION	18JUN10	wi	-

# STRIPPING HAND TOOLS WIRE STOP



Ersatzanschlag fuer Abisolierzangen  
TE PN 1-1579002-2 / 4-1579002-2 / 3-1579002-6

Spare wire stop usable on stripping tools  
TE PN 1-1579002-2 / 4-1579002-2 / 3-1579002-6



2009

RELEASED FOR PUBLICATION

BY TYCO ELECTRONICS CORPORATION. ALL INTERNATIONAL RIGHTS RESERVED.

© COPYRIGHT 2009

THIS DRAWING IS UNPUBLISHED.

DIMENSIONS: mm	DWN	18JUN2010	MATERIAL	-	FINISH	-
	C. Witt					
TOLERANCES UNLESS OTHERWISE SPECIFIED:	CHK	-	Tyco Electronics Tyco Electronics AMP GmbH 64625 Bensheim (Germany)			
	APVD	-				
0 PLC ±	PRODUCT SPEC	-	NAME			
1 PLC ±		-	WIRE STOP			
2 PLC ±	APPLICATION SPEC	-	Anschlag			
3 PLC ±		-	SIZE	CAGE CODE	DRAWING NO	RESTRICTED TO
4 PLC ±		-	A 4	00779	©-3-1579025-7	-
ANGLES ±°	WEIGHT	8 g	CUSTOMER DRAWING			
			SCALE	2:1	SHEET 1 OF 1	REV A