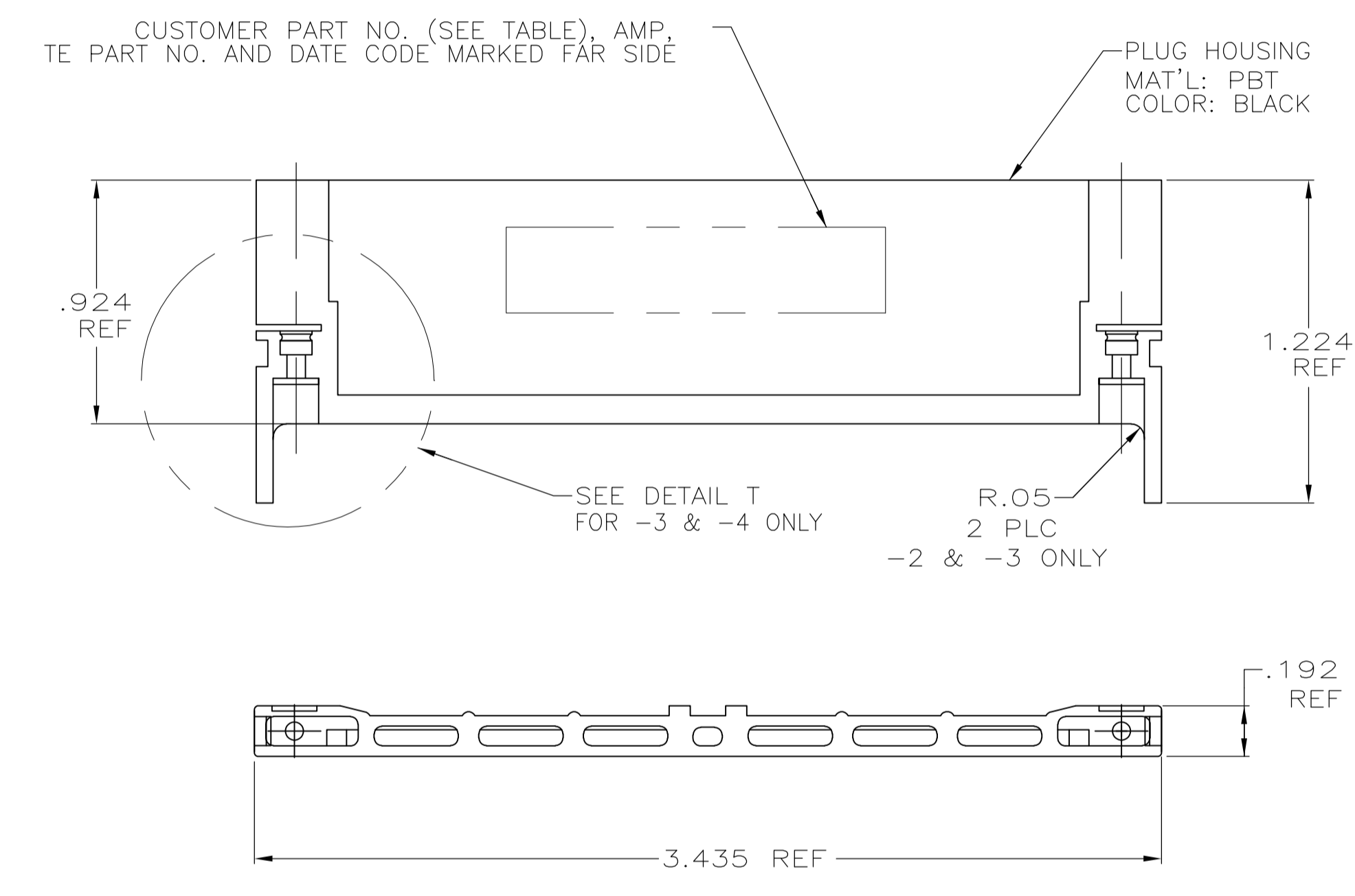
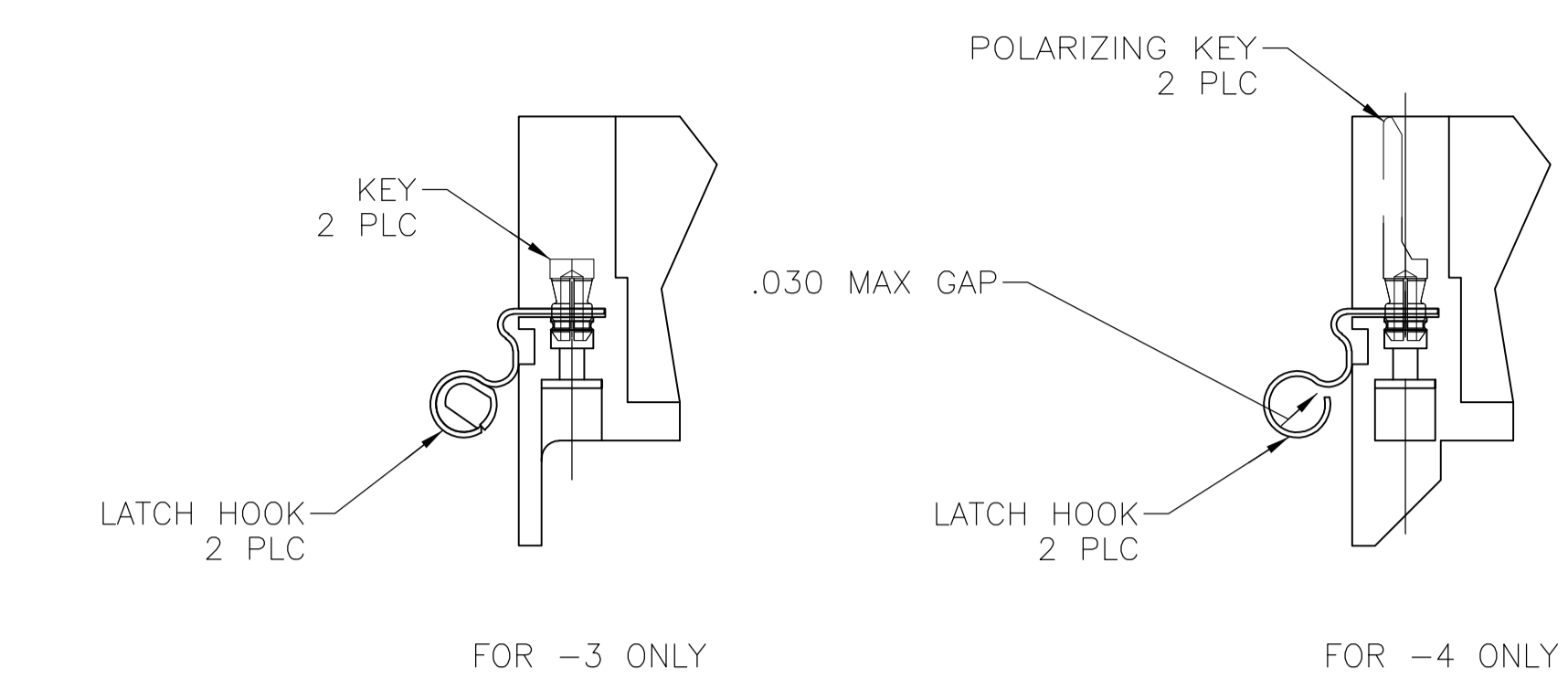
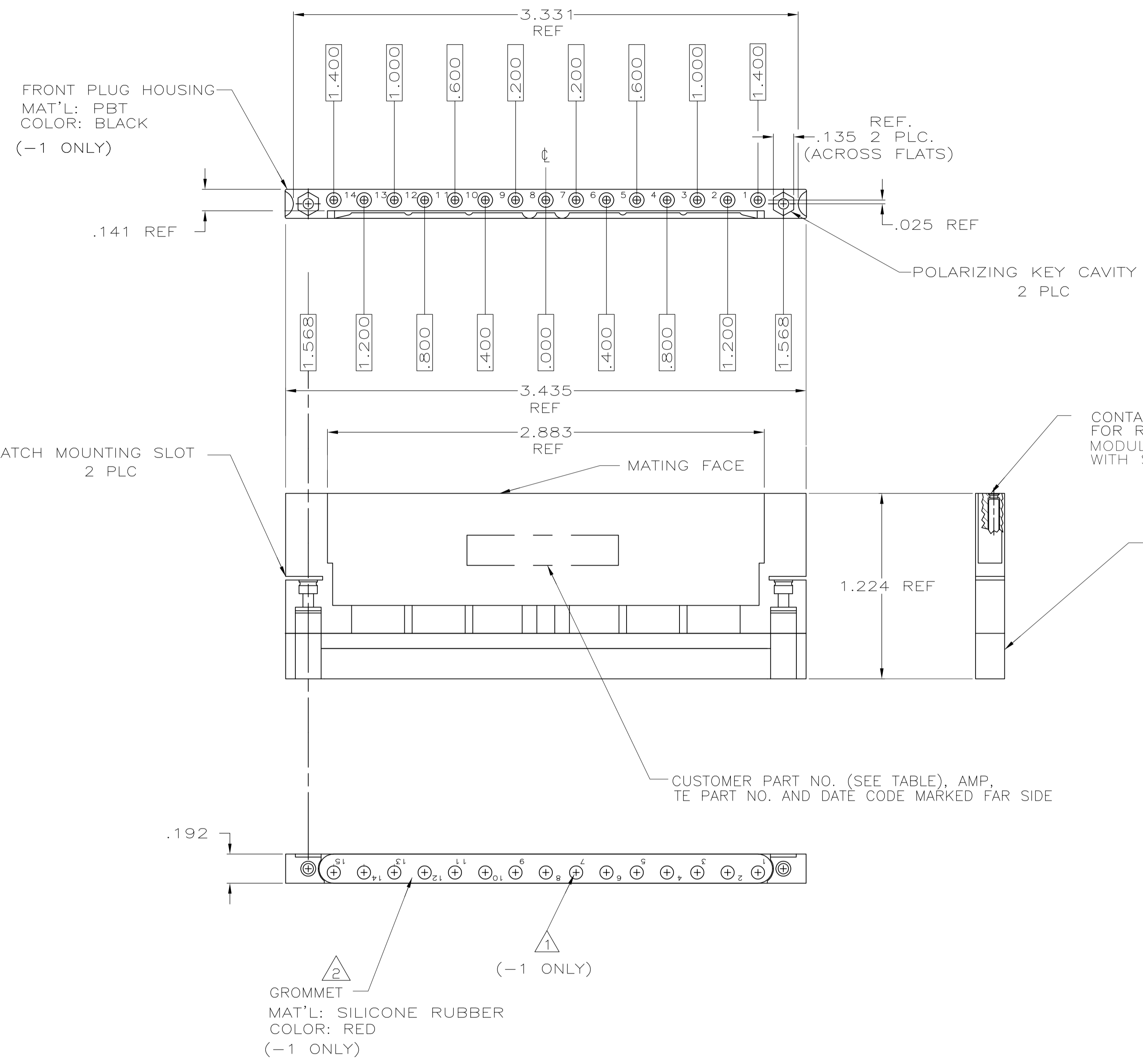


LOC		DIST		REVISIONS			
DF	AO	REV	PER	DESCRIPTION	DATE	DWN	APVD
N		REV PER	ECO-08-003154		18MAR08	PY	KT



- △ CONTACT RETENTION CLIP (NOT SHOWN)  
 MATERIAL: STAINLESS STEEL
- △ GAP ALLOWABLE BETWEEN THE SIDE OF THE HOUSING AND THE SIDE OF THE GROMMET, UP TO .016

CUSTOMER MARKING	DESCRIPTION	PART NUMBER
-	SAME AS -2 EXCEPT SEE DETAIL T	213408-4
284U1396-3	SAME AS -2 EXCEPT SEE DETAIL T	213408-3
-	SAME AS -1 EXCEPT AS SHOWN	213408-2
-	AS SHOWN	213408-1

THIS DRAWING IS A CONTROLLED DOCUMENT.		DWN C.C.THOMAS 2-14-02	Tyco Electronics Corporation Harrisburg, PA 17105-3608	
DIMENSIONS: INCHES		CHK S.GLATFELTER 2-14-02	NAME S.GLATFELTER 2-14-02	
TOLERANCES UNLESS OTHERWISE SPECIFIED:		PRODUCT SPEC		
0 PLC	± .005	APPLICATION SPEC		
1 PLC	± .002	SIZE		
2 PLC	± .001	CAGE CODE		
3 PLC	± .0005	DRAWING NO		
4 PLC	± .0002	RESTRICTED TO		
ANGLES	± .0001	A1 00779 ©=213408		
FINISH	-	WEIGHT		
MATERIAL SEE CALLOUTS		CUSTOMER DRAWING		
		SCALE 2:1		SHEET 1 OF 1
				REV N