

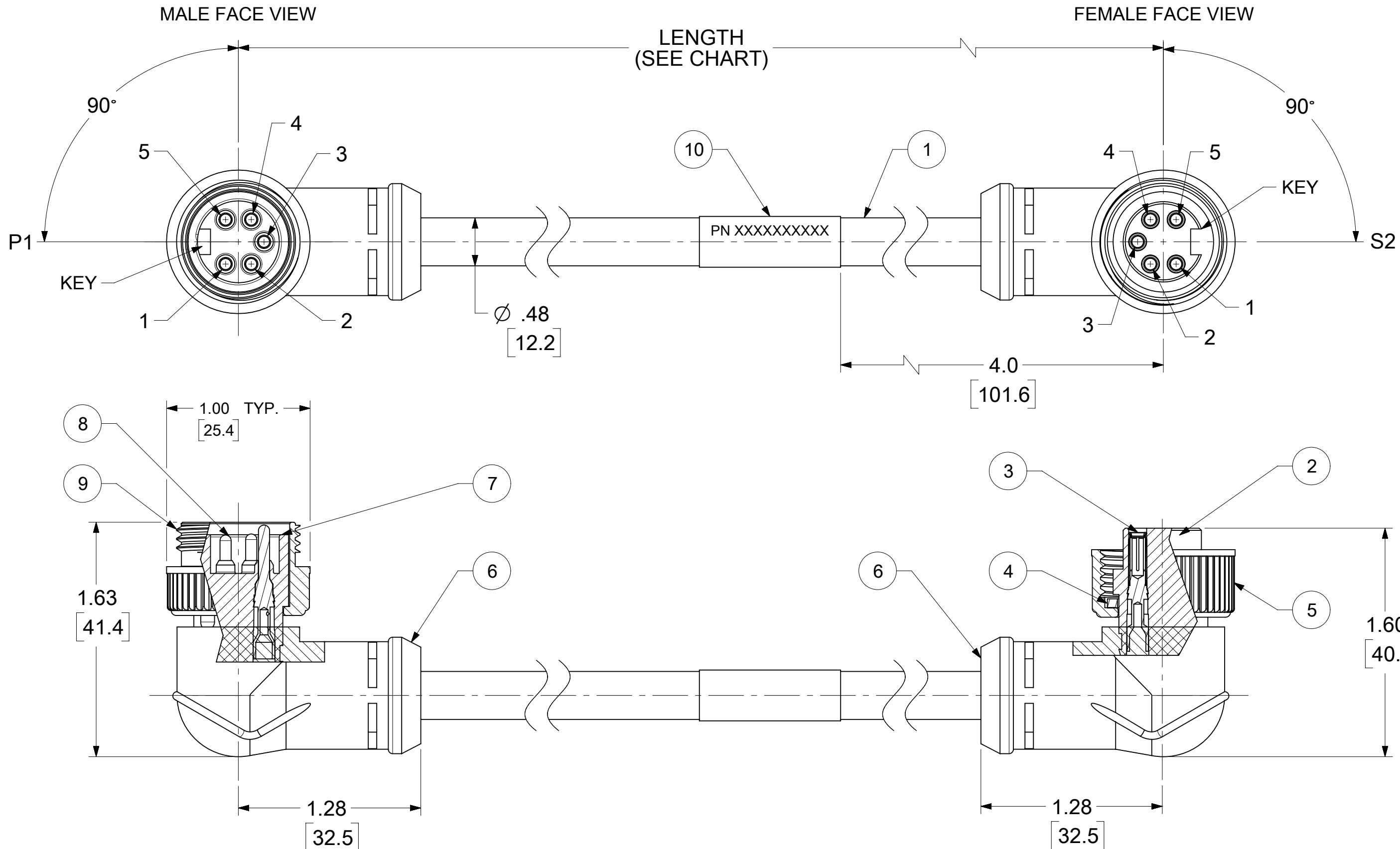
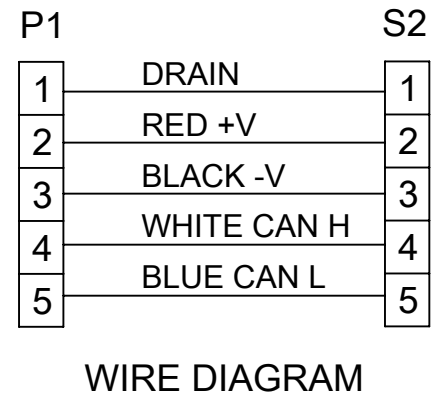
MATERIAL NO.	ENGINEERING NO.	FINISHED LENGTH
1300250196	DN99A-M006	1 FT 11.6 IN [0.6M]
1300250197	DN99A-M010	3 FT 3.3 IN [1.0M]
1300250220	DN99A-M400	131 FT 2.8 IN [40.0M]
1300250223	DN99A-M750	246 FT [75.0M]

### PART NO. LEGEND

DN99A-M010

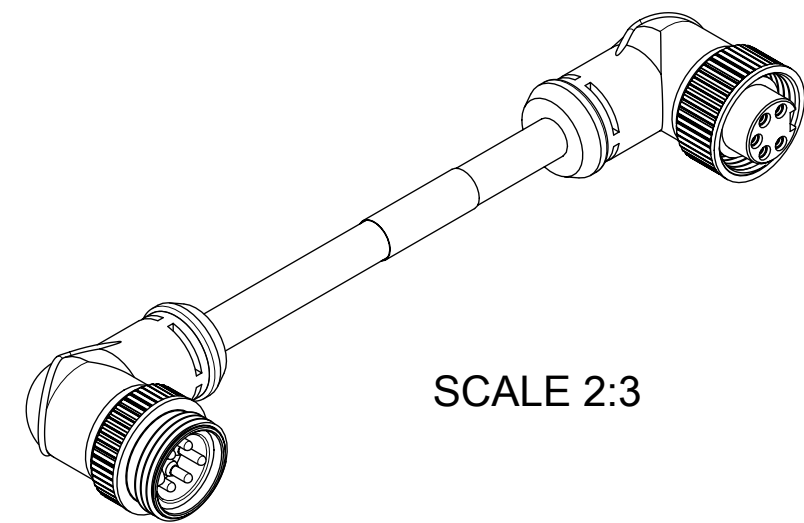
FINISHED LENGTH  
M005= 0.5 METER  
M010= 1 METER  
M100= 10 METER

CABLE LENGTH TOLERANCES	
<.3M [1FT]:	+19mm-0 [+1.75in-0]
.3 - .9M [1 - 3FT]:	+44.5mm-0 [+1.75in-0]
.9 - 1.8M [3 - 6FT]:	+55.6mm-0 [+2.19in-0]
1.8 - 3.7M [6 - 12FT]:	+88.9mm-0 [+3.50in-0]
3.7 - 7.3M [12 - 24FT]:	+165.1mm-0 [+6.50in-0]
7.3-14.6M [24 - 48FT]:	+317.5mm-0 [+12.50in-0]
14.6 - 30.5M [48-100FT]:	+622.3mm-0 [+24.50in-0]
OVER 30M [100FT]:	+2% OF FINISHED LENGTH



- NOTES:**
- MATERIAL: AS NOTED
  - FINISH: AS NOTED
  - ELECTRICAL SPECIFICATIONS  
VOLTAGE RATING: 300V PER IEC60664  
300V PER UL2238  
CURRENT RATING: 4A
  - TEMP RANGE: -20°C TO +80°C
  - COUPLING THREAD: 7/8-16 UN
  - PROTECTION: IP67 (WHEN MATED)
  - UL RECOGNIZED FILE: E152210  
CSA CERTIFIED FILE: LR6837
  - ALL DIMENSIONS ARE FOR REFERENCE UNLESS TOLERANCED OR NOTED OTHERWISE

ITEM	DESCRIPTION	MATERIAL	FINISH
10	LABEL	VINYL	BLACK/YELLOW
9	COUPLING NUT, MALE	ZINC DIE CAST	BLACK E-COAT
8	CONTACT PIN	BRASS	GOLD PLATED
7	INSERT, MALE, 5 POLE	TPE	BLACK
6	OVERMOLDS	TPE	GRAY
5	COUPLING NUT, FEMALE	ZINC DIE CAST	BLACK E-COAT
4	FRICTION RING	NYLON	WHITE
3	CONTACT SOCKET	BRASS	GOLD PLATED
2	INSERT, FEMALE, 5 POLE	TPE	BLACK
1	CABLE, DEV-NET, TRUNK, 18/2, 15/2	PVC JACKET	GRAY



FUNCTIONAL SYMBOLS	THIS DRAWING CONTAINS INFORMATION THAT IS PROPRIETARY TO MOLEX ELECTRONIC TECHNOLOGIES, LLC AND SHOULD NOT BE USED WITHOUT WRITTEN PERMISSION			
	DIMENSION UNITS	SCALE	CURRENT REV DESC: INSERT COLOR WAS GRAY	
FA = 0	INCH/MM	1.5:1		
FC = 0	GENERAL TOLERANCES (UNLESS SPECIFIED)			
DIVISIONAL SYMBOLS	4 PLACES	±	±	
	3 PLACES	±	±	
	2 PLACES	±	±	
	1 PLACE	±	±	
	0 PLACES	±	±	
	ANGULAR TOL	±	°	
DRAFT WHERE APPLICABLE MUST REMAIN WITHIN DIMENSIONS		THIRD ANGLE PROJECTION	DRAWING	SERIES
			C-SIZE	130025

EC NO: 702517		2022/04/07	
DRWN: RSTONE		2022/04/08	
CHK'D: MZIELINSKI		2022/04/12	
APPR: BWOODMAN			
INITIAL REVISION:			
DRWN: R. STONE		2009/05/11	
APPR: JFMURPHY		2009/05/15	

DOCUMENT NUMBER		DOC TYPE	DOC PART	REVISION
SD-130025-003		PSD	001	B1
MATERIAL NUMBER	CUSTOMER	SHEET NUMBER		
	GENERAL MARKET	1 OF 1		