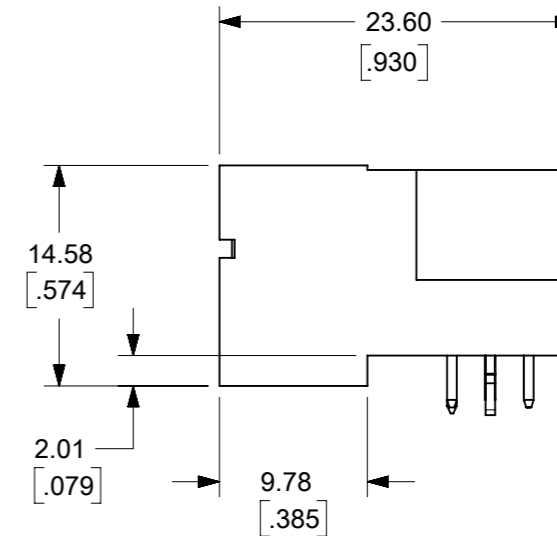


SHORT BLADE OPTION LONG BLADE OPTION

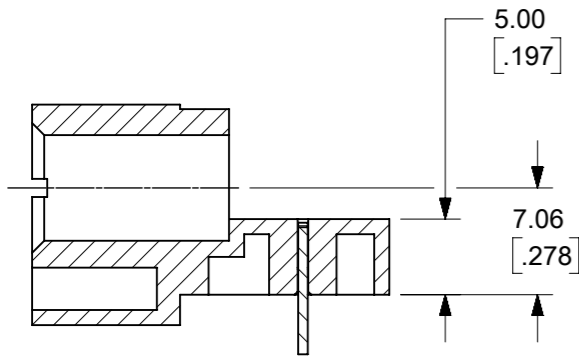
DETAIL R
(SEE TABLE FOR BLADE OPTION)



NOTES:

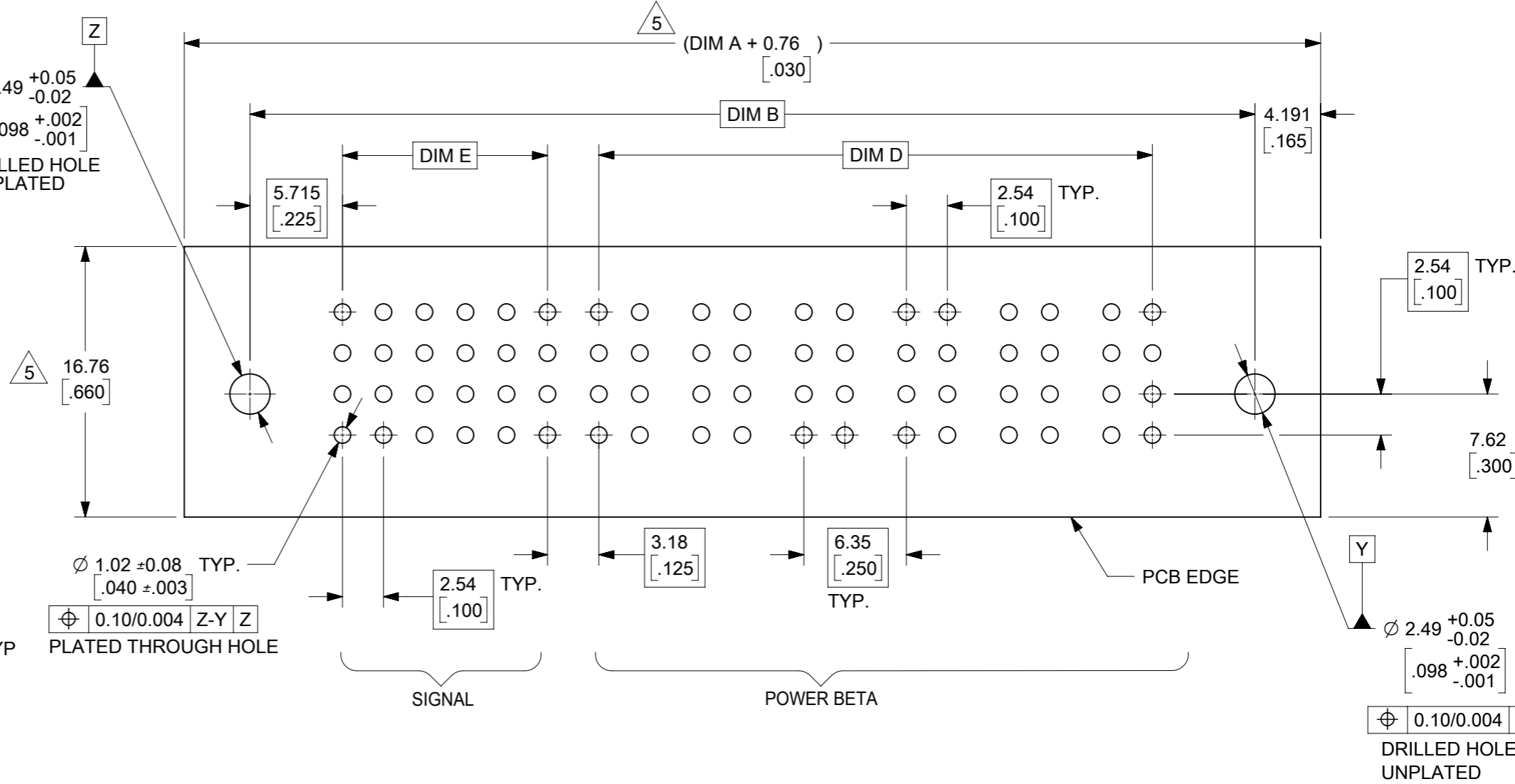
- 1 MATERIALS : HOUSING - LCP, GLASS FILLED, UL94V-0, COLOR: BLACK
POWER PINS - COPPER ALLOY
SIGNAL PINS - COPPER ALLOY
BOARD LOCK - COPPER ALLOY
- 2 FINISHES: POWER AD SIGNAL PINS
SELECTIVE GOLD IN THE CONTACT AREA
THICKNESS = 0.76 MICROMETER / 30 MICROINCH MINIMUM
SELECTIVE TIN IN THE PC TAIL AREA
THICKNESS = 2.54 MICROMETER / 100 MICROINCH MINIMUM
1.27um MINIMUM NICKEL OVERALL UNDERPLATE.
- 3 PRODUCT SPECIFICATIONS : PS-87631-006
- 4 SEE SHEET 2 FOR RECOMMENDED PCB LAYOUT AND THICKNESS
- 5 COMPONENT STAY AWAY ZONE FROM CONNECTOR
- 6 REFER TO THE TABLE ON TOP OF PAGE 3/3 FOR RECESSED PINS LOCATION
- 7 24 SIGNAL - 6 POWER CONNECTOR IS SHOWN FOR ILLUSTRATIO

THIS DRAWING CONTAINS INFORMATION THAT IS PROPRIETARY TO MOLEX ELECTRONIC TECHNOLOGIES, LLC AND SHOULD NOT BE USED WITHOUT WRITTEN PERMISSION									
DIMENSION UNITS MM/INCH		SCALE NTS		CURRENT REV DESC: OBSOLETE PART NO					
GENERAL TOLERANCES (UNLESS SPECIFIED)				EC NO: 625872					
4 PLACES ±		±		DRWN: VLOKESHA 2019/09/05				POWER CONNECTOR PLUG	
3 PLACES ±		± 0.01		CHK'D: GB 2019/11/06				S-P(B) CONFIGURATION R/A, T/H, BOARD-LOCK	
2 PLACES ±		± 0.25		APPR: GGA 2019/11/12				PRODUCT CUSTOMER DRAWING	
1 PLACE ±		±		INITIAL REVISION:				DOCUMENT NUMBER	
0 PLACES ±		±		DRWN: BHLOW 2002/10/28				SD-87667-013	
ANGULAR TOL ± 3.0°		±		APPR: SKTOH 2002/11/12				DOC TYPE DOC PART REVISION	
DRAFT WHERE APPLICABLE MUST REMAIN WITHIN DIMENSIONS		THIRD ANGLE PROJECTION		DRAWING		SERIES		MATERIAL NUMBER	
				A3-SIZE		87667		SEE TABLE	
				CUSTOMER		CHEROKEE		SHEET NUMBER	
								1 OF 3	

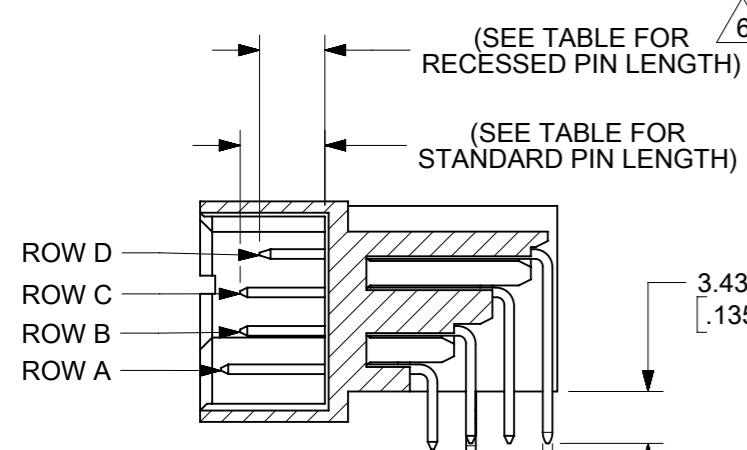


SECTION X-X

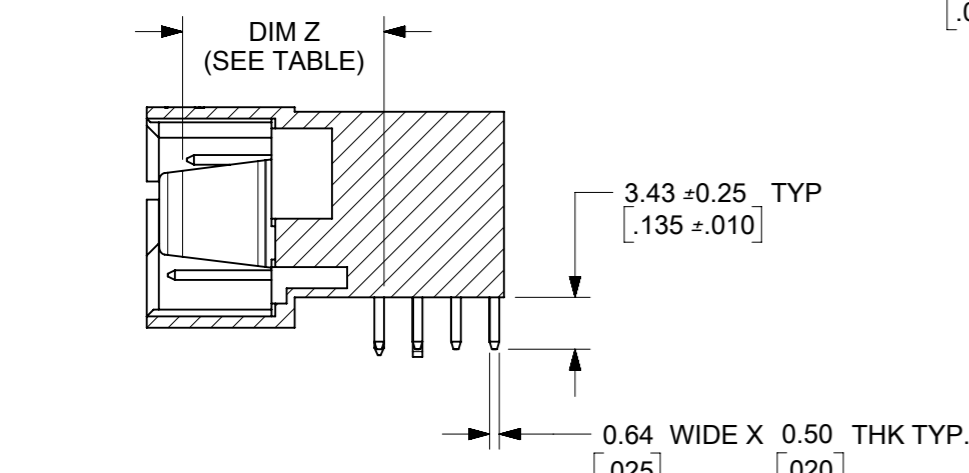
∅ 2.49 +0.05
-0.02
[.098 +.002
-.001]
DRILLED HOLE
UNPLATED



RECOMENDED PCB LAYOUT



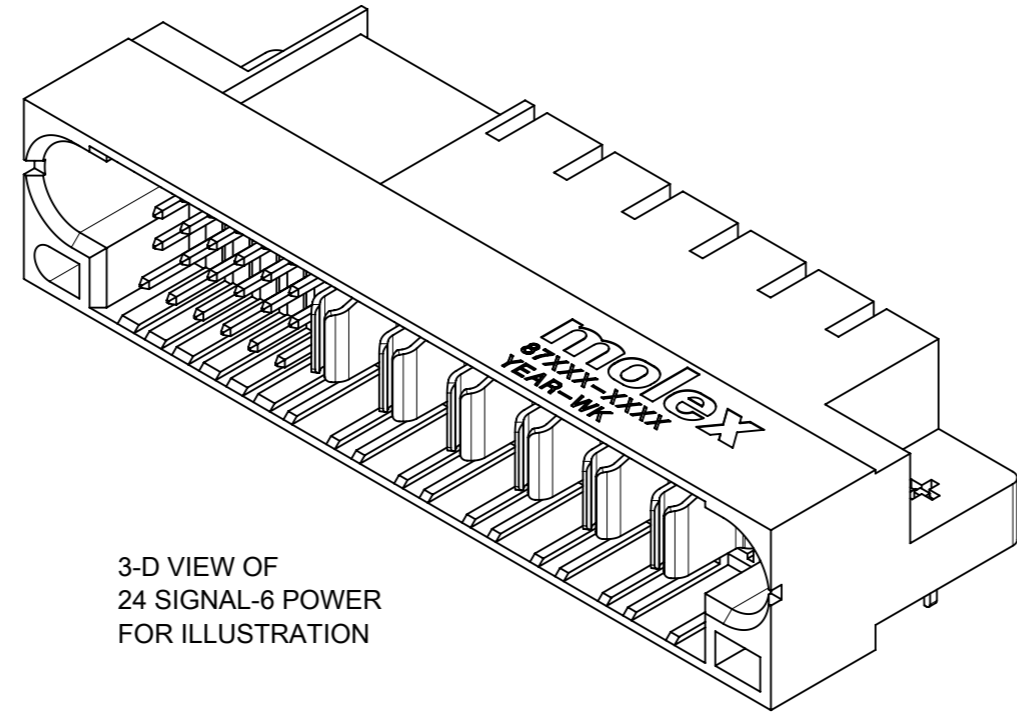
SECTION Y-Y



SECTION Z-Z

THIS DRAWING CONTAINS INFORMATION THAT IS PROPRIETARY TO MOLEX ELECTRONIC TECHNOLOGIES, LLC AND SHOULD NOT BE USED WITHOUT WRITTEN PERMISSION											
DIMENSION UNITS		SCALE		CURRENT REV DESC: OBSOLETE PART NO						molex	
MM/INCH		NTS									
GENERAL TOLERANCES (UNLESS SPECIFIED)				EC NO: 625872		DRWN: VLOKESHA		2019/09/05		POWER CONNECTOR PLUG	
4 PLACES ±				CHK'D: GB		APPR: GGA		2019/11/06		S-P(B) CONFIGURATION R/A, T/H, BOARD-LOCK	
3 PLACES ±				APPR: SKTOH		2002/10/28		2002/11/12		PRODUCT CUSTOMER DRAWING	
2 PLACES ±				INITIAL REVISION:		DRWN: BHLOW		2002/10/28		DOCUMENT NUMBER	
1 PLACE ±				APPR: SKTOH		2002/11/12		SD-87667-013		DOC TYPE DOC PART REVISION	
0 PLACES ±				ANGULAR TOL ± 3.0°		DRAWING		SERIES		MATERIAL NUMBER	
DRAFT WHERE APPLICABLE MUST REMAIN WITHIN DIMENSIONS				THIRD ANGLE PROJECTION		DRAWING		SERIES		CUSTOMER	
				A3-SIZE		87667		SEE TABLE		CHEROKEE	
										SHEET NUMBER	
										2 OF 3	

PART NUMBER	S-P CONFIGURATION		DIM A	DIM B	DIM C	DIM D	DIM E	POWER BLADE OPTIONS		STANDARD SIGNAL	RECESS SIGNAL		VOID PIN LOCATION	PACKAGING
	SIGNAL	POWER BETA						TYPE	DIM Z±0.13/.005	PIN LENGTH	PIN LENGTH	LOCATION		
87667-5003	24	6	69.85 2.750	62.23 2.450	60.96 2.400	34.29 1.350	12.70 .500	LONG CONTACT	14.12/.556	6.86/.270	5.59/.220	A1,A2, B1,B2, C1,C2, D1,D2	NIL	TRAY
87667-5011	12	10	87.63 3.45	80.01 3.150	78.74 3.100	59.69 2.350	5.08 .200	LONG CONTACT	14.12/.556	6.86/.270	5.59/.220	NIL	NIL	TRAY



3-D VIEW OF
24 SIGNAL-6 POWER
FOR ILLUSTRATION

THIS DRAWING CONTAINS INFORMATION THAT IS PROPRIETARY TO MOLEX ELECTRONIC TECHNOLOGIES, LLC AND SHOULD NOT BE USED WITHOUT WRITTEN PERMISSION													
DIMENSION UNITS MM/INCH		SCALE NTS		CURRENT REV DESC: OBSOLETE PART NO									
GENERAL TOLERANCES (UNLESS SPECIFIED)				EC NO: 625872									
				DRWN: VLOKESHA 2019/09/05				POWER CONNECTOR PLUG					
				CHK'D: GB 2019/11/06				S-P(B) CONFIGURATION R/A, T/H, BOARD-LOCK					
				APPR: GGA 2019/11/12				PRODUCT CUSTOMER DRAWING					
				INITIAL REVISION:				DOCUMENT NUMBER		DOC TYPE		DOC PART	
				DRWN: BHLOW 2002/10/28				SD-87667-013		PSD		001	
				APPR: SKTOH 2002/11/12								E	
				ANGULAR TOL ± 3.0°				MATERIAL NUMBER		CUSTOMER		SHEET NUMBER	
				DRAFT WHERE APPLICABLE MUST REMAIN WITHIN DIMENSIONS				SEE TABLE		CHEROKEE		3 OF 3	
				THIRD ANGLE PROJECTION				DRAWING		SERIES			
								A3-SIZE		87667			