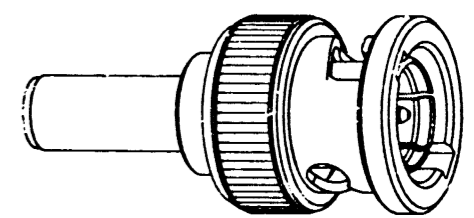


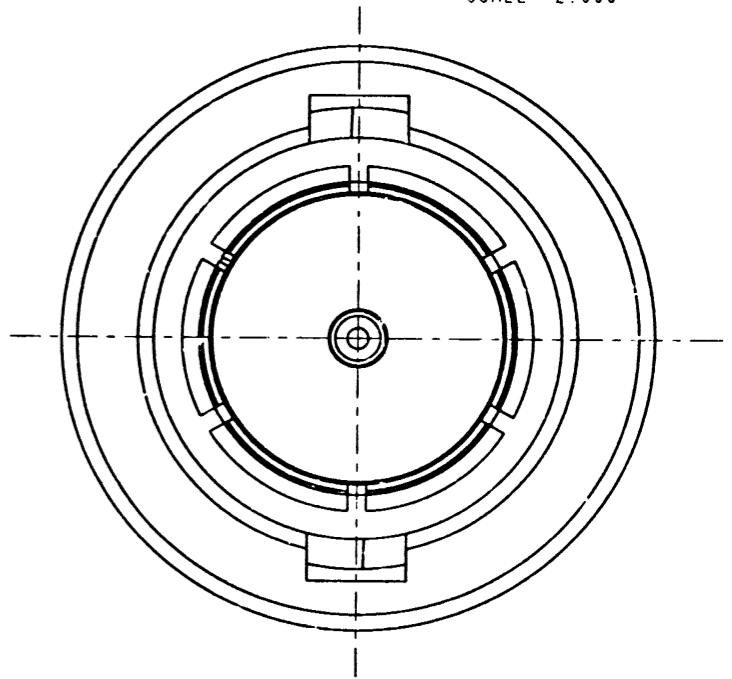
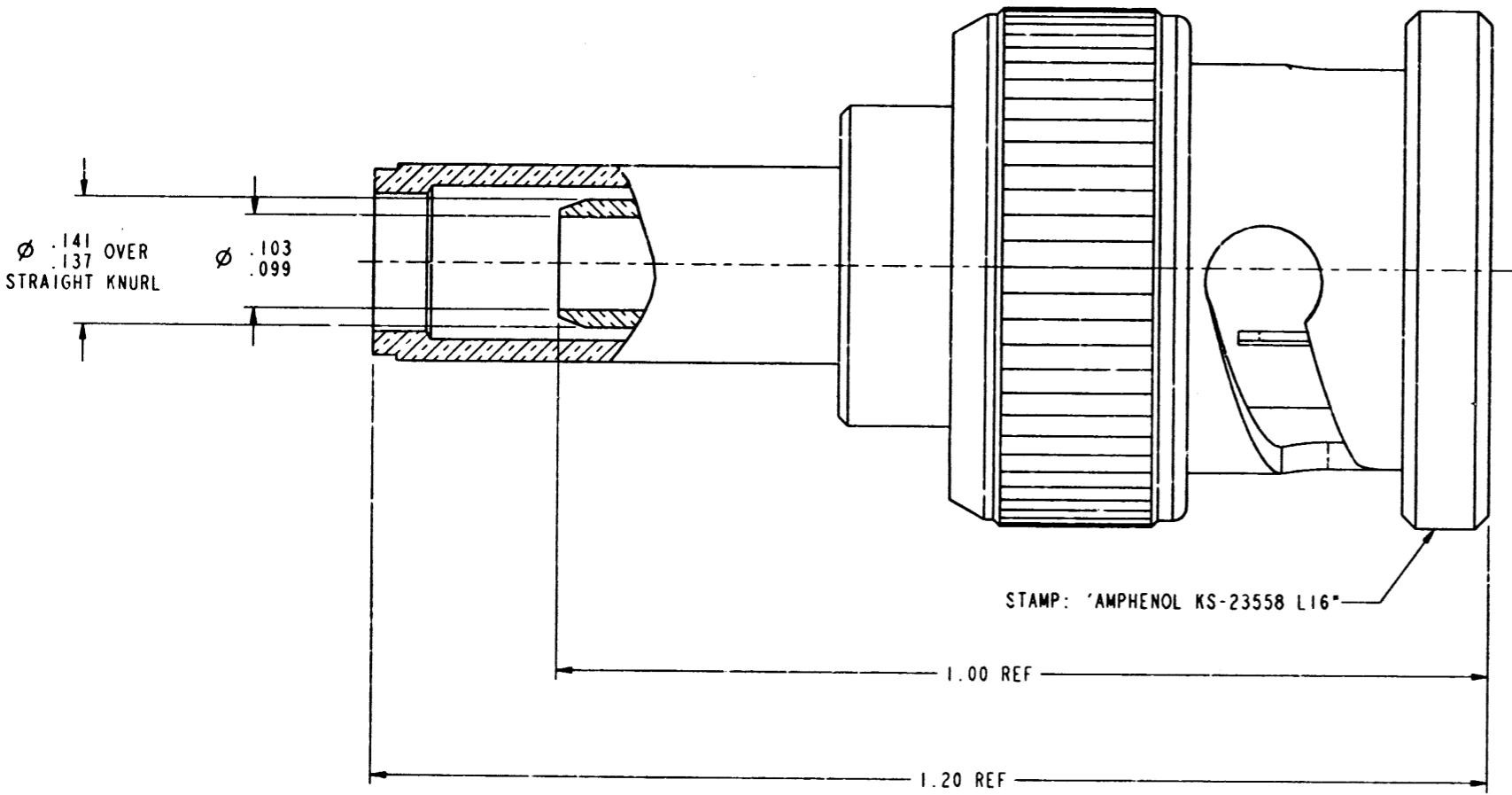
NOTES:

- MATERIALS OF CONSTRUCTION:
 INSULATOR - PTFE
 SPRING WASHER - BERYLLIUM COPPER, NICKLE PLATE
 CONTACT - BRASS, GOLD PLATE
 ALL OTHER METAL PARTS - BRASS, NICKEL PLATE
- THIS CONNECTOR MATES WITH ANY 75Ω JACK.
- THIS CONNECTOR MEETS THE REQUIREMENTS OF LUCENT SPEC. KS-23558 AND L-738427.
- FOR ASSEMBLY INSTRUCTIONS SEE 999-595.
- DO NOT SCALE THIS DRAWING.

31-70229-XXXX		REVISIONS			
DRAWING NO.	REV	DESCRIPTION	DATE	ECO	APPR
THIRD ANGLE PROJ.	A	OFFICIAL ENG. RELEASE TO MFG.	3/10/99	42815	CPM/



SCALE 2.000



CUSTOMER OUTLINE DRAWING
FOR REFERENCE ONLY

DRAWING NO.	PACKING
31-70229-1001	1 PER BAG
31-70229-1012	12 PER BAG
31-70229-1100	100 PER BAG

UNLESS OTHERWISE SPECIFIED, DIMENSIONS ARE IN INCHES. AND TOLERANCES ARE:
 2 PLACE DECIMAL 3 PLACE DECIMAL ANGLES
 ±.015 (0.381 mm) ±.005 (0.127 mm) ± 1°

NOTICE - These drawings, specifications, or other data (1) are, and remain the property of Amphenol Corp. (2) must be returned upon request; and (3) are confidential and not to be disclosed to any person other than those to whom they are given by Amphenol Corp. The furnishing of these drawings, specifications, or other data by Amphenol Corp., or to any other person to anyone for any purpose is not to be regarded by implication or otherwise in any manner licensing, granting rights or permitting such holder or any other person to manufacture, use or sell any product, process or design, patented or otherwise, that may in any way be related to or disclosed by said drawings, specifications, or other data.

MATERIAL	DRAWN C. McGRATH	DATE 22-Jan-99	TITLE 75 OHM BNC PLUG FOR AT&T 735A CABLE	Amphenol Amphenol Corporation Communication and Network Products Division Danbury, CT U.S.A. 06810
REFERENCE EAR 967149-2 GEN# ASSY16_BNC 31-70229-0001	ENGINEER G. ANTONINI	DATE 22-Jan-99	SCALE 6.0:1	SHEET 1 OF 1
	APPROVED <i>[Signature]</i>	DATE 3/10/99	CODE ID 74868	DWG SIZE B
	CAD FILE I:\BNC_75\31-70229-XXXX		DRAWING NO. 31-70229-XXXX	REV A