

THIS DRAWING IS UNPUBLISHED. RELEASED FOR PUBLICATION 20
 © COPYRIGHT 20 BY - ALL RIGHTS RESERVED.

REVISIONS					
P	LTR	DESCRIPTION	DATE	DWN	APVD
B		ECR-16-010100	14JUL2016	L.Z	X.X
B1		ECR-18-008476	08JUN2018	G.W	C.W
B2		ECR-18-009727	22JUN2018	G.W	C.W
C		ECR-19-009136	23OCT2019	C.D	C.W

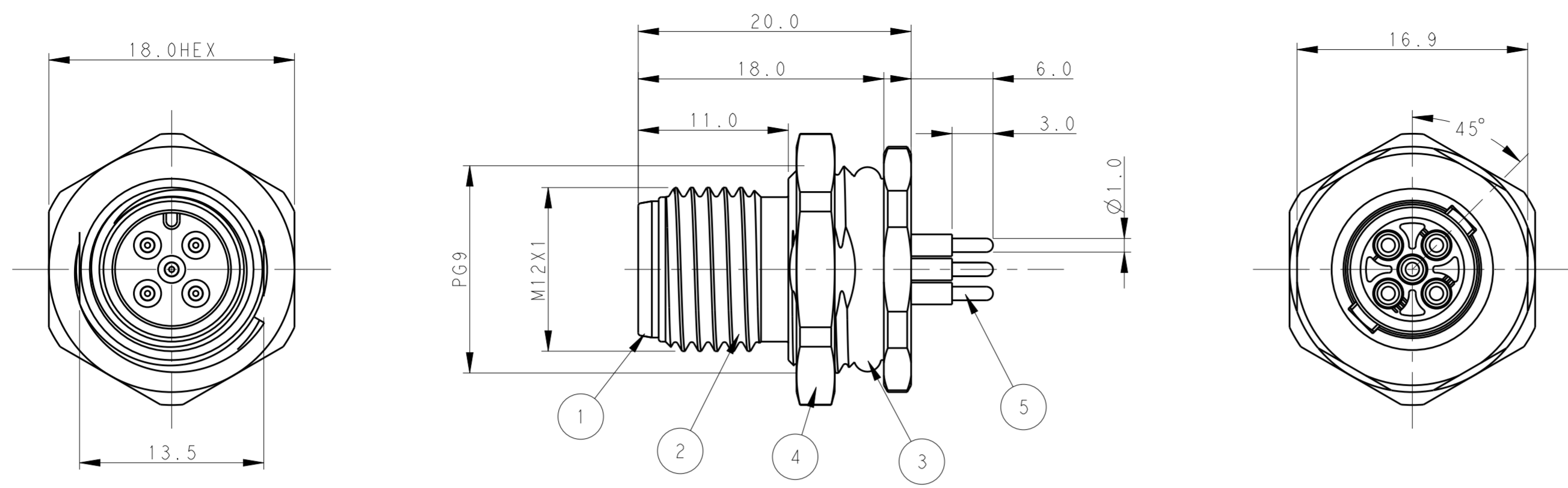
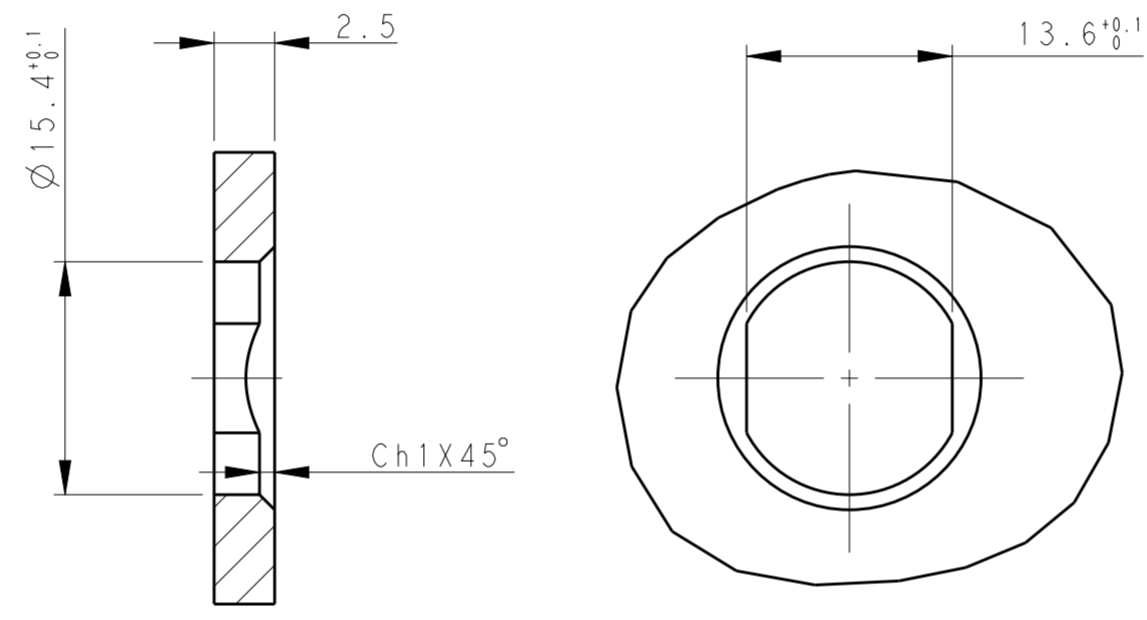


TABLE 1

TECHNICAL DATA	T4140012021-000	T4140012031-000	T4140012041-000	T4140012051-000
RATED VOLTAGE	250V	250V	250V	60V
RATED CURRENT	4A	4A	4A	4A
POLLUTION DEGREE	3	3	3	3
OVERVOLTAGE CATEGORY	II	II	II	II
MATERIAL GROUP	II	II	II	II
CONTACT RESISTANCE	<=10mΩ	<=10mΩ	<=10mΩ	<=10mΩ
INSULATION RESISTANCE	>100MΩ	>100MΩ	>100MΩ	>100MΩ
DEGREE OF PROTECTION	IP67	IP67	IP67	IP67
OPERATION TEMPERATURE	-40~85°C	-40~85°C	-40~85°C	-40~85°C



RECOMMENDED PANEL CUTOUT

NOTE:
 1. TECHNICAL DATA: SEE TABLE 1
 2. RECOMMENDED MOUNT PANEL SEE DETAIL
 3. PACKAGING: 1 PIECE IN A BAG
 4. ALL DIMENSIONS ARE FOR NOMINAL REFERENCE ONLY UNLESS OTHERWISE STATED

注释:
 1. 技术参数, 见表1
 2. 推荐开孔尺寸详见如图所示
 3. 包装: 1PCS/袋
 4. 所有尺寸仅供参考, 除非另有说明

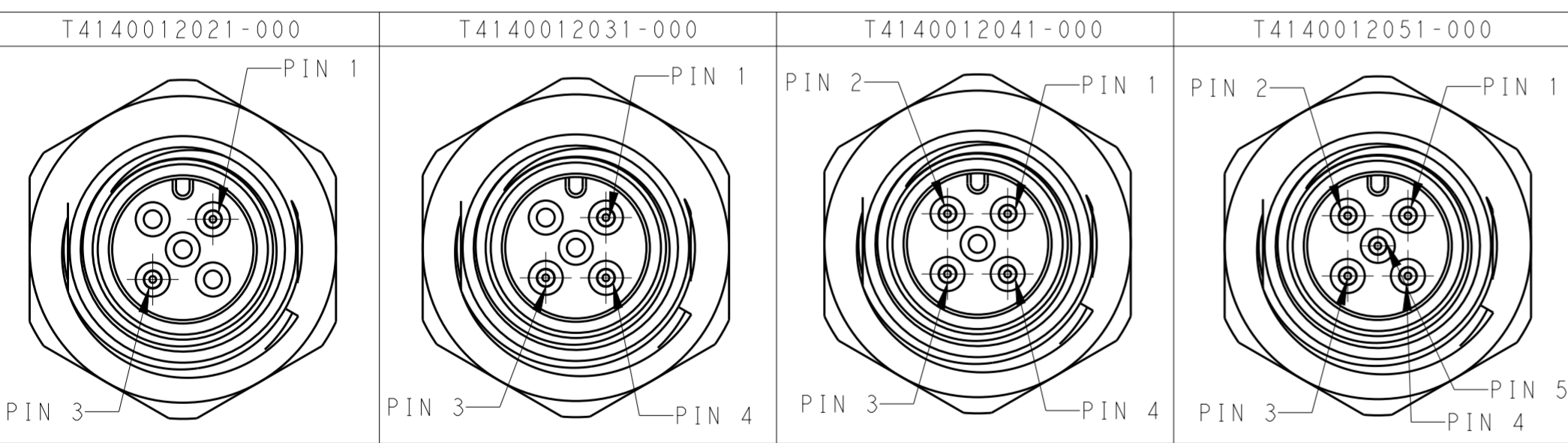
T41400120X1-000

CONTACT FINISH:
 1: GOLD 3u''
 NUMBER OF PINS:
 02: 2 PINS
 03: 3 PINS
 04: 4 PINS
 05: 5 PINS

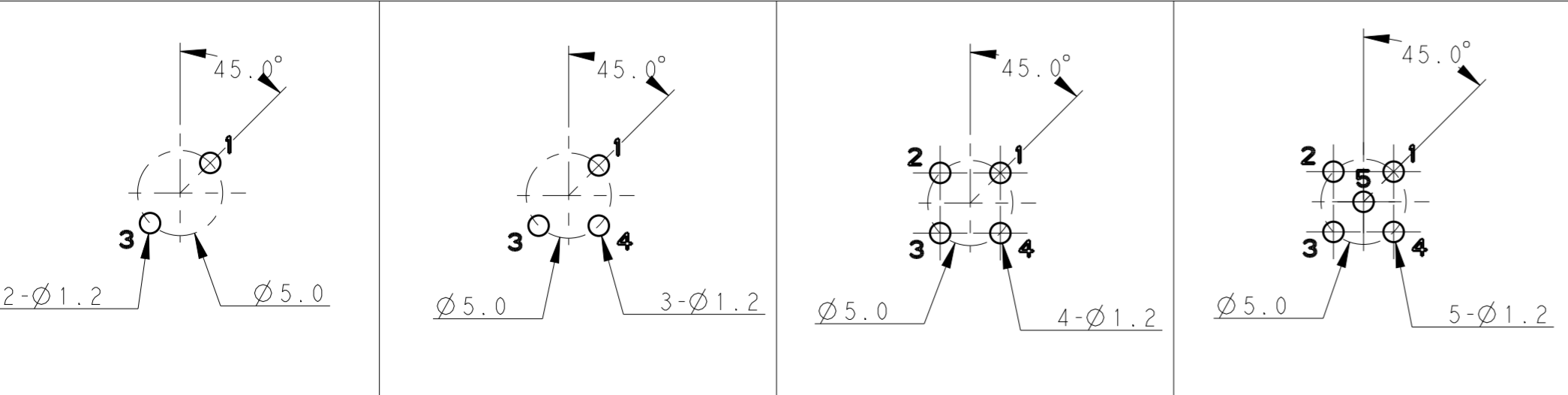
T41400120X1-000

端子电镀:
 1: 3u''金
 针数:
 02: 2 针
 03: 3 针
 04: 4 针
 05: 5 针

PIN ARRANGEMENT A-CODE



RECOMMENDED DRILLING DIAGRAM



T4140012021-000	RPC-M12-MF-2CON-PG9-LBU
T4140012031-000	RPC-M12-MF-3CON-PG9-LBU
T4140012041-000	RPC-M12-MF-4CON-PG9-LBU
T4140012051-000	RPC-M12-MF-5CON-PG9-LBU

PLATING	MATERIAL	DESCRIPTION	TYPE					
			ITEM	5	2	3	4	5
GOLD PLATED	COPPER ALLOY	CONTACT		5	2	3	4	5
NICKEL PLATED	COPPER ALLOY	METAL NUT		4	1	1	1	1
BLACK	RUBBER	O-RING		3	1	1	1	1
NICKEL PLATED	COPPER ALLOY	M12, MALE, METAL BODY		2	1	1	1	1
BLACK	PA66	M12, MALE HSG		1	1	1	1	1

THIS DRAWING IS A CONTROLLED DOCUMENT.

DWN: BO GAO 01FEB2016
 CHK: KOBBY ZHAO 01FEB2016
 APVD: XIANG XU 01FEB2016

TE Connectivity

M12 PANEL MOUNT CONNECTOR
 A CODE, MALE, REAR MOUNTING
 PCB SOLDERING

SIZE: A2 CAGE CODE: - DRAWING NO: C-T41400120X1000 RESTRICTED TO: -
 SCALE: 3:1 SHEET: 1 OF 1 REV: C