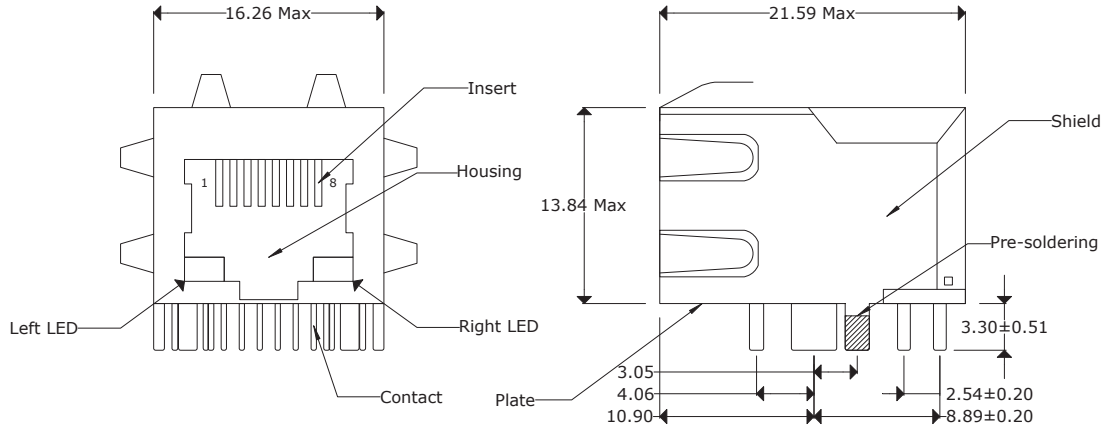
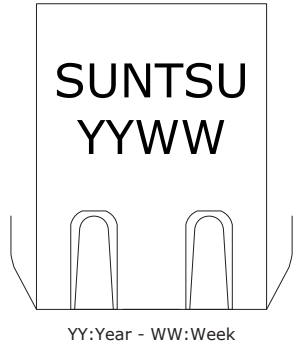
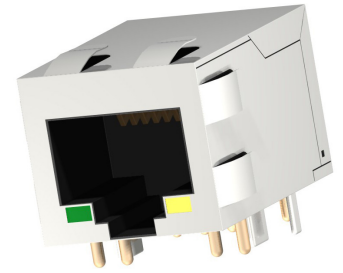
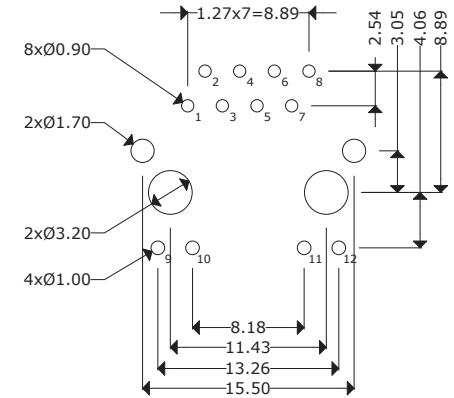


SCNRJ - 88GGMSEGY - 483I4SORTH

SUNTSU **RJ45** **CONTACTS** 8:8 **MAGNETIC** M: With **EMI Finger** E: With **OPERATING TEMP** 48: -40~85°C **CONTACT TERMINATION** SO: SOLDER
CONNECTOR **POSITIONS** 8:8 **CONTACT PLATING** GG: 6u" Gold Plating **SHIELD** S: With **LED COLOR** GY: Left - Green Right - Yellow **HEIGHT** 3I4: 13.84mm **MOUNTING STYLE** RTH: Right Angle Through Hole



PC Board Layout

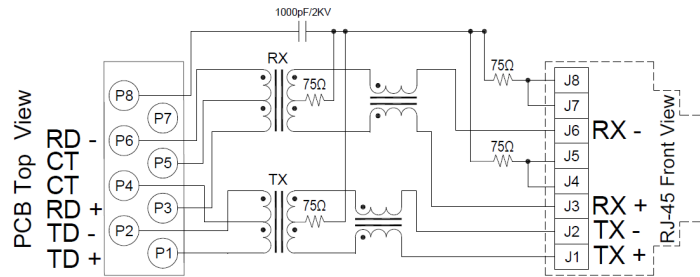


Electrical Parameters

Turn Ratio(±5%): 1CT:1CT
 Inductance(100KHz/0.1V@8mA): 350uH MIN@0°C~70°C
 Insertion Loss(dB MAX): -1.0dB(0.3-100MHz)
 Return Loss(dB MIN): -18dB(1-30MHz), -16dB(40MHz), -14dB(50MHz), -10dB(60-80MHz)
 Cross Talk(dB MIN): -40dB(30MHz), -35dB(60MHz), -30dB(100MHz)
 CMR(dB MIN): -30dB(30MHz), -20dB(60MHz), -20dB(100MHz)
 HI-POT(Pri to Sec): 1500Vrms/0.5mA/60sec or 1650Vrms/0.5mA/2Sec

Materials

Housing: Nylon 66 UL94V-0 Standard color Black
 Insert: Phos-Bronze C5210 EH---0.35 Thickness
 Insert: PBT GF UL94V-0
 Insert Plating: (1) Nickel (2) 100% Sn (3) Gold (6u")
 Plate: PBT GF UL 94V-0
 Contact Pin: Phos-Bronze C5191---0.35 Thickness
 Contact Plating: (1) Nickel (2) 100% Sn
 Shielding: Brass C2680 Plating Nickel



Remarks:
 Operating Life: 750 Cycles MIN.

Standard LED	Wavelength	Forward*V(MAX)	TYP
Green	565nm	2.5V	2.2V
Yellow	585nm	2.5V	2.1V

With a forward current of 20mA



10/100 BASE-T SINGLE PORT RJ-45 JACK MAGNETICS

Document History			
Edits Made	Date	Edited By	Approved By
Initial Release	10/06/2021	B. Gibbons	KH Mun

Part No.	SCNRJ-88GGMSEGY-483I4SORTH	Drawn	B. Gibbons	10/06/2021
Scale	Not drawn to scale	Tolerance	Unless otherwise specified, all tolerances are ±0.25	
Unit	mm	Pages	1/1	