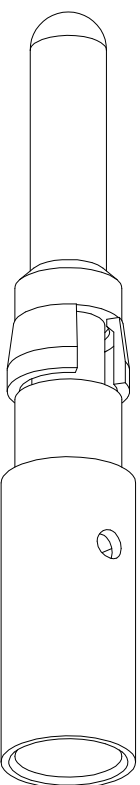
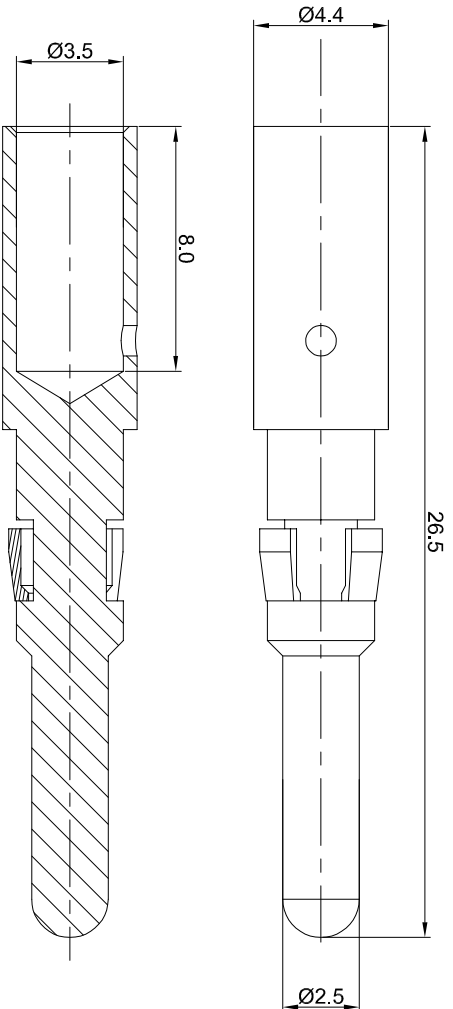


REVISIONS				
REV	ECO	DESCRIPTION	DATE	BY APPR
A1	-	FIRST RELEASE	May/27/2017	Tod TOMMY
A2	-	Modify the current rating	Jul,10,2017	White TOMMY



P/N	CONTACT PLATING(MATING AREA)
MP10B23T	TIN PLATING OVER NICKEL.
MP10B23S	SILVER PLATING OVER NICKEL.
MP10B23F	GOLD FLASH PLATING OVER NICKEL.
MP10B23G5	5µ" GOLD PLATING OVER NICKEL.
MP10B23G10	10µ" GOLD PLATING OVER NICKEL.
MP10B23G15	15µ" GOLD PLATING OVER NICKEL.
MP10B23G30	30µ" GOLD PLATING OVER NICKEL.

- NOTES : ( UNLESS OTHERWISE SPECIFIED )
- MATERIAL :
    - CONTACT BODY : COPPER ALLOY.
    - POSITIONING CLIP : COPPER ALLOY.
  - SPECIFICATIONS :
    - CURRENT RATING : 35A(MAX).
    - TERMINATION TYPE : CRIMPING.
  - WIRE RANGE : 10~12 AWG.
  - SUITABLE SOCKET : MS10B23xx.
  - ALL DIMENSIONS ARE FOR REFERENCE USE ONLY.

QUANTITY	PART NUMBER	DESCRIPTION	ITEM
<b>MATERIALS LIST</b>			
UNLESS OTHERWISE SPECIFIED			
1) All dimensions given in millimeters.			
2) Tolerances are as follows: A:10µ			
1 PL, DEC 20, 2010 Fractional, 1/16"			
3 PL, DEC 20, 08 Angles, 1°			
3) Note reference =			
MATERIAL SPECIFICATIONS:		CUSTOMER:	
PROCESS SPECIFICATIONS:		THIS DRAWING IS SUPPLEMENTARY TO THE DRAWING SPECIFICATIONS AND PERFORMANCE DATA OF THE PART. THE MANUFACTURING CORPORATION HAS NO RESPONSIBILITY FOR REPRODUCTION AND LABELS. ALL MANUFACTURING VARIATIONS.	
NEXT ASSY:		SCALE: NONE	
		SHEET 1 OF 1	
		REV: A2	
		SH: 1	
		DF: 1	

TITLE: ECO-MATE PIN CONTACT, MACHINE, MALE CONTACT, 2.5mm DWG NO.: MP10B23xx

**Amphenol**

Sine Systems - [www.amphenol-sine.com](http://www.amphenol-sine.com)  
44724 Morley Drive  
Clinton Township, MI 48036

ECO-MATE PIN CONTACT  
MACHINE, MALE CONTACT, 2.5mm

MP10B23xx

REVISION: A2