



OPTICAL VOICE LINK

INDUSTRIAL FIBER OPTICS

★

Copyright © 2015
Previous Printings 2013, 2011, 2002
by Industrial Fiber Optics, Inc.
Revision - C

Printed in the United States of America

★ ★ ★

All rights reserved. No part of this publication may be reproduced,
stored in a retrieval system, or transmitted in any form or by any means
(electronic, mechanical, photocopying, recording, or otherwise)
without prior written permission from Industrial Fiber Optics.

★ ★ ★ ★ ★

TABLE OF CONTENTS

Preface	iii
OBJECTIVE	1
STARTING OUT	1
TOOLS AND TEST EQUIPMENT	1
KIT COMPONENTS	2
ASSEMBLY INSTRUCTIONS	2
EXPERIMENTS AND ACTIVITIES	8
“NUTS AND BOLTS” OF FIBER OPTICS	12
EXTENDING THE LINK	25
GLOSSARY	26
REFERENCES	28
MORE PRODUCTS	30

Warranty Information

This kit was carefully inspected before leaving the factory. If any components were damaged in shipping, *Industrial Fiber Optics* will replace them at its discretion. Since soldering and incorrect assembly can damage electrical components, no warranty can be made after assembly has begun. If any parts become damaged, replacements may be obtained from most radio/electronics supply shops. Refer to the parts lists on pages 2 and 5 of this manual for identification.

Industrial Fiber Optics recognizes that responsible service to our customers is the basis of our continued operation. We welcome and solicit your feedback about our products and how they might be modified to best suit your needs.

PREFACE

Fiber optics technology has taken the world by storm in just a few short decades. That's due in part to the fact that fiber optic systems are relatively simple. Fiber optic communication is essentially a means of sending information from one point to another by transmitting pulses of light through an optical fiber – as you will learn in this *Optical Voice Link* kit.

Fiber optics happened to be in the right place at the right time, for several reasons. To begin with, it is vastly superior to older communications systems that rely on copper and coaxial cable wiring to carry information. Unlike copper and coax, fiber optic cables are not affected by electromagnetic radiation and don't conduct electricity. They don't heat up, the strength of their signal does not weaken (attenuate) nearly as rapidly as with copper, they can be used safely in environments with explosive fumes, it's much more difficult to "wire tap" fiber than copper, and – most significantly – optical fiber can carry much, much more information in a small package than copper or coaxial cable could ever hope to.

Undoubtedly, the single biggest influence that has driven the growth of fiber optic communications systems is the Internet. Nearly a billion people have Internet access, and they use it frequently. The world-wide web contains billions of web pages, and its growth is staggering. Additional millions of web pages are uploaded by individuals and organizations every day.

The ability to transmit and receive that incredible quantity of information is not something we can simply pull out of the air. This is where fiber optics has become a shining star.

Massive fiber optic communications networks now circle the earth, traveling overland and beneath oceans to connect continents. Nearly a million kilometers of transoceanic fiber optic cable now carry information, including video, whose quantities are measured not in megabytes or gigabytes, but terabytes.

However, fiber optics plays a much more prominent role in our personal lives than merely making sure we have a reliable Internet connection.

Fiber optics ensures that we receive broadband high-definition TV in our homes and on our laptops. Medical fiber optic systems allow physicians to peer inside the human body without surgery. Unbundled fibers typically less than 250 μm in diameter are ideal for real-time use during diagnostic imaging procedures such as CAT (CT) scans and magnetic resonance imaging (MRIs).

Aircraft can be built smaller and lighter because their internal control and communications systems are mostly fiber-based. The United States F-35 Joint Strike Fighter and the Boeing 787 Dreamliner utilize fiber optic systems in depth for functions such as crew information systems, on-board maintenance and dataloading. The same is true for the awesome Boeing Apache AH-64D Attack Helicopter.

In unmanned aerial surveillance and attack vehicles and on the ground, advanced battlefield communications systems are now reality, thanks to fiber optics. In the world of construction – buildings, bridges, dams and more – fiber optic sensors (FOSs) have a new and vital role in measuring signs of internal strain, cracks and potential damage in building materials like concrete.

Much more obvious to us are the illumination systems that for decades have lit up holiday decorations, store displays, traffic lights and musical performances on stage, thanks to the modern-day workhorse known as fiber optics.

The Optical Voice Link is a project-oriented introduction to optical fiber Communications and all the wonders associated with it. This booklet contains all the information needed to construct this project including component lists, a section on theory of design and operation, assembly instructions and simple exercises to increase your knowledge. A list of references, fiber optics glossary and additional projects complement the instruction.

We welcome you to the fascinating and expanding world of fiber optics. We hope that you will find the field an exciting and interesting one in which to learn, work and play.

OBJECTIVE

Several objectives can be accomplished with the *Optical Voice Link*: An instructor may use it as a short, hands-on fiber optic curriculum or as a module to demonstrate before the class. A student may use the kit for a science project; hobbyists can use it as a home or industrial project to amaze their friends. Experience and knowledge will be gained during assembly and while working with the electronic microphone, analog fiber optic transmitter and receiver, and the fiber cable interfaces. You will hear your own voice, for example, after it has been converted into light and then coupled into, through and out of an optical fiber.

STARTING OUT

The *Optical Voice Link* is an introduction to the mysteries and science of fiber optics. No prior fiber optics experience is needed to build this kit and bring it to operational level. After completion, it can be used to demonstrate the unique characteristics of fiber optics or in several practical commercial and industrial applications.

This booklet is your guide to understanding the theory of fiber optic communication, and it includes assembly instructions; please read them carefully to avoid mistakes. Several exercises have also been included to help you understand this technology. If, after completing this kit, you would like to acquire more knowledge about fiber optics, check the **List of References** on pages 28 and 29, and the list of other products we offer, on pages 30 and 31.

The kit you have purchased furnishes all the parts required to construct a fully functional fiber optic voice link. Before beginning the actual assembly, check the contents of each component packet against the lists in **Tables 1** and **2** to ensure you have a complete kit. Alkaline batteries are required, but not included (link may not work properly if you do not use alkaline batteries). The link can be extended up to 10 meters with additional fiber cable and splices purchased separately.

A portion of the instructions suggests the use of an oscilloscope to perform demonstrations and to make some of the measurements. It is helpful but not essential. You can complete the kit and learn a significant amount about fiber optics without one.

TOOLS AND TEST EQUIPMENT NEEDED

Wire cutters	Needle-nose pliers
Small Phillips screwdriver	Small adjustable wrench
1 ml water or light oil	Rosin-core solder
25-watt soldering iron	18-gauge wire-stripper
Two 9-volt alkaline batteries	Dual-trace oscilloscope (optional)
Single-edge razor blade or sharp knife	

KIT COMPONENTS

This kit when completed features a transmitter assembly, an inter-connecting fiber optic cable and a receiver assembly. **Table 1** contains the component list for the transmitter portion, and **Table 2** lists the required parts for the receiver portion, including the fiber optic cable and polishing paper.

Table 1. Transmitter printed wiring board parts list.

D/N	P/N	Description	Color-code
C1		220 μ f electrolytic capacitor	
C2		.047 μ f Mylar® capacitor	
D1		Red LED	
D2	IF-E96	Fiber optic red LED	Pink Dot
H1		Battery holder	
H2		2-56 X 1/4 inch long screws (2)	
H3		2-56 X 3/8 inch long screw	
H4		2-56 nuts (3)	
H5		Rubber mounting bumpers (3)	
MIC1		Microphone	
PWB1		Trans. printed wiring board	
R1		2.2 k Ω 1/4 watt resistor	Red Red Red
R2		2.2 k Ω 1/4 watt resistor	Red Red Red
R3		150 Ω 1/4 watt resistor	Brown Green Brown
SW1		Momentary switch	
U1	LM386N	Audio amplifier	

ASSEMBLY INSTRUCTIONS

Follow the guidelines below when assembling printed wiring boards:

- Mount all components on the side of the printed wiring boards with the white lettering (component side).
- Use the white markings on the printed circuit boards to determine where each part is to be placed.
- All soldering is to be completed on the side opposite components (solder side).
- Use a water-soluble or rosin-core solder such as Radio Shack P/N 64-001. Do not use an acid or caustic flux solder such as used in industrial applications.
- Avoid applying prolonged heat (no more than five seconds) to any part of the board or component, to prevent damage.
- After soldering each component, trim its lead length flush with the surface of the solder.

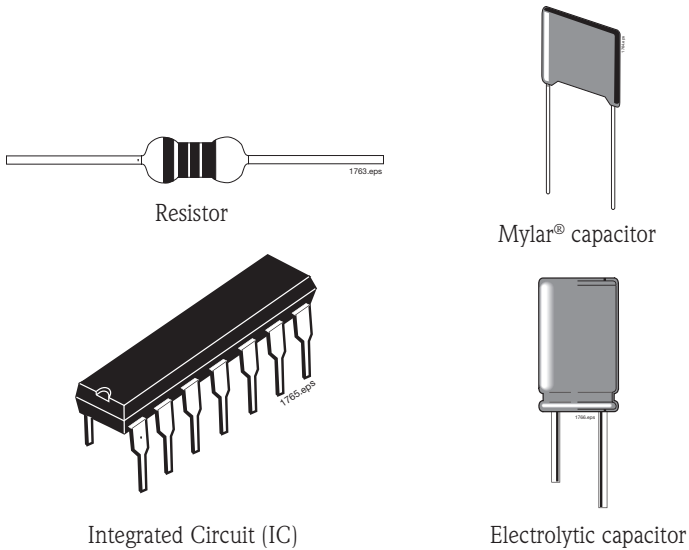


Figure 1. Component identification: resistors, capacitors, ICs.

Transmitter Printed Wiring Board

1. If the transmitter and receiver printed wiring boards are connected, break them apart along the groove running between them. Set the receiver board aside until you reach the Receiver Assembly section.
2. Insert resistors **R1** through **R3**, one at a time into the printed wiring board and solder them in place.
3. **C1** is sensitive to the direction in which it is installed. Identify the wire marked with minuses (- - -), the shortest lead, then the round pad on the printed wiring board within the area corresponding to that capacitor. Match up the two, insert the leads properly into the board, and solder the capacitor into place.
4. There is no positive/negative orientation of capacitor **C2**. Identify, insert its leads through the board and solder them in place. Do not allow solder to touch the body of the component.
5. Locate the square pad within the area on the printed wiring board designated for placement of **D1** (the red LED). Insert the LED with the shortest leg of **D1** (the cathode) into the respective square pad on the printed wiring board, and solder it into place.
6. Identify pin 1 of **U1** (the lower left pin of the integrated circuit [IC] when viewed from above). Insert the IC into the designated spot marked on the printed circuit board, with pin 1 to your lower left into the hole with the square pad. Solder in place.
7. Insert switch **SW1** on the board and solder it in place.

8. Install the battery holder following the legend outline, fasten in place with two $2.56 \times \frac{1}{4}$ inch screws and nuts, and solder the two electrical leads.
9. Clean the printed circuit board with soap and warm water to remove solder residue. Soapy water will not harm the components as long as electrical power is not being applied—in which case you don't want to get anywhere near water anyway, for safety's sake. If you used a rosin-core solder, clean the board with flux remover before washing in soap and water. Rinse thoroughly. Shake the board to remove water from under the IC. Wipe everything dry with paper towels and let air-dry for 30 minutes minimum.
10. The microphone, **MIC1**, is polarity sensitive. Insert it so the part outline aligns with the white legend on the printed wiring board. Solder in place.
11. Identify **D2** as the blue fiber optic housing with a pink dot on one side. Insert **D2** in the designated area on the printed wiring board. Fasten in place with a $2/56 \times 3/8$ inch screw and nut. Solder the leads.
12. Separate the three rubber bumpers from each other, remove the paper backing that protects the adhesive and install on the solder side of the printed wiring board. Place two on the end by the battery holder and one near the fiber optic LED among all of the protruding leads.
13. Insert a 9-volt alkaline battery (user must provide) into the battery holder.

(You may notice that some marked portions of the board do not have components placed in them. Don't be alarmed; they are not needed in this kit.)

Receiver Assembly Steps

1. Insert resistors **R1** and **R3**, one at a time into the receiver printed wiring board and solder.
2. **C1** and **C3** are capacitors which are sensitive to the directions in which they are installed. Identify the wire marked with minuses (- - -), the shortest lead, then the round pad on the printed wiring board within the area corresponding to that capacitor. Match up the two, insert the leads properly into the board, and solder the capacitor into place.
3. There is no positive/negative orientation of capacitors **C2** and **C4**. Identify each, insert their leads through the board and solder in place.
4. Locate the square pad within the area on the printed wiring board designated for placement of **D1** (the green LED). Insert the shortest leg of **D1** (the cathode) into the respective square pad on the printed wiring board, and solder into place.
5. Identify pin 1 of **U1** (the lower left pin of the integrated circuit [IC] when viewed from above). Insert the IC into the designated spot marked on the printed circuit board, with pin 1 to your lower left into the square hole. Solder in place.

Table 2. Receiver printed wiring board parts list.

D/N	P/N	Description	Color-code
C1		220 µf electrolytic capacitor	
C2		.047 µf Mylar® capacitor	
C3		220 µf electrolytic capacitor	
C4		.047 µf Mylar® capacitor	
D1		Green LED	
H1		Battery holder	
H2		2-56 X 1/4 inch long screws (2)	
H3		2-56 X 3/8 inch long screw	
H3		2-56 nuts (3)	
H4		Rubber mounting bumpers (3)	
H5		6 inches speaker wire	
PWB2		Rec. printed wiring board	
Q1	IF-D92	Fiber optic phototransistor	White Dot
R1		2.2 kΩ 1/4 watt resistor	Red Red Red
R2/SW1		5 kΩ potentiometer with on/off switch	N/A
R3		10 Ω 1/4 watt resistor	Brown Black Black
U1	LM386N	Audio amplifier	
SPKR1		3-inch speaker	
F1		3 meters 1000 µm plastic fiber 600 grit polishing paper	

- Install the battery holder following the legend outline, fasten in place with two 2-56 × ¼ inch screws and nuts, and solder the two electrical leads.
- Separate the two conductors of the speaker wire about 12 mm (.5 inch) on one end and about 25 mm (1 inch) on the other end. Remove 6 mm (.25 inch) of insulation from both ends of both conductors.
- Locate an area marked “Speaker” on the receiver printed wiring board just ahead of the battery holder. Insert the copper-colored conductor of the speaker wire into the hole marked with a “+” and solder. Insert the other conductor into the other hole and solder it in place.
- Clean the printed circuit board with soap and warm water to remove solder residue. Soapy water will not harm the components as long as electrical power is not being applied — in which case you don’t want to get anywhere near water anyway, for safety’s sake. If you used a rosin core solder, clean the board with the flux remover before washing in soap and water. Rinse thoroughly. Shake the board to remove water from under the IC. Wipe everything dry with paper towels and let air-dry for 30 minutes.
- Identify **Q1** as the black fiber optic housing with a white dot on one side. Insert **Q1** in the designated area on the printed wiring board. Fasten it in place with a 2-56 inch × 3/8 screw and nut. Solder the leads.
- Insert the potentiometer, **R2/SW1**, on the board and solder in place.

12. Separate the three rubber bumpers from each other, remove the paper backing that protects the adhesive and install on the solder side of the printed wiring board. Place two on the end by the battery holder and one near the fiber optic phototransistor among all of the protruding leads.
13. Solder the unattached copper-colored wire to the terminal on the speaker marked with a "+". Solder the remaining unattached wire to the other speaker terminal.
14. Insert a 9-volt alkaline battery (user must provide) into the battery holder

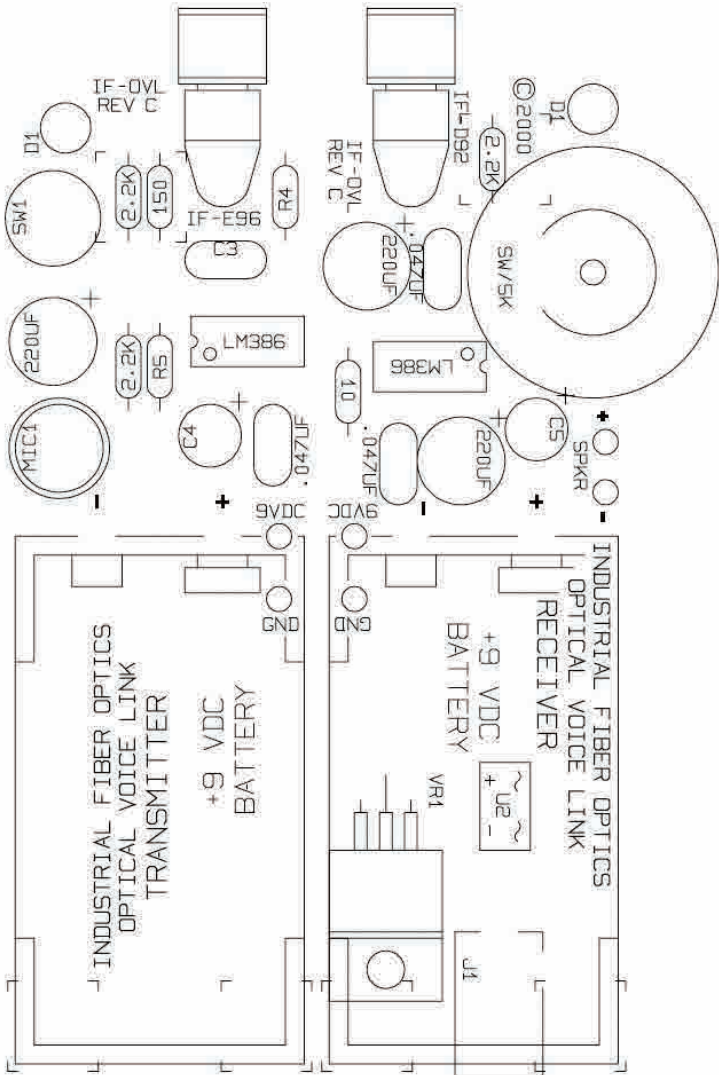


Figure 2. Board details of the transmitter and receiver printed wiring boards.

Fiber Preparation Instructions

Each end of the optical fiber must be carefully prepared so it transmits light effectively.

1. Cut off the ends of the cable with a single-edge razor blade or sharp knife. Try to obtain a precise 90-degree angle (square).
2. Wet the 600 grit polishing paper with water or light oil and place it on a flat, firm surface. Hold the optical fiber upright, at right angles to the paper, and polish the fiber tip with a gentle "figure-8" motion as shown in **Figure 3**. You may get the best results by supporting the upright fiber against some flat object such as a portion of a printed wiring board.

(Don't insert the fiber ends into the fiber optic LED or photodetector until we give you the word, in the next section.)

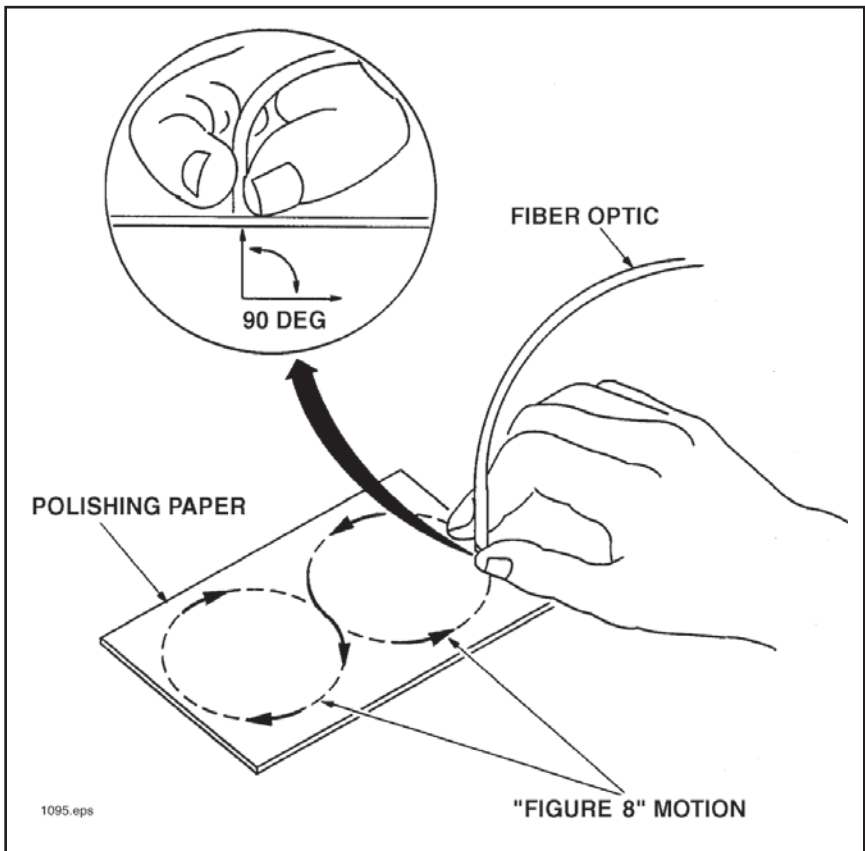


Figure 3. Pattern and orientation of the optical fiber during polishing.

EXPERIMENTS AND ACTIVITIES

- A1.** Grasp an optical fiber near its tip between your thumb and forefinger. Point it toward a light source and observe the other end of the fiber. Note the changes in brightness in that end as you move the other end around, or cover its tip with a finger. Do any colors of light seem to transmit better than others?
- A2.** Holding the fiber about .5 mm (.02 inches) from this page, move it left to right across the heading of this section. What changes do you observe in the brightness at the other end of the fiber?
- A3.** Push the momentary switch on the transmitter board to energize this assembly. The red LED (D1) should light. If not, check battery condition and assembly of the printed wiring board including installation of **R1** and orientation of **D1**.
- A4.** Determine if the transmitter fiber optic LED (**IF-E96**) is on by measuring the voltage across it with a multimeter or oscilloscope when the momentary switch is closed. The proper operating voltage for this LED is approximately 1.8 volts. If the LED does not have any voltage across it, double-check the installation of **U1** and **R2**. (You should be able to see red light being emitted from inside the LED housing when switch is closed.)
- A5.** With an oscilloscope, using AC and DC input coupling, vary the sweep setting and observe the voltage at the output of **LM386N** (pin 5, **U1**) for the following sounds: talking, crumpling paper, whistling, humming, blowing a whistle, tapping your finger on the microphone, clapping. Describe or draw below the amplitude and frequency of the signals seen on the oscilloscope display.

- A6.** Do you see a periodic signal on the oscilloscope display when humming or whistling? If you change pitch does the period of measured signal on the oscilloscope change?
- A7.** In electronics, multiple circuit designs often will achieve the same design goals. We'd now like you to design an electronic LED drive circuit different than the one on the transmitter printed wiring board. A schematic of this transmitter is shown in **Figure 11** (gain of LM386N as shown is 20). We suggest using an operational amplifier and an NPN transistor. Single or dual voltage supply is acceptable. Draw that circuit below.
- A8.** Press the momentary switch on the transmitter board and measure the voltage across **R3** with an oscilloscope or multimeter. Calculate the current through the red fiber optic LED (**D2**).
- A9.** What is the minimum voltage out of LM386N in the circuit shown in **Figure 11** before the red fiber optic LED would turn off, or become very non-linear? Assume V_f of the LED is 1.8 volts.
- A10.** Assuming that the maximum voltage output from the 9-volt battery is 8.5 volts under load, what is the maximum current that can flow through the red fiber optic LED (**D2**) when being driven by **U1** through **R3**?

- A11.** Connect the transmitter and receiver assemblies with the optical fiber, following the steps in **Figure 4**. Move the transmitter and receiver printed wiring boards as far apart as the fiber length will allow.

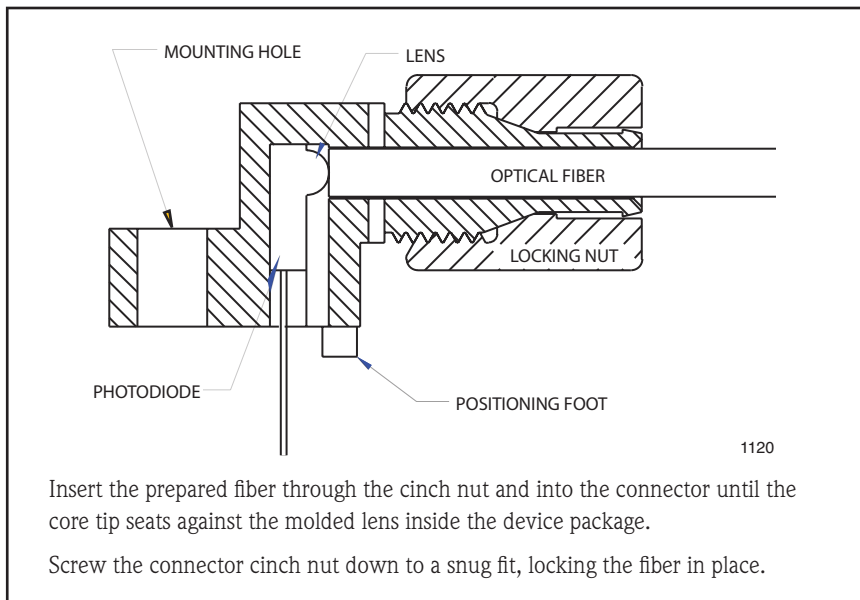


Figure 4. Cross-section of fiber optic LED and cable.

- A12.** Turn the receiver switch on and turn it clockwise to about the midway position. Press the momentary switch on the transmitter and speak into the microphone. You should hear your voice from the speaker at the receiver end. (If a high-pitched sound is produced by the receiver when pressing the momentary switch, reduce the volume at the receiver.) In the space below describe the quality of your voice reproduction at the receiver.
- A13.** Using both channels of a dual-trace oscilloscope, look at the signals at the output of **U1** (pin 5) on the transmitter and receiver assemblies. Observe the signals at both points while whistling softly. Describe the signals. Are the two signals in phase? Move closer to the microphone or whistle louder. Can you see signals on the oscilloscope beginning to get distorted? When distortion is visible on the oscilloscope display, what is the quality of sound coming from the receiver?

- A14.** Assuming that this receiver needs 2×10^{-6} watts of light to reproduce the audio signal, the transmitter launches 50×10^{-6} watts of power into the fiber and the fiber has 1 dB of attenuation per meter, determine the maximum length of cable that can be installed between transmitter and receiver and still have the apparatus function properly.
- A15.** With the transmitter and receiver assemblies as far apart as possible, set the gain of the receiver to as high as possible without the receiver producing a high-pitched squeal when the transmitter momentary-switch is closed. Have somebody touch the transmitter microphone to a mechanical clock while holding down the momentary switch. (If you are completing this project by yourself, you may solder a jumper wire across the momentary switch connections.) Can you hear the gears inside the clock moving, through the receiver speaker? Repeat this experiment with an electric clock.
- A16.** Disconnect the fiber from the transmitter, leaving the fiber connected to the receiver. Turn the volume on the receiver switch to maximum. Hold the transmitter end of the fiber up to a fluorescent light. What do you hear? The noise you hear is 120 Hz, twice the frequency of the 110-volt, 60 Hz AC input. The fluorescent light is pulsing; it is not actually “on” all the time. Repeat this procedure, holding the fiber close to an incandescent light bulb. What do you hear now? Describe the difference.
- A17.** What is the numerical value for the current through the fiber optic LED in terms of millivolts of input voltage to LM386N? (Answer is in mA/mV.) What is the numerical value of the voltage output to the speaker in terms of milliwatts of optical power on the base of **Q1**? Assume the responsivity of **Q1** to be 100 mA/mW.

“NUTS AND BOLTS” OF FIBER OPTICS

Before fiber optics came along, the primary means of real-time, reliable data communication was electrical in nature. It was accomplished using copper wire or by transmitting electromagnetic (radio) waves through free space. Fiber optics changed that by providing an alternate means of sending information over significant distances — using light energy. Although initially a very controversial technology, fiber optics has today been shown to be very reliable and cost-effective.

Light, as utilized for communications, has a major advantage because it can be manipulated (modulated) at significantly higher frequencies than electrical signals. For example, a fiber optic cable can carry up to 100 million times more information than a telephone line! The fiber optic cable has lower energy loss and wider bandwidth capabilities than copper wire.

As you will learn, fiber optic communication is a quite simple technology, and utilizing electronic technology to a large extent. In fact, it was research in electronics that established the groundwork for fiber optics to develop into the communications giant that it is today. Fiber optics became reality when several technologies came together at once. It was not an immediate process, nor was it easy, but it was most impressive when it occurred. An example of one critical product which emerged from that technological merger was the semiconductor LED, of the type used in the educational kit which you have constructed. The following sections provide more detail about the electronics nature of a basic fiber optic data link, and the theory of operation for your *Industrial Fiber Optics* kit.

Advantages of Fiber Optics

Fiber optics has at least eight advantages over conventional copper cables:

- Greater information-carrying capabilities
- Smaller cable diameter
- Lighter weight-per-cable length
- Greater transmission distance
- Immunity to electrical interference
- Cables do not radiate energy
- Greater reliability
- Lower overall cost

Elements of a Fiber Optic Data Link

Basically, a fiber optic data link contains three main elements: a transmitter, an optical fiber and a receiver. The transmitter takes data previously in electrical form and transforms it into optical (light) energy containing the same information. The optical fiber is the medium which carries the energy to the destination (receiver). At the receiver, light is converted back into electrical form with the same pattern as originally fed to the transmitter by the person who sent the message.

It is important to note that optical energy can be beamed through the air or free space (like a flashlight beam). In fact, there are applications in which communication through air is used when installing optical fiber would be too costly or impractical. The advantages of optical fiber are that it allows light to be routed around corners and transported through obstructions (such as walls in buildings), just as household electrical and telephone wiring do, but with much greater signal-carrying capacity, plus being able to operate at greater distances and on foggy and rainy days.

Also contained in fiber optic data links are connectors that provide the connections among transmitter and receiver modules and optical fiber. These allow quick addition or removal of modules, and the ability to offer communication capabilities at multiple locations using various “coupling” and “splitting” devices.

The educational kit you have constructed contains all the elements described above with the exception of multiple distribution devices, since it links a single receiver and transmitter. The transmitter and receiver circuits in this kit are analog. This means the sound waves are converted to light to transmit down the fiber and then converted back into electrical and acoustic waves at the receiver. We will not digitize the audio sounds and recreate them at the receiver as is done in telephone fiber optic networks.

Light: A Review

The operation of an optical fiber depends on the basic principles of optics and the interaction of light with matter. The first step in understanding fiber optics is to review some of the properties of light.

Wavelength and Particles

Many of light’s properties are explained by thinking of light as an electromagnetic wave. “Light” is a small part of the electromagnetic spectrum as can be seen in **Figure 5**. The relationship between light’s wavelength and frequency can be seen by **Equation 1**:

$$\lambda = \frac{c}{f} \qquad \text{Eq. 1}$$

where c is the speed of light and f is frequency.

Light is higher in frequency and shorter in wavelength than the more common AM and FM radio waves. Visible light ranges from 380 nanometers, (nm), as far deep violet, to 750 nm, as far deep red. Infrared radiation has longer waves than visible light. Most fiber optic systems operate using infrared light with wavelengths between 750 and 1500 nm.

Light also has some particle-like properties similar to electrons (atomic). A light particle is called a photon, a discrete unit of energy, but it has no mass. The amount of energy contained by a photon depends on its frequency. The higher the frequency, the higher the energy. The energy, E , in joules, contained by a photon is:

$$E = h \cdot f \tag{Eq. 2}$$

where f is frequency in Hz and h is Planck's constant, which is 6.63×10^{-34} joule-seconds.

Light's ability to act sometimes as a wave and sometimes as a particle, prompted the famous "wave-particle duality" theory of modern physics. Using both of light's properties is important in fiber optics. For example, many properties of optical fiber vary with wavelength, so the wave description is used. The responsivity of optical detectors is best explained by light's particle theory.

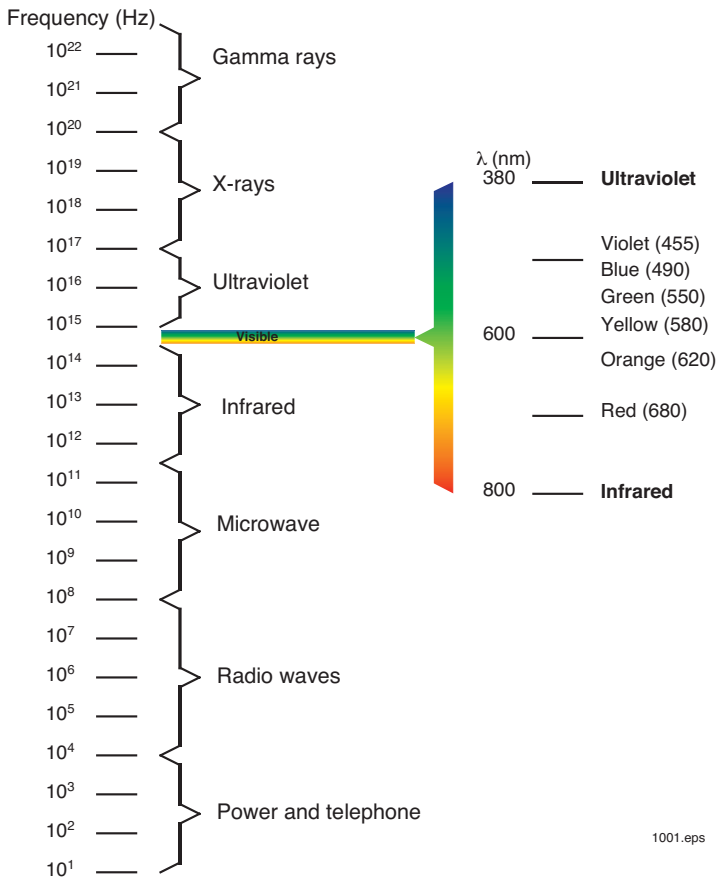


Figure 5. The electromagnetic spectrum.

Refractive Index

The most important optical measurement for any optical material is its refractive index (n). Refractive index is the ratio of the speed of light in a vacuum to the speed of light in a material.

$$n = \frac{c_{\text{vacuum}}}{c_{\text{material}}} \quad \text{Eq. 3}$$

The speed of light through any material is always slower than in a vacuum, so the refractive index is always greater than one. In practice, the refractive index is measured by comparing the speed of light in the material to that in air, rather than in a vacuum. This simplifies the measurements and in most cases does not make any practical difference, since the refractive index of air is very close to that of a vacuum. See **Table 3**.

Why Optical Fiber Works As It Does

Light travels in straight lines through most optical materials, but that's not the case at the junction (interface) of two materials with different refractive indices. Air and water are a case in point, as shown in **Figure 6**. The light ray traveling through air actually is bent as it enters the water. The amount of bending depends on the refractive indices of the two materials involved, and also on the angle of the incoming (incident) ray of light as it strikes the interface. The angle of the incident ray is measured from a 'normal' line drawn perpendicular to the surface. The same is true for the angle of the refracted ray of light after it has been bent.

The mathematical relationship between the incident ray and the refracted ray is explained by **Snell's Law**:

$$n_1 \cdot \sin \Theta_1 = n_2 \cdot \sin \Theta_2 \quad \text{Eq. 4}$$

in which n_1 and n_2 are the refractive indices of the initial and secondary materials, respectively, and Θ_1 and Θ_2 are the incident and refracted angles.

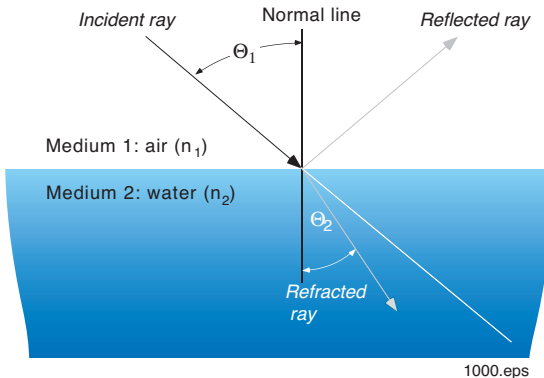


Figure 6. The different portions of a light ray at a material interface.

Snell's equation can be rearranged to determine the refracted angle, Θ_2 , knowing n_1 , n_2 , and Θ_1 .

$$\Theta_2 = \text{arc sin} \left(\frac{n_1}{n_2} \cdot \sin \Theta_1 \right) \quad \text{Eq. 5}$$

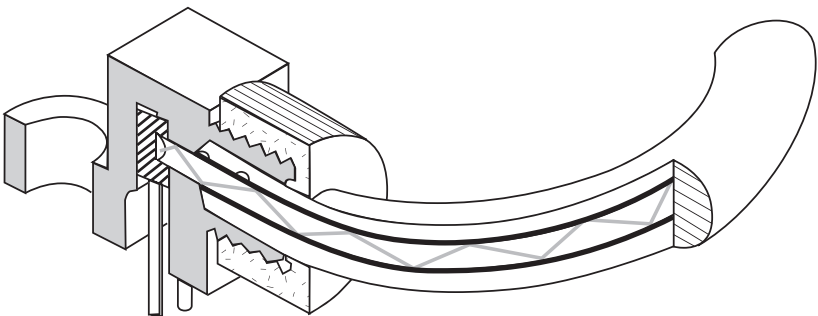
When n_1 is larger than n_2 there are angles of incidence in which

$$\frac{n_1}{n_2} \cdot \sin \Theta_1 \geq 1 \quad \text{Eq. 6}$$

In this case the incident light ray, Θ_1 , does not exit and 100 percent of light is reflected at an angle equal to the angle of incidence as if the boundary of n_1 and n_2 were a mirror. (Recall from trigonometry that the maximum value of the sine of any angle is 1.) The phenomenon just described is called *total internal reflection*. The angle at which this total internal reflection occurs is

$$\Theta_{\text{critical}} = \text{arc sin} \frac{n_2}{n_1} \quad \text{Eq. 7}$$

The concept above, which has been discussed in one dimension, can be further expanded into two dimensions which would then have the capability of channeling or directing light from one point to another. The most common two-dimensional structure to achieve is a solid rod of material surrounded by a layer of lower-refractive-index material. This two-dimensional structure is the fundamental construction of all optical fibers. The total internal reflection property (where the outer layer has a lower refractive index than the core) is a critical element of the principal theory for light transmission in all optical fibers. If you'd like to learn more about the mathematics governing fiber optics, we recommend that you consult the books listed in the **References** section. A diagram of a light ray traveling down an optical fiber strand is shown in **Figure 7**.



1008.eps

Figure 7. A light ray traveling through and trapped by total internal reflection inside an optical fiber.

Table 3. Refractive indices of some common materials.

Material	Refractive Index
Vacuum	1.0
Air	1.00029
Water	1.33
Fused quartz	1.46
Glass	1.45 - 1.6
Silicon	3.4
Diamond	2.0
Gallium arsenide	3.6

Numerical Aperture

The critical angle of an optical fiber, although critical to understanding how a fiber operates, is not a normally specified parameter. Acceptance angle and numerical aperture are the common specifications and are related to the critical angle. Numerical aperture of an optical fiber can be calculated from the core's and cladding's refractive indices.

$$NA = \sqrt{n_{core}^2 - n_{cladding}^2} \quad \text{Eq. 8}$$

Acceptance angle can be determined by the following equation:

$$\Theta_{acceptance} = 2 \cdot \arcsin \sqrt{n_{core}^2 - n_{cladding}^2} \quad \text{Eq. 9}$$

Acceptance angle of a fiber is the half cone angle of the light that can be launched into an optical fiber and be reflected internally as shown in **Figure 8**. A fiber's numerical apertures or acceptance angles are used to determine collection efficiency from LEDs and photodetectors.

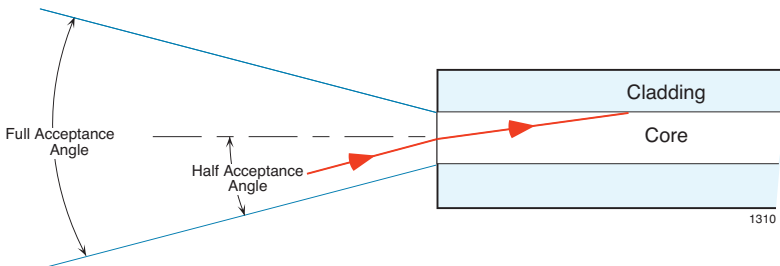


Figure 8. Optical fiber showing the acceptance angle of light.

Fiber Materials

Optical fiber is made from three types of materials:

- Glass
- Plastic
- Other

More than 99 percent of all optical fiber used for data communications in the world is made from glass or plastic. The category “other” includes exotic optical materials such as silicon or gallium arsenide, which are used for special ultraviolet or infrared light applications.

Glass has superior optical qualities compared to plastic, but is more expensive per unit volume, harder to cut and requires special end connections. Glass fiber is typically used for high-data-rate/long-distance transmission and for medical applications because it can be autoclaved and is impervious to body fluids. For lower data rates and distances less than 150 meters, plastic fibers are more economical, easy to terminate and do not require special tools. A very small amount of fiber is a hybrid solution — plastic-cladding glass. The fiber core is high quality glass, with an inexpensive plastic cladding.

Attenuation

Throughout this manual we have praised the capabilities of fiber optics. Although fiber has many advantages it is not perfect because a certain amount of light is lost as it travels through the optical fiber. This loss is called *attenuation*, and it has several causes:

- absorption by the material through which light travels
- scattering of light out of the fiber core by imperfections in the fiber
- light leakage from core caused by external environmental factors such as moisture

Fiber attenuation is measured by comparing output power with input power. Attenuation of a fiber is most often described in decibels (dB). The decibel is a logarithmic unit, relating the ratio of output power to input power. Loss in decibels is defined as:

$$Loss = 10 \cdot \text{Log}_{10} \frac{P_o}{P_i} \quad \text{Eq. 10}$$

If the output power from a fiber is 0.001 of the input power, the signal has experienced a 30 dB loss. (The minus sign has been dropped for convenience and is implied on all attenuation measurements.)

A fiber's attenuation is very dependent upon the composition of its core material and the wavelength of light being transmitted, as can be seen in **Figure 9**. A fiber's attenuation is normalized for a unit length, usually in kilometers. This normalized definition is called a fiber's characteristic attenuation and is accurate for the measured wavelength only.

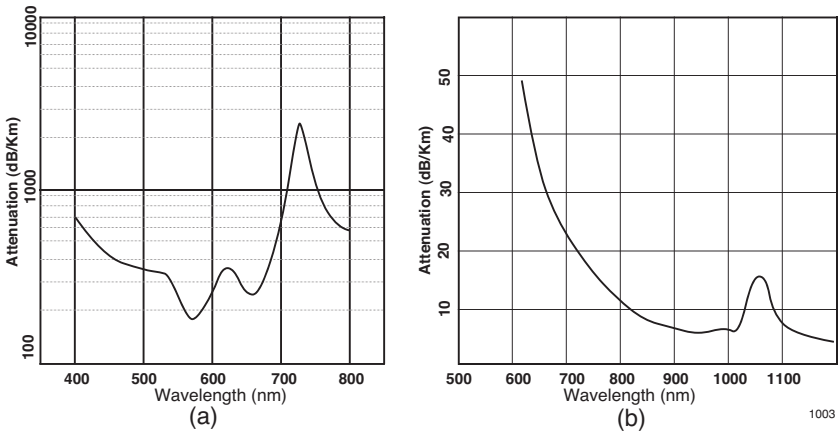


Figure 9. Attenuation of plastic fiber (a), glass fiber (b).

Fiber Construction

The simplest optical fiber cable consists of two concentric layers of transparent materials. The inner portion (the core) transports the light. The outer covering (the cladding) must have a lower refractive index than the core, so the two are made of different materials. Most optical fibers are packaged in a cable with additional layers to protect the core and cladding from environment and mechanical damage or degradation before use, since any damage degrades the optical waveguide as shown in **Figure 10**. Common additional layers found in a fiber optic cable include:

Buffer - A protective layer around the cladding to protect it from damage. It also serves as the load-bearing member for the optical cable.

Strength Member - Material that is added to the cable to increase tensile strength. Common strengthening materials are Kevlar®, steel and fiberglass strands or rods.

Jacket - The outermost coating of the cable, which provides protection from abrasion, acids, oil, water, etc. The choice of jacket depends upon the type of protection desired. The jacket may contain multiple layers.

The fiber optic cable in this kit has a polyethylene jacket to protect the polymethyl methacrylate polymer (PMMA) core and fluorine polymer cladding. The fiber core is 980 μm (0.04 inches) in diameter, surrounded by 10 μm of cladding.

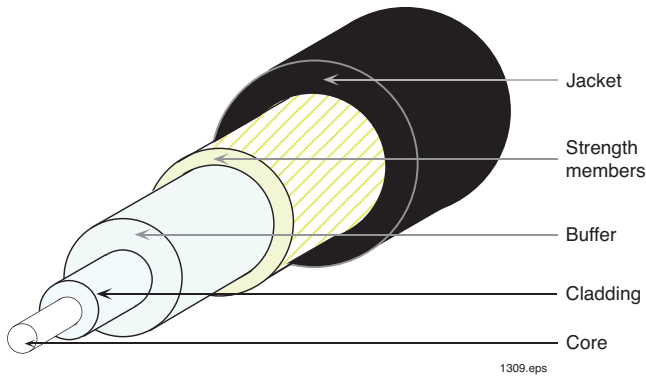


Figure 10. Cross-section of a simple fiber optic cable.

Transmitter

Fiber optic transmitters are typically composed of a buffer, driver and optical source. The buffer electronics provide both an electrical connection and “isolation” between the driver electronics and the electrical system supplying the data. The driver electronics provide electrical power to the optical source in a fashion that duplicates the pattern of data being fed to the transmitter. Finally, the optical source (LED in this kit) converts the electrical power to light energy with the same pattern. Often, optical connectors are also integrated into the final package.

The following discussion assumes the reader has a basic knowledge of analog circuit functions (e.g., amplifiers, AC-coupling, DC bias) and vocabulary.

Circuit Operation

As mentioned previously most fiber optic transmitters typically have an amplifier or buffer, driver, optical source, and sometimes an optical connector or interface. The transmitter in this kit also has an acoustic microphone for converting sound waves to an electrical signal, and requires a nine-volt battery with holder to provide electrical power. **Figure 11** shows the schematic of the circuits contained on the transmitter printed wiring board of this kit.

Pushing the momentary-close switch, **SW1**, activates the optical voice link by applying 9-volt battery power to the indicator light, microphone, audio circuits and fiber optic LED. The switch must be closed for the transmitter to operate by generating light to carry audio signals.

Tracing a signal through the transmitter circuit starts with the microphone. Here any acoustic vibrations near the microphone are sensed and produce an electrical AC signal proportional in strength and frequency to that of the acoustic signal. This AC signal is coupled through the DC blocking capacitor (**C2**) to the LM386N audio amplifier. The LM386N amplifies the signal and drives the fiber optic LED (**D2**). The output of the LED is red light with a DC component and AC signal superimposed upon it from the LM386. A typical output signal from LM386N is shown in **Figure 12**.

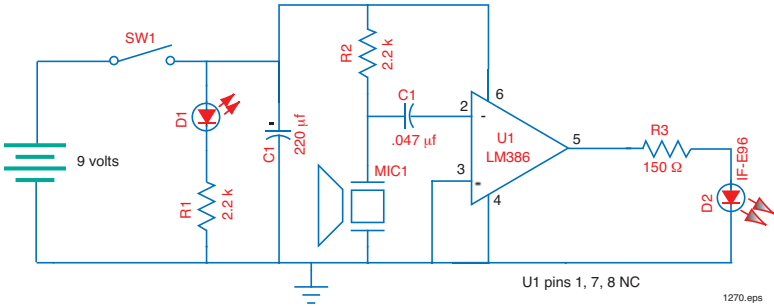


Figure 11. Transmitter circuit schematic.

Microphone

Your voice produces acoustic vibrations, which are picked up by a microphone (**MIC1**) containing a sensitive membrane and an **FET** (Field effect transistor). The microphone and **R2** form a voltage divider. With no voice input, the microphone acts as a passive resistor, resulting in a voltage across the microphone of about eight volts. When sound is sensed by the microphone, its resistance (and voltage across it) will vary according to the loudness and the frequency.

Amplifier/Driver

The LM386 is a power audio amplifier designed for use in low-voltage consumer applications. It has an input impedance (pin 2) of 50 K ohms. This input impedance combined with the 0.047 µf capacitor (**C2**) produces a 3 dB high-pass-frequency point of 70 Hz for the microphone signals. The gain of the LM386N as shown in the circuit schematic is 20. Inputs to the amplifier are ground referenced and the output is internally automatically biased at one-half the supply voltage.

The output of LM386N being at one half supply voltage causes a DC current to flow through the red fiber optic LED is equal to

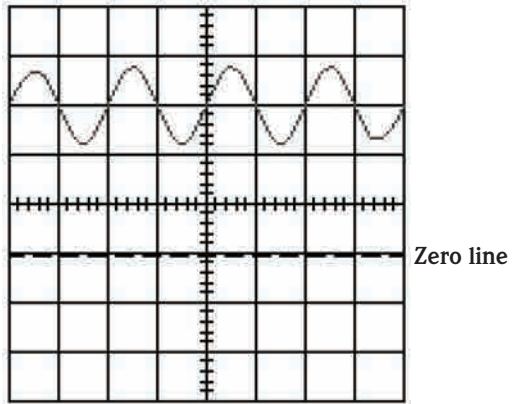


Figure 12. Oscilloscope display showing a typical AC signal superimposed on a DC level from pin 5 of LM386N in the transmitter circuit.

$$I_{LED} = \frac{V_{CC}/2 - V_{LED}}{R3}$$

Eq. 11

$$V_{CC} - 9 \text{ volts}$$

$$V_{LED} - 1.5 \text{ volts}$$

LED

The LED, IF-E96, used in this kit produces red light. Its optical output is centered at 660 nanometers (nm). The IF-E96 fiber optic component also has a built-in connector/fiber-termination optimized for the jacketed 980 μm core plastic fiber. LEDs are useful for fiber optics because they are inexpensive, reliable, easy to operate, have a wide temperature operating range, and respond quickly to electrical current.

Miscellaneous Parts

Power for the transmitter circuit is provided by a standard 9-volt alkaline battery. Power is activated when the momentary switch (**SW1**) is pressed and held. No power is consumed by the circuit when the switch is open. Typical current consumption from the battery for this circuit when the momentary switch is closed is 25 mA. Because this transmitter operates only momentarily, a battery can last for weeks of use.

A red LED (**D1**) and limiting resistor (**R1**) provide an indication of the transmitter's battery condition, and they function as a "switch-on" indicator. The LED will turn on immediately with the momentary switch's closure. If it is dim or dims after a few seconds of operation, you should replace the battery to ensure best operation.

C1 functions as a power filter capacitor for the receiver circuit when the **LM386N** amplifier/driver requires a low impedance source of energy to drive the LED.

Receiver

Once light energy from the fiber optic transmitter reaches the destination (receiver) it must be converted back to a form of electrical energy with the same information pattern that was fed to the transmitter by the person sending the message. Analog fiber optic receivers typically perform these functions using three elements: a photodetector, an amplifier and sometimes a buffer. As with fiber optic transmitters, the optical connector is often integrated into the receiver package. The photodetector converts light energy (optical power) to an electrical current. Any pattern or modulation imparted in the optical power (from, for instance, a fiber optic transmitter) will be reproduced as an electric current with the same pattern. Long lengths of fibers and other distribution losses can reduce the optical power, resulting in a comparatively weak electrical signal from the photodetector. To compensate for this decline in signal strength, the amplifier increases the amplitude of the electrical signal. Finally, buffer electronics isolate the photodetector and amplifier from any load the receiver is required to drive.

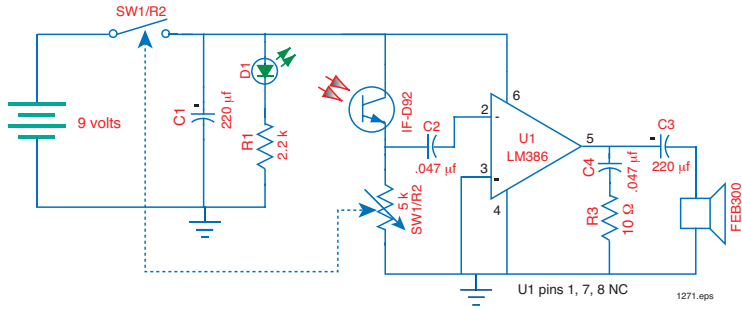


Figure 13. Receiver circuit schematic.

Circuit Operation

A schematic diagram of this fiber optic receiver is shown in **Figure 13**. In the diagram are the receiver circuit functions: photodetector, amplifier, adjustable volume control and miscellaneous electronics. Following a signal as it exits from the optical fiber, in the form of light: The signal is input to the NPN phototransistor (**D1**), which converts the light photons to a current. The phototransistor current flows through the potentiometer (**R2**) which produces a voltage — with the voltage amplitude dependent upon the position of the potentiometer and the amount of light exiting from the fiber. The voltage across the potentiometer is AC-coupled through **C1** into an amplifier (**U1**) which increases the AC voltage portion of the input signal. The output of the amplifier is AC-coupled to an 8 ohm speaker which converts the electrical signal to acoustic waves capable of being heard by our ears. On this printed wiring board is also a 9-volt battery holder (**H1**) for supporting the battery which provides circuit power and an indicator LED (**D1**) to monitor operation.

Photodetector and Potentiometer

Q1 is a NPN phototransistor. A phototransistor is similar to a normal transistor, but different in that it has an exposed base to receive light. This base acts as a photodetector, generating current when exposed to light. As with a conventional transistor, a small current through the base-emitter junction controls a larger current flowing from the collector to the emitter. The ratio of collector current to base current is the transistor's gain, usually expressed as h_{fe} . In a phototransistor the same phenomenon amplifies the base photo-generated current, as in a conventional transistor. The result is conversion from light energy to electric current, and amplification in one device. Phototransistors are often rated by their conversion of optical energy to electrical energy with a transfer function **R**. The symbol **R** is short for responsivity, and for a phototransistor indicates its sensitivity in units of amps (collector current) per watt of incoming optical power.

The modulated light energy received is sent out of the fiber onto the photosensitive base of the phototransistor, **Q1**, where the optical energy is converted into electrical current. The current flow through **Q1** is directly proportional to the amount of light striking the base: The more light striking the base, the more collector current flows. The transfer function for the IF-D92 is measured in $\mu\text{Amps}/\mu\text{Watt}$. Typical response for the IF-D92 is $125 \mu\text{A}/\mu\text{W}$.

Current through the phototransistor is converted to a voltage by a potentiometer, **R2**. The audio volume of the *Optical Voice Link* receiver is set by this variable resistor. **R2** has an audio taper, allowing a wide operating range to match the human ear's response. The potentiometer is mechanically integrated into the on/off receiver power switch, **SW1**.

Amplifier and Speaker

The amplifier in this circuit is LM386N (**U1**). LM386N is a power audio amplifier designed for use in low-voltage consumer applications. It has an input impedance (pin 2) of 50 k ohms. This input impedance combined with the 0.047 μf capacitor (**C1**) produces a 3 dB high-pass-frequency point of 70 Hz. The gain of the LM386N as shown in the circuit schematic is 20. (Options for increasing this gain are discussed in the section "Extending the Link".) Inputs to the amplifier are ground-referenced and the output is automatically internally biased at one-half the supply voltage. Components **C4** and **R3** provide capacitive load compensation to the inductive speaker load for LM386N.

The 8-ohm speaker is capacitively coupled through **C3**, a 220 μf electrolytic capacitor. The 3 dB high-pass frequency can be calculated from the equation

$$f_{3\text{ dB}} = \frac{1}{2 \pi R C} \quad \text{Eq. 12}$$

Miscellaneous Parts

Power from the 9-volt alkaline battery is controlled by **SW1** which is mechanically part of **R2**. When the receiver is not drawing current to generate audio sounds the receiver will typically consume less than 10 mA. At this current consumption, a typical 9-volt battery will last from 8 to 15 hours.

C1 functions as a low-impedance power source for the receiver circuit when the LM386N amplifier requires a large amount of energy to drive the speaker.

The green LED (**D1**) is an indicator light of the receiver switch on/off position. If the receiver circuit is on, the green LED will always be lit. If the LED is dim, or dims after a few seconds of operation, a low battery is indicated. Install a new battery when this occurs.

EXTENDING THE LINK

The distance between the transmitter and receiver can be extended up to 10 meters by using additional fiber. To purchase this additional fiber, determine the length desired and contact the distributor from whom you purchased this kit. If you do not know who that distributor is, please see our web site for assistance (see page 30 for our address.)

After purchasing a new length of fiber, complete the following steps to increase the operating distance of this link:

1. Terminate both fiber ends as described on page 7 of this manual.
2. Install one fiber end into the fiber optic LED and the other end into the phototransistor as described in **Figure 4**.
3. Physically separate the transmitter and receiver as far as the fiber length will allow.
4. Turn the receiver switch on and to the position which produces maximum volume. Have an associate remain at the receiver.
5. Press the momentary switch and speak into the microphone while watching your associate.
6. If your associate can not hear your voice, you will have to further modify the link. Solder a radial 10 μf electrolytic capacitor in the location marked **C5** on the *receiver* printed wiring board. (This will increase the gain of LM386N to 200 V/V.)
7. If the sound at the receiver is still too low, change **R3** from a 150 Ω resistor to a 47 Ω resistor.

GLOSSARY

Absorption: In an optical fiber, the loss of optical power resulting from conversion of that power into heat. See also: **Scattering**.

Acceptance Angle: The angle within which a fiber will accept light for transmission along its core. This angle is measured from the centerline of the core.

Analog: A type of information system in which the information is constantly varying. Sound is analog because it varies within a given frequency range. Compare with: **Digital**.

Attenuation: Loss of optical power (i.e., light pulses losing some of their photons), normally measured in decibels per kilometer.

Cable: A single optical fiber or a bundle of fibers, often including strengthening strands of opaque material and a protective outer jacket.

Cladding: The layer of glass or other transparent material surrounding the light-carrying core of an optical fiber that keeps the light trapped in the core. It has a lower refractive index than the core. Additional coatings, such as jackets, are often applied over the cladding to strengthen and protect it.

Core: The central, light-carrying portion of an optical fiber.

Connector: A device which joins two fiber optic cable ends or one fiber end and a light source or detector.

Coupler: A device which connects three or more fiber ends, dividing one input between two or more outputs, or combining two or more inputs in one output.

Critical Angle: The incident angle at which light undergoes total internal reflection in a fiber.

Darlington: An electronic circuit in which the emitter of one transistor is fed into the base of another transistor to amplify current.

Detector: A device that generates an electrical signal when illuminated by light. The most common in fiber optics are photodiodes, photodarlingtons and phototransistors.

Digital: A type of information system in which the information exists in the form of precise numerical values of digital pulses. The fundamental unit of digital information is the *bit* — short for binary digit. Compare with: **Analog**.

Diode: An electronic device which usually restricts electric current flow to one direction.

Fiber: The optical waveguide, or light-carrying core or conductor. It may be made of glass or plastic. See also: **Core; Cladding**.

IC: Integrated circuit. A tiny slice or “chip” of material on which a complete electrical circuit has been etched or imprinted.

Incident ray: An “incoming” ray of light — light which falls upon or strikes a surface. Compare with: **Reflected ray**.

Infrared: Electromagnetic energy with wavelengths longer than 750 nanometers and shorter than 1 millimeter. Infrared radiation cannot be seen, but it can be felt as heat or measured by instruments.

Jacket: A layer of material surrounding an optical fiber to protect the optical core and cladding but not bonded to it.

LED: Light-emitting diode. A semiconductor diode which converts electrical energy to light.

Light: Strictly speaking, electromagnetic radiation visible to the human eye. Commonly, however, the term is applied to electromagnetic radiation with properties similar to those of visible light, including the invisible near-infrared radiation used in fiber optic systems. See also: **Infrared**.

Near-Infrared: Wavelengths of radiation longer than 700 nm and shorter than 1 mm. Infrared radiation cannot be seen but can be felt as heat. Glass fibers transmit radiation best in the region 800 – 1600 nm, and plastic fibers in the 640 nm to 900 nm range.

Numerical Aperture: (NA) The sine of the half angle over which an optical fiber can accept light. Incident light which strikes the end of an optical fiber can be transmitted along that fiber only if the light strikes the fiber within the numerical index. If the incident light strikes the end of the fiber at too oblique an angle, it won't travel down the core of the fiber.

Photodetector: A device which detects and receives light waves (optical energy), then converts them into electrical signals.

Photons: Units of electromagnetic radiation. Light can be explained as either a wave or a series of photons.

Phototransistor: A transistor that detects light and amplifies the resulting electrical signal. Light falling on the base-emitter junction generates a current, which is amplified internally.

Reflected ray: A ray of light which has “bounced off” some surface. When an incident ray strikes a surface and bounces off, it becomes a reflected ray.

Refracted ray: A light ray which has been bent by its passage from one medium into another medium of different refractive index.

Refractive index: The ratio of the speed of light in a vacuum to the speed of light in a material; abbreviated “n”.

Receiver: A device that detects an optical signal and converts it into an electrical form usable by other devices. See also: **Transmitter**.

Responsivity: The ratio of detector output to input, usually specified in Amperes/watt for photodiodes, photodarlington and phototransistors.

Scattering: The changes in direction of light travel in an optical fiber occurring due to imperfections in the core and cladding material.

Splice: A permanent junction between two optical fiber ends.

Step-index fiber: An optical fiber in which the refractive index changes abruptly at the boundary between core and cladding.

Transmitter: A device that converts an electrical signal into an optical signal for transmission in a fiber cable. See also: **Receiver**.

REFERENCES

Books – Current and Classic

Building the Global Fire Optics Superhighway, David Chaffee, Springer, New York, NY 2001

Fiber Optic Reference Guide, Third Edition, David Goff, Focal Press, Burlington, MA 2002

Technician's Guide to Fiber Optics, Fourth Edition, Donald Sterling and Leo Chartrand, Delmar Cengage Learning, Florence, KY 2003

Fiber Optic Communications, James Downing and Leo Chartrand, Delmar Cengage Learning, Florence, KY 2004

Fiber Optic Communications, Fifth Edition, Joseph Palais, Prentice-Hall, Upper Saddle River, NJ 2004

City of Light: The Story of Fiber Optics, Jeff Hecht, Oxford University Press, New York, NY 2004

Fundamentals of Optical Fibers, John Buck, Wiley-Interscience, Hoboken, NJ 2004

Understanding Fiber Optics, Fifth Edition, Jeff Hecht, Prentice-Hall, Upper Saddle River, NJ 2005

Introduction to Fiber Optics, Third Edition, John Crisp and Barry Elliott, Newnes, Maryland Heights, MO 2005

Safe Use of Lasers, ANSI Standard Z136.1, Laser Institute of America, Orlando, FL 2007

Optical Fiber Communications: Principles and Practice, Third Edition, John Senior, Prentice –Hall, Upper Saddle River, NJ 2008

Fiber Optics Technician's Manual, Fourth Edition, Jim Hayes, Delmar Cengage Learning, Florence, KY 20106

(The listing below includes classic texts on fiber optics that, while they contain very valuable historical information, may not be available from their original publishers today. An Internet search usually turns up used books available at low prices, and some are even available for downloading at no cost.)

Semiconductor Devices for Optical Communications, Henry Kressel, Springer, New York, NY 1980

Safety with Lasers and Other Optical Sources, David Sliney and M.L. Wolbarsht, Springer, New York, NY 1980

Principles of Optical Fiber Measurements, Dietrich Marcuse, Academic Press, Maryland Heights, MO 1981

Fiber Optics, Edward Lacy, Prentice-Hall, Upper Saddle River, NJ 1982

Introduction to Optical Fibers, Allen Cherin, McGraw-Hill, New York, NY 1983

Fiber Optics: Bright New Way to Communicate, Charlene Billings, Dodd, Mead & Company, New York, NY 1986

Optical Fiber Transmission, E.E. Bert Basch, Howard W. Sams, Indianapolis, IN 1987

The Rewiring of America: The Fiber Revolution, David Chaffee, Academic Press, Maryland Heights, MO 1988

Fiber Optics Handbook for Engineers and Scientists, Frederick Allard, McGraw-Hill, New York, NY, 1990

Optoelectronics, Fiber Optics and Laser Cookbook, Thomas Petruzzellis, McGraw-Hill, New York, NY 1997

Safe Use of Optical Fiber Communications Systems Utilizing Laser Diodes & LED Sources, ANSI Standard Z136.2, Laser Institute of America, Orlando, FL 1997

Periodical Publications

Applied Optics, Optical Society of America (OSA), Washington, DC
Phone: (202) 416-1918. Information about this magazine and others produced by OSA can be found on the OSA website: <http://www.osa.org/>

Laser Focus World is one of several related magazines published by OptoIQ and PennWell Publishing, Tulsa, OK See descriptions of all the publications at <http://www.optoiq.com/index.html>

Lightwave Magazine Online is another PennWell Publishing product.
<http://www.lightwaveonline.com/>

Optical Engineering, SPIE, Bellingham, WA This and other publications produced by the Society of Photo-Optical Instrumentation Engineers are described on the SPIE website: <http://spie.org/>

Photonics Spectra magazine, Laurin Publishing, Pittsfield, MA
<http://www.photonics.com/>

Fiber Optic Buyers Guide*

Fiberoptic Product News Buying Guide, Pennwell Publishing,
<http://www.optoiq.com/index.html>

Photonics Buyers' Guide, Laurin Publishing,
<http://www.photonics.com/BuyersGuide.aspx>

Fiber Optics Online, VertMarkets, <http://www.fiberopticsonline.com/>

Organizations

Optical Society of America, Washington, DC <http://www.osa.org/> (800) 766-4672

Society of Photo-Optical Instrumentation Engineers (SPIE), Bellingham, WA
<http://spie.org/> (888) 504-8171

Laser Institute of America, Orlando, FL <http://www.laserinstitute.org/> (800) 345-2737

The Fiber Optic Association, Fallbrook, CA <http://www.thefoa.org/> (760) 451-3655

* Buyers guides are updated and published each year.

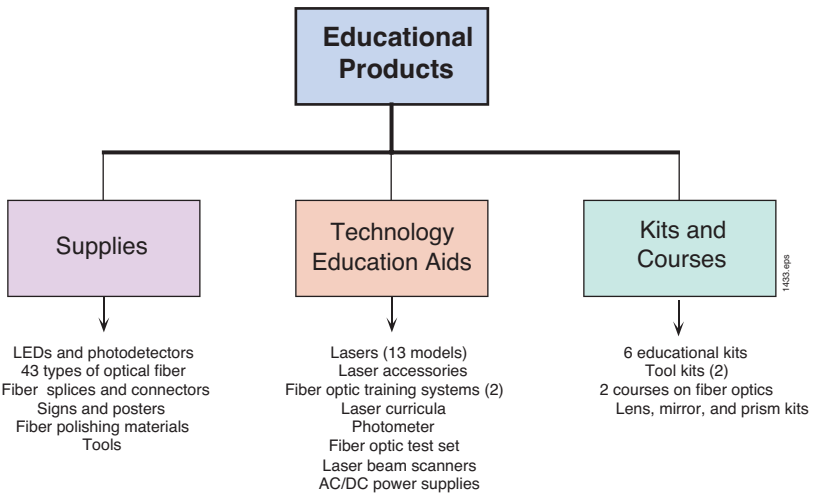
MORE PRODUCTS, TO STIMULATE AND CHALLENGE –

12 0090 Rev C

Industrial Fiber Optics manufactures a wide variety of top-quality products suited for all users, from the student and casual experimenter to professional researcher. All of *Industrial Fiber Optics*' products are based on light — its application and understanding (light is defined as the electromagnetic spectrum where invisible radiation has the properties of “visible” light). Our educational products portfolio includes:

- **lasers** which produce light,
- **optics** which reflect or refract light,
- **fiber optics** which produce, detect and transmit light.

These fall into three main categories:



We make every effort to incorporate state-of-the-art technology, highest quality, and dependability in our products. We constantly explore new ideas and products to best serve the rapidly expanding needs of industry and education. We encourage comments that you may have about our products, and we welcome the opportunity to discuss new ideas that may better meet your needs. If you would like a catalog describing any of the products above, please contact us by phone or fax at (480) 804-1227 and (480) 804-1229, respectively. You may contact us in writing at:

INDUSTRIAL FIBER OPTICS

1725 WEST 1ST STREET
TEMPE, AZ 85281-7622
USA

If you would like to view our products on the Internet go to:

www.i-fiberoptics.com

Additional Kits:

Adventures in Fiber Optics Kit

Welcome to the fascinating world of fiber optic technology

With the Adventures in Fiber Optics Kit, anyone can follow the exploits of famous experimenters such as Galileo, Franklin, Tyndall and Gould. Explore fiber optics starting with the very basics and learn about the fascinating potential of fiber optical technology. This kit is suggested for ages 10 and above.

Activities include: Bending a Light Guide • Fluorescence

- Tyndall's Prestigious Experiment • Special Fiber Optic Lighting • Art of Polishing Glass
- Making Your Own Conduit • Creating a Holiday Ornament. (PN IF E60)



Speed of Light Apparatus

Do-it-yourself assembly kit for measuring the speed of light

For centuries, men and women of science tried many fascinating ways to measure the speed of light. The culmination of their efforts is this low-cost ingenious kit, which allows the common person to measure the speed of light. Included with the electronic and physical components is an easily understood, lighthearted manual, which traces the steps of the pioneers in optics, along with a step-by-step assembly instructions. (PN IF SLK)

Fiber Optics Lab Manual and Kit

From basic physics to design and circuit solutions

This kit contains a 68-page technical manual, and all the fiber optic and electronic components needed to complete nine exciting experiments in fiber optics.

Experiments include: Making a light guide • Fiber optic

- cable transmission • Characteristics of connectors and splices • Index-matching procedures
- Speed of opto-electronic devices • Fiber optic transmitter • Receiver design
- Fiber termination techniques. (PN IF LMH)



POF Tool Kit

A general purpose tool kit for plastic optical fiber and cable

Industrial Fiber Optics has put together a set of tools that will get you started working with POF.

Kit contains: General purpose fiber optic stripper • 25 watt hot knife • Professional Fiber Cutter (PN IF FC1)

- Water dispenser • Glass polishing plate • 2000 grit and 3 μm polishing films • ST fiber polishing puck • Storage container. The hot knife and termination fixture aid in cutting fiber and making AMP, dry no-polish connectors. With this kit, there will be no more nicked or damaged fibers from using common wire strippers. (PN IF TK4)

