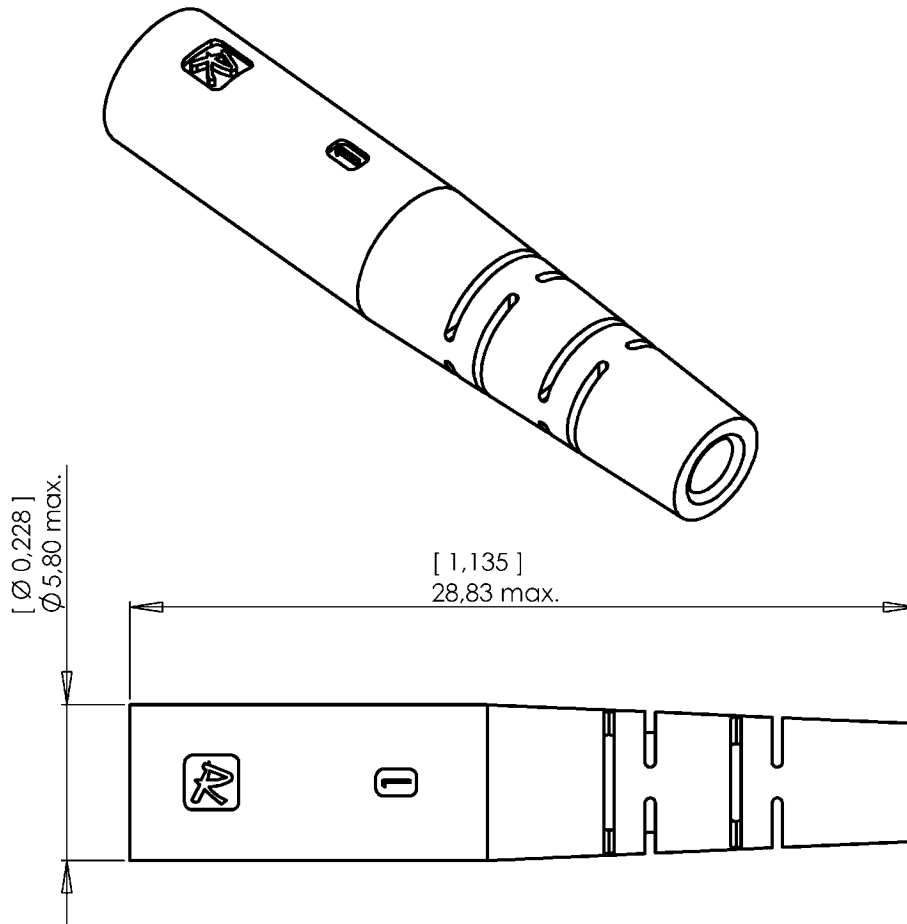


BOOT FOR Ø 2 TO 2,2 MM CABLE

 Packaging  
 100

 Series  
 LC

 Issue  
 10 18 02

 Page  
 1 / 1


Original dimensions in mm [inch]

**GENERAL**

- Compatible with LC connectors
- Suitable for use with cables sizes Ø 2 mm to Ø 2,2 mm
- Compatible with Bellcore GR 326 specification (V0, LOI 28 % mini.)
- Color : **Beige**