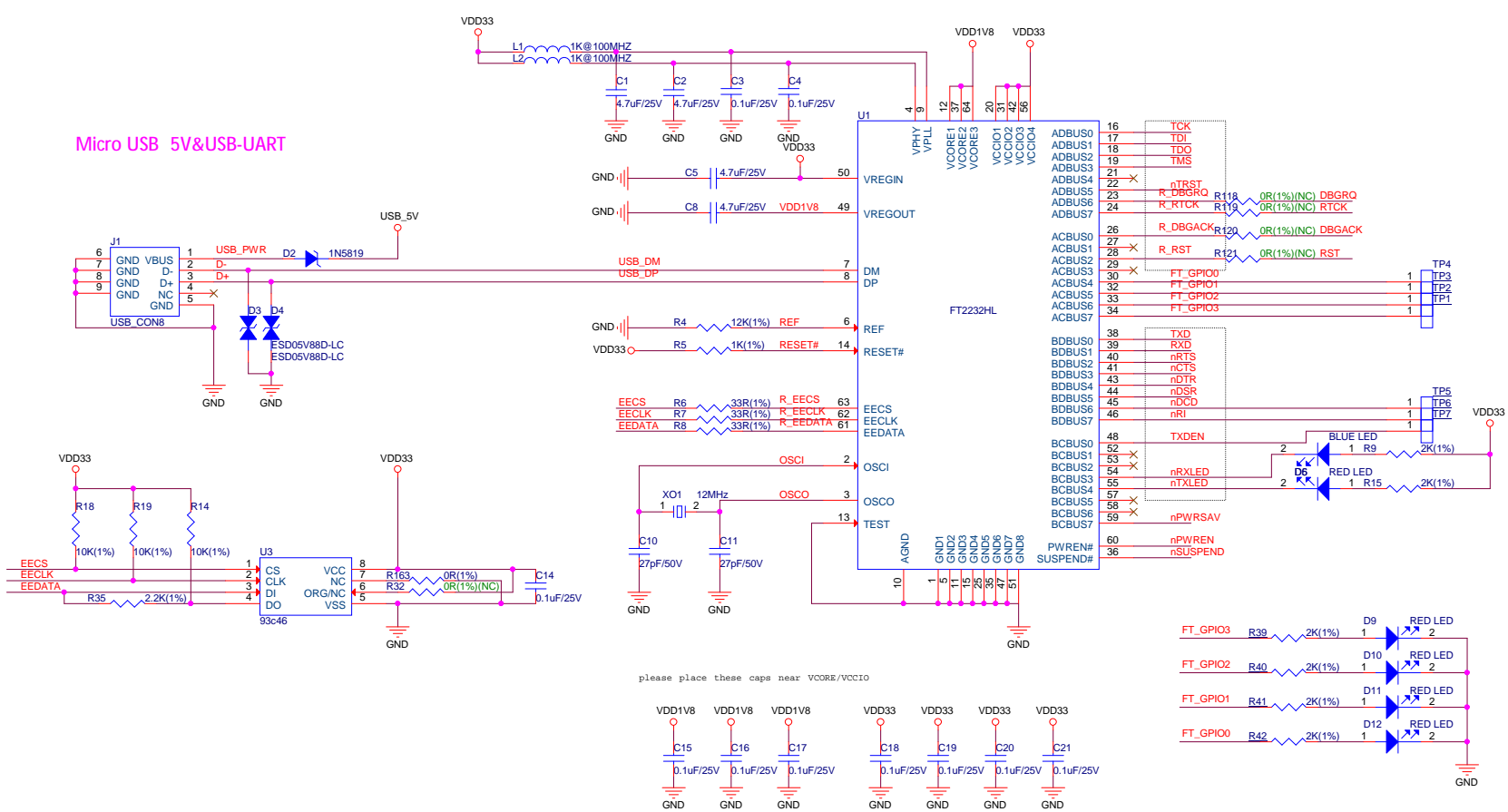


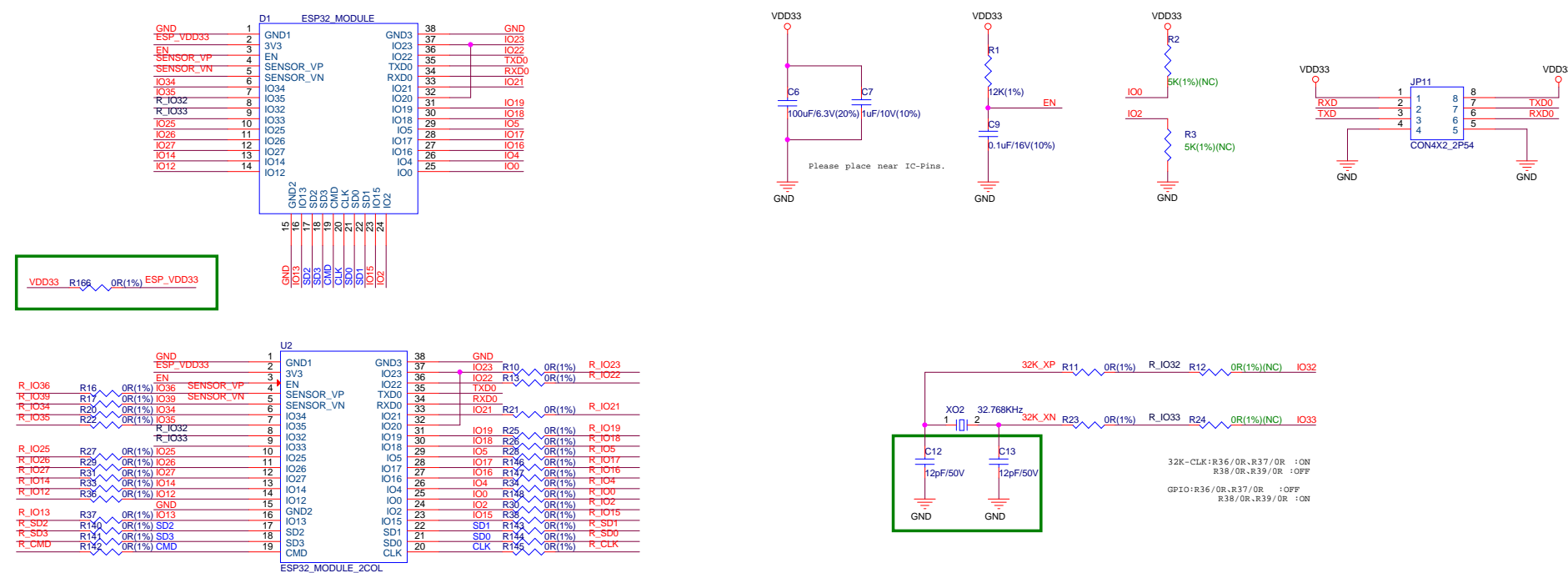
Serial-Port:

Micro USB 5V/USB-UART

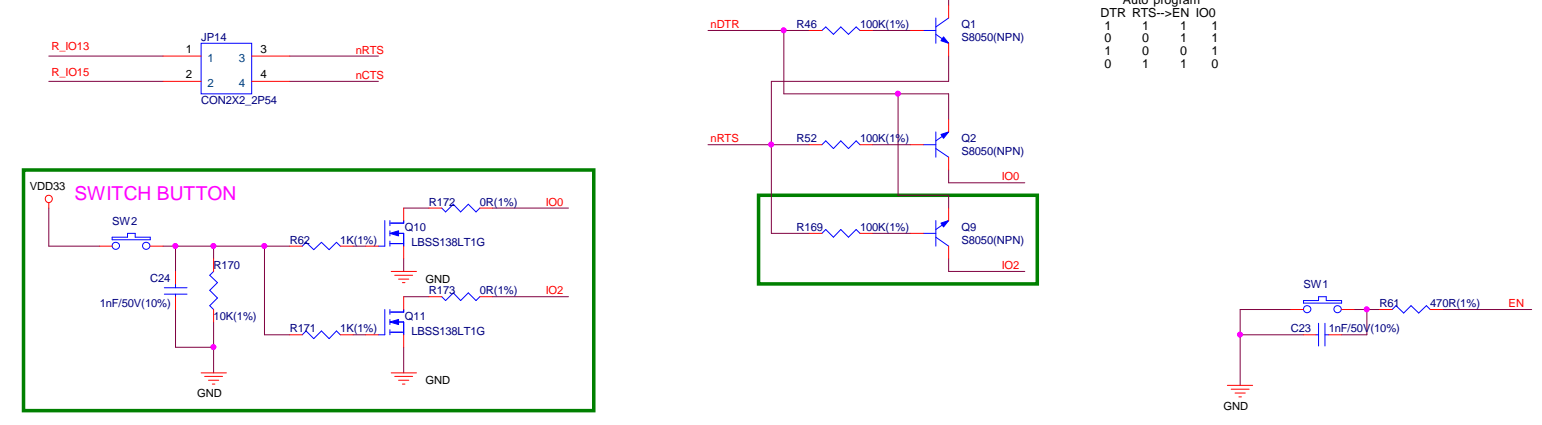


ESP32-Module:

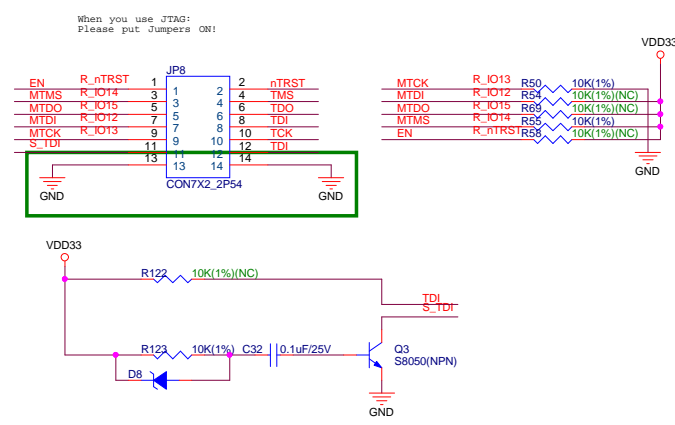
Support ESP32 Module:
compatible old and new module



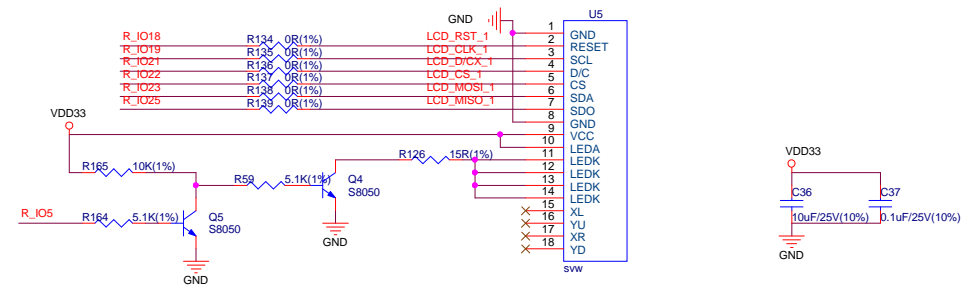
Switch:



JTAG:

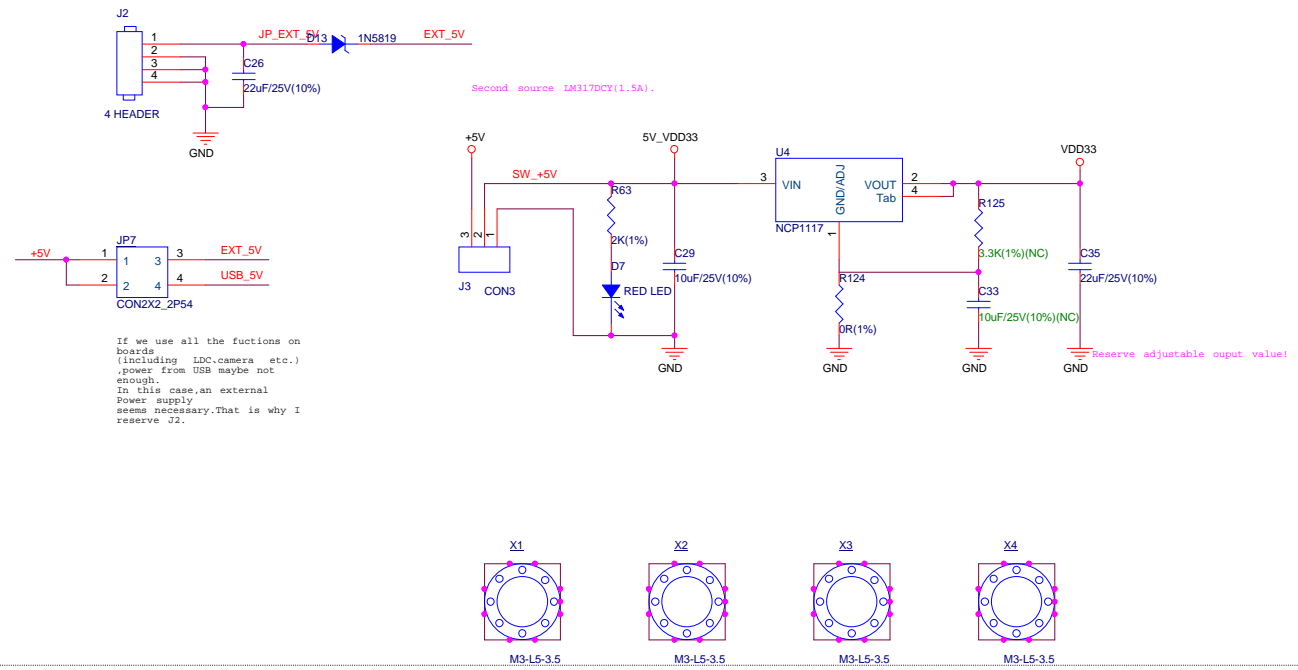


LCD Screen:

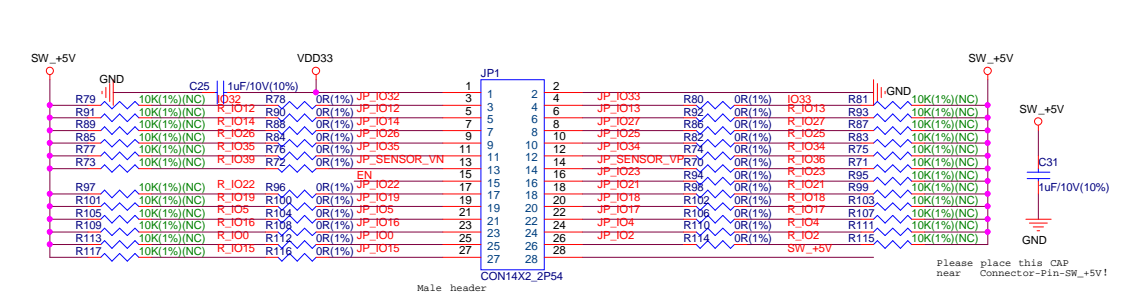


Power:

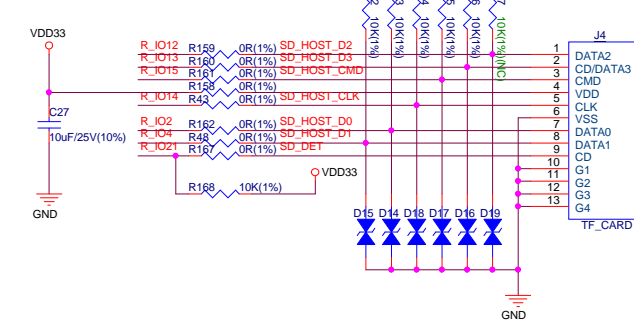
External 5V Power



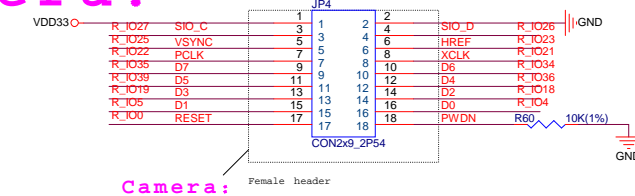
Connector:



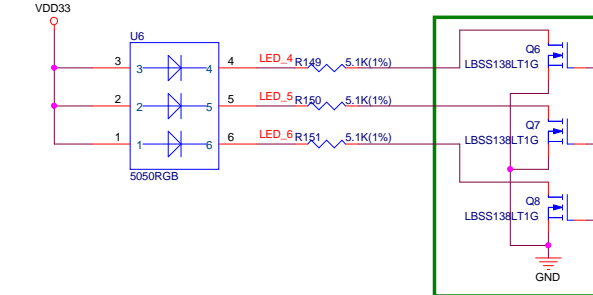
SD Card:



Camera:



RGB:



SPI:

