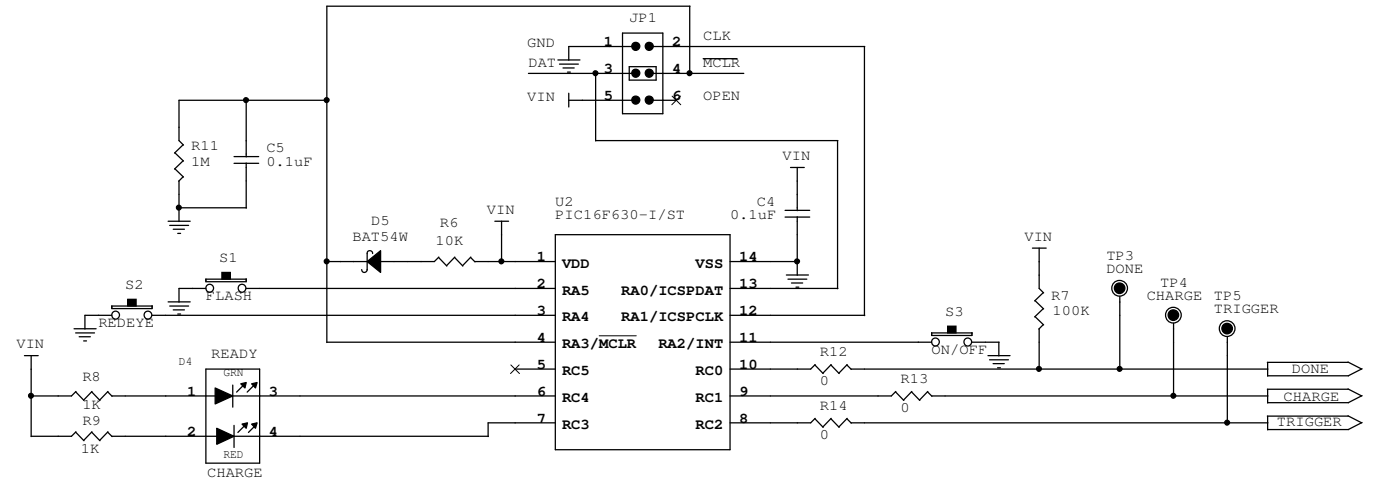
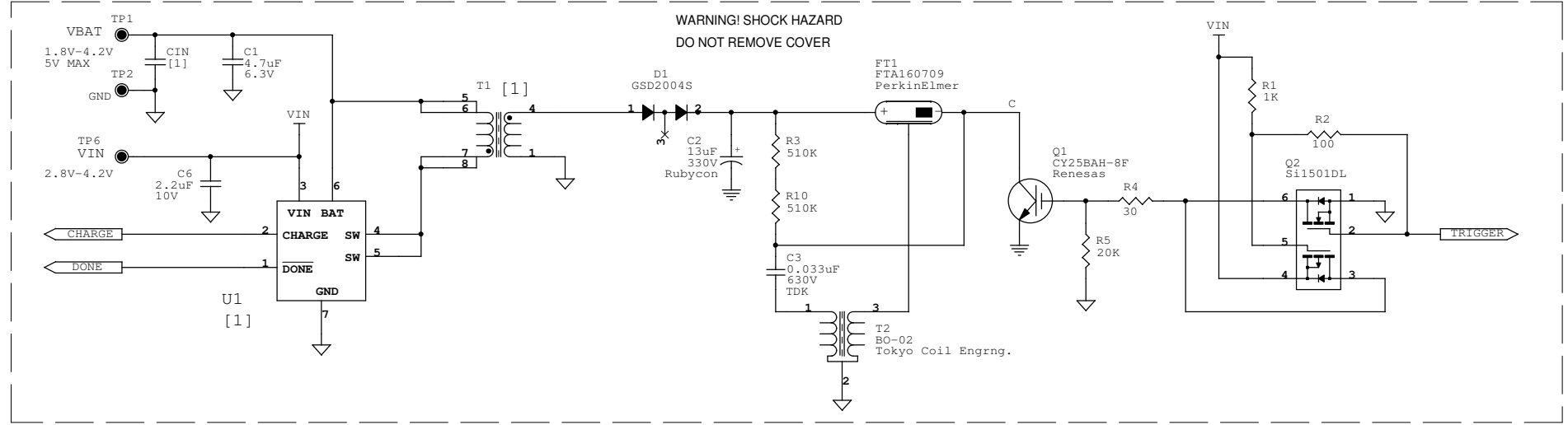


This circuit is proprietary to Linear Technology and supplied for use with Linear Technology parts.

Customer Notice: Linear Technology has made a best effort to design a circuit that meets customer-supplied specifications; however, it remains the customers responsibility to verify proper and reliable operation in the actual application. Component substitution and printed circuit board layout may significantly affect circuit performance or reliability. Contact Linear Applications Engineering for assistance.

REVISION HISTORY				
ECO	REV	DESCRIPTION	DATE	APPROVED
	3	PROTO	08/20/05	

WARNING! SHOCK HAZARD
DO NOT REMOVE COVER



[1]	VERSION	U1	T1 (TDK)	CIN
	-A	LT3484EDCB-0	LDT565630T-001	CAP, 0805 10uF 20% 6.3V X5R
	-B	LT3484EDCB-1	LDT565630T-002	CAP, 0805 4.7uF 10% 6.3V X5R
	-C	LT3484EDCB-2	LDT565630T-003	CAP, 0805 10uF 20% 6.3V X5R

CONTRACT NO.				1630 McCarthy Blvd Milpitas, CA 95035 Phone: (408)432-1900 Fax: (408)434-0507	
APPROVALS	DATE				
DRAWN MEI	11/02/04	TITLE SCH, LT3484EDCB-0/1/2, PHOTOFLASH CHARGER			
CHECKED		SIZE	CAGE CODE	DWG NO	REV
APPROVED		Custom		DC855A	3
ENGINEER		SCALE:	FILENAME: 855A-3.DSN	SHEET 1	OF 1
DESIGNER					

Monday, June 27, 2005