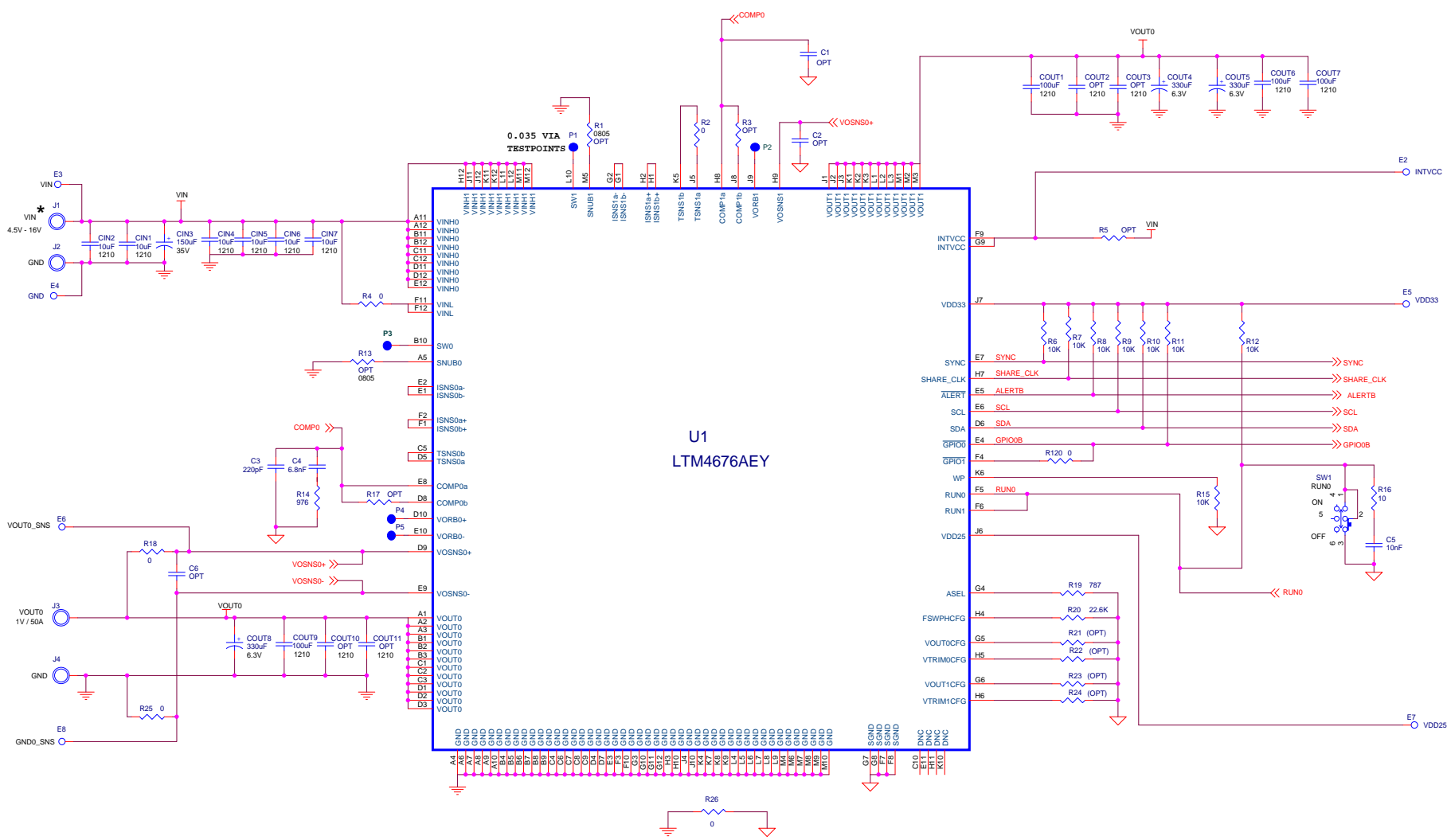


REVISION HISTORY				
ECO	REV	DESCRIPTION	APPROVED	DATE
-	1	PRODUCTION	JIAN L.	10-23-15



NOTE: UNLESS OTHERWISE SPECIFIED

1. ALL RESISTORS ARE 0603.
ALL CAPACITORS ARE 0603.

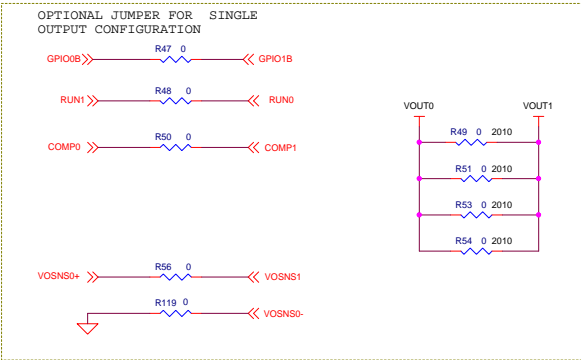
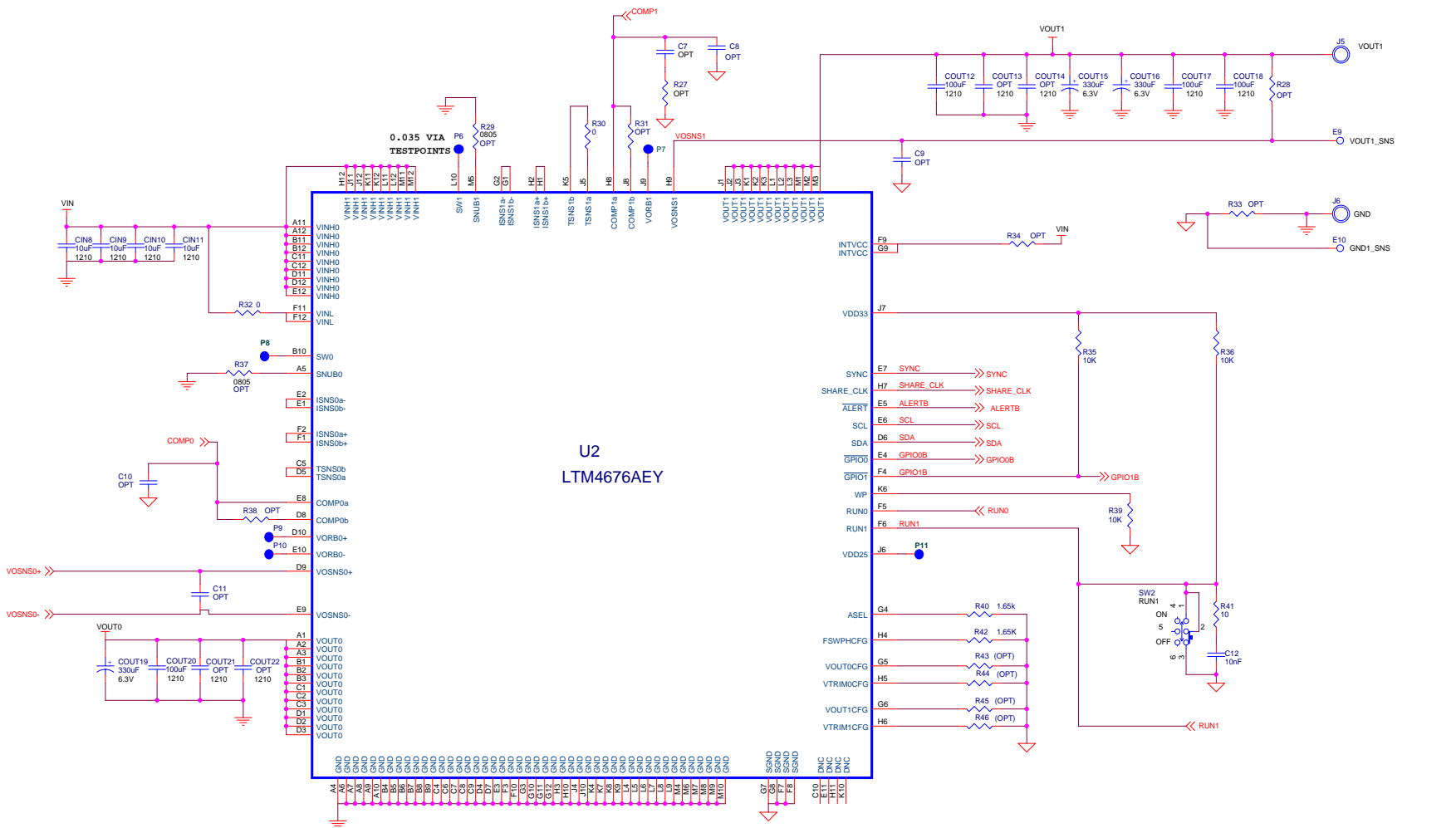
* WHEN VIN < 5.75V, SHORT INTVCC TO VIN WITH R5,R34,R61,R75.

CUSTOMER NOTICE
 LINEAR TECHNOLOGY HAS MADE A BEST EFFORT TO DESIGN A CIRCUIT THAT MEETS CUSTOMER-SUPPLIED SPECIFICATIONS; HOWEVER, IT REMAINS THE CUSTOMER'S RESPONSIBILITY TO VERIFY PROPER AND RELIABLE OPERATION IN THE ACTUAL APPLICATION. COMPONENT SUBSTITUTION AND PRINTED CIRCUIT BOARD LAYOUT MAY SIGNIFICANTLY AFFECT CIRCUIT PERFORMANCE OR RELIABILITY. CONTACT LINEAR TECHNOLOGY APPLICATIONS ENGINEERING FOR ASSISTANCE.

THIS CIRCUIT IS PROPRIETARY TO LINEAR TECHNOLOGY AND SUPPLIED FOR USE WITH LINEAR TECHNOLOGY PARTS.

APPROVALS	
PCB DES.	HZ
APP ENG.	JIAN L.
SCALE	NONE

		1630 McCarthy Blvd. Milpitas, CA 95035 Phone: (408)432-1900 www.linear.com Fax: (408)434-0507 LTC Confidential-For Customer Use Only	
		TITLE: SCHEMATIC HIGH EFFICIENCY, POLY-PHASE, DC/DC STEP-DOWN μModule REGULATOR WITH DIGITAL POWER MANAGEMENT	
SIZE	IC NO.	REV.	
B	LTM4676AEY	1	
DATE:		TUESDAY, MARCH 22, 2016	
SHEET 1 OF 6		REV. 1	



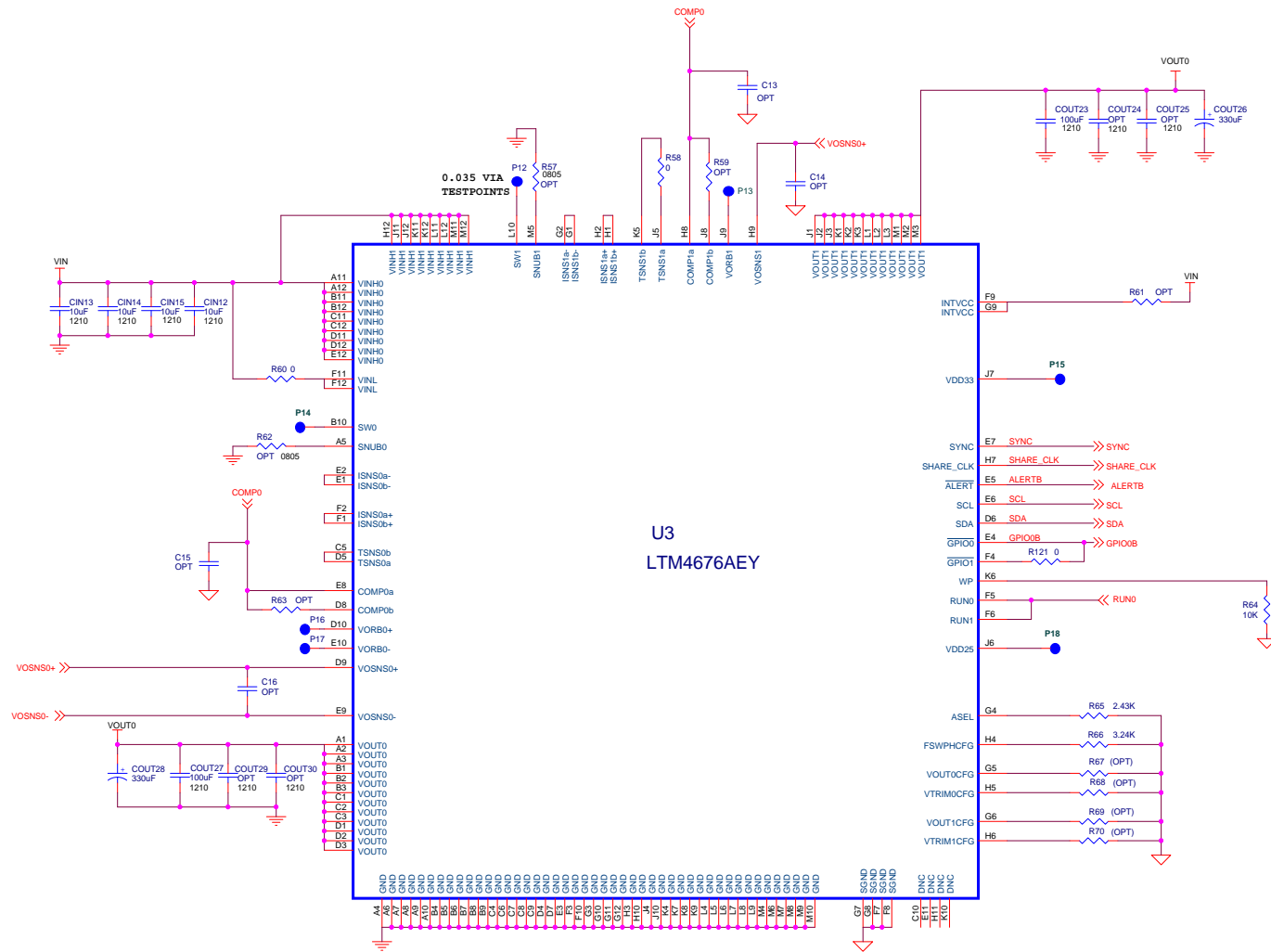
CUSTOMER NOTICE

LINEAR TECHNOLOGY HAS MADE A BEST EFFORT TO DESIGN A CIRCUIT THAT MEETS CUSTOMER-SUPPLIED SPECIFICATIONS; HOWEVER, IT REMAINS THE CUSTOMER'S RESPONSIBILITY TO VERIFY PROPER AND RELIABLE OPERATION IN THE ACTUAL APPLICATION. COMPONENT SUBSTITUTION AND PRINTED CIRCUIT BOARD LAYOUT MAY SIGNIFICANTLY AFFECT CIRCUIT PERFORMANCE OR RELIABILITY. CONTACT LINEAR TECHNOLOGY APPLICATIONS ENGINEERING FOR ASSISTANCE.

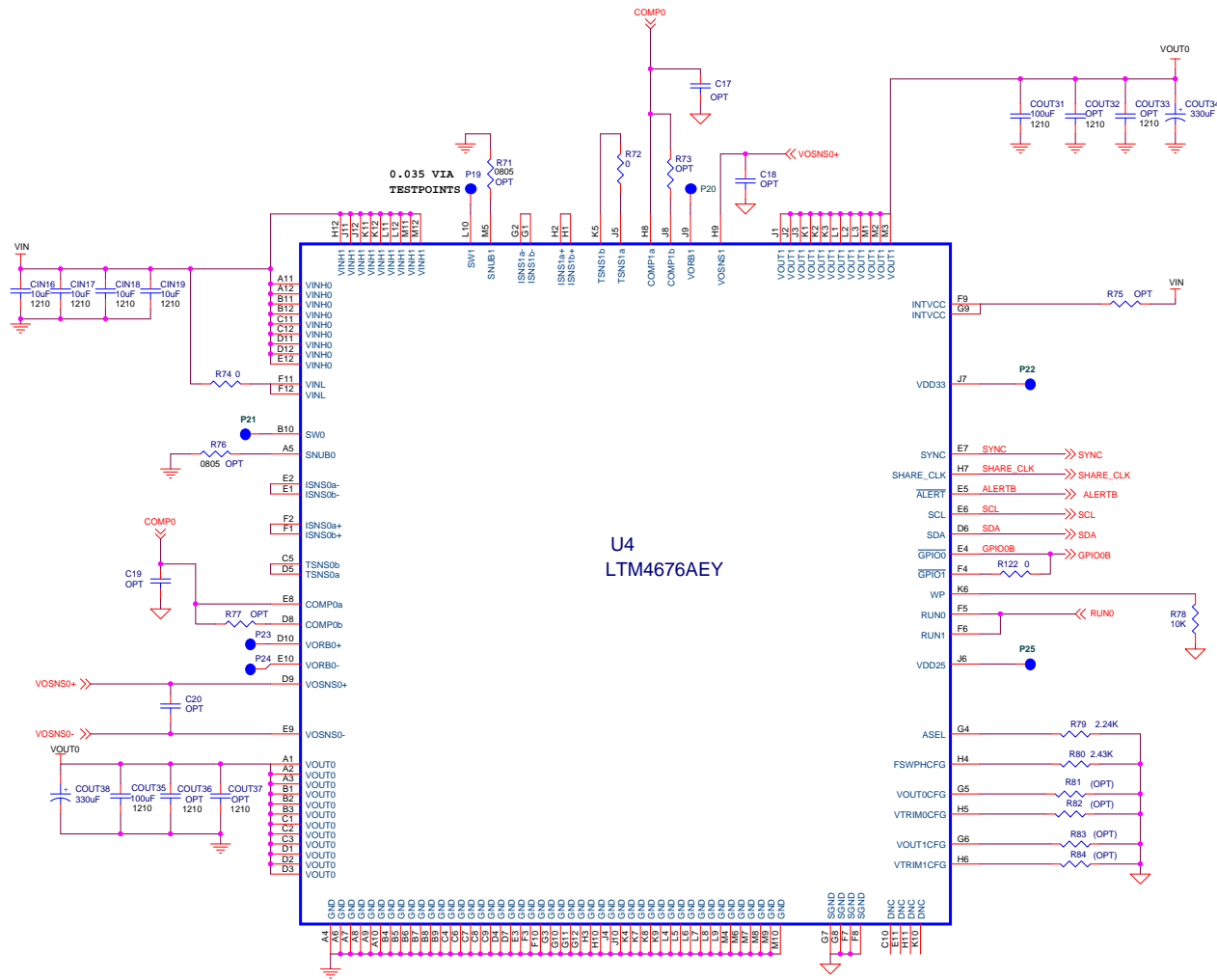
THIS CIRCUIT IS PROPRIETARY TO LINEAR TECHNOLOGY AND SUPPLIED FOR USE WITH LINEAR TECHNOLOGY PARTS.

APPROVALS	
PCB DES.	HZ
APP ENG.	JIAN L.
SCALE	NONE

		1630 McCarthy Blvd. Milpitas, CA 95035 Phone: (408)432-1900 www.linear.com Fax: (408)434-0507 LTC Confidential-For Customer Use Only	
		TITLE: SCHEMATIC HIGH EFFICIENCY, POLY-PHASE, DC/DC STEP-DOWN μModule REGULATOR WITH DIGITAL POWER MANAGEMENT	
SIZE	IC NO.	REV.	
B	LTM4676AEY	1	
DEMO CIRCUIT 1989B-C			
DATE:	Tuesday, March 22, 2016	SHEET 2 OF 6	

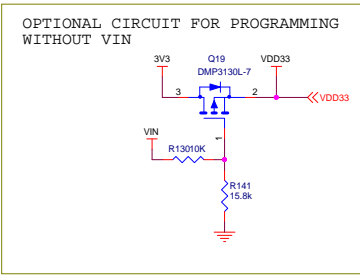
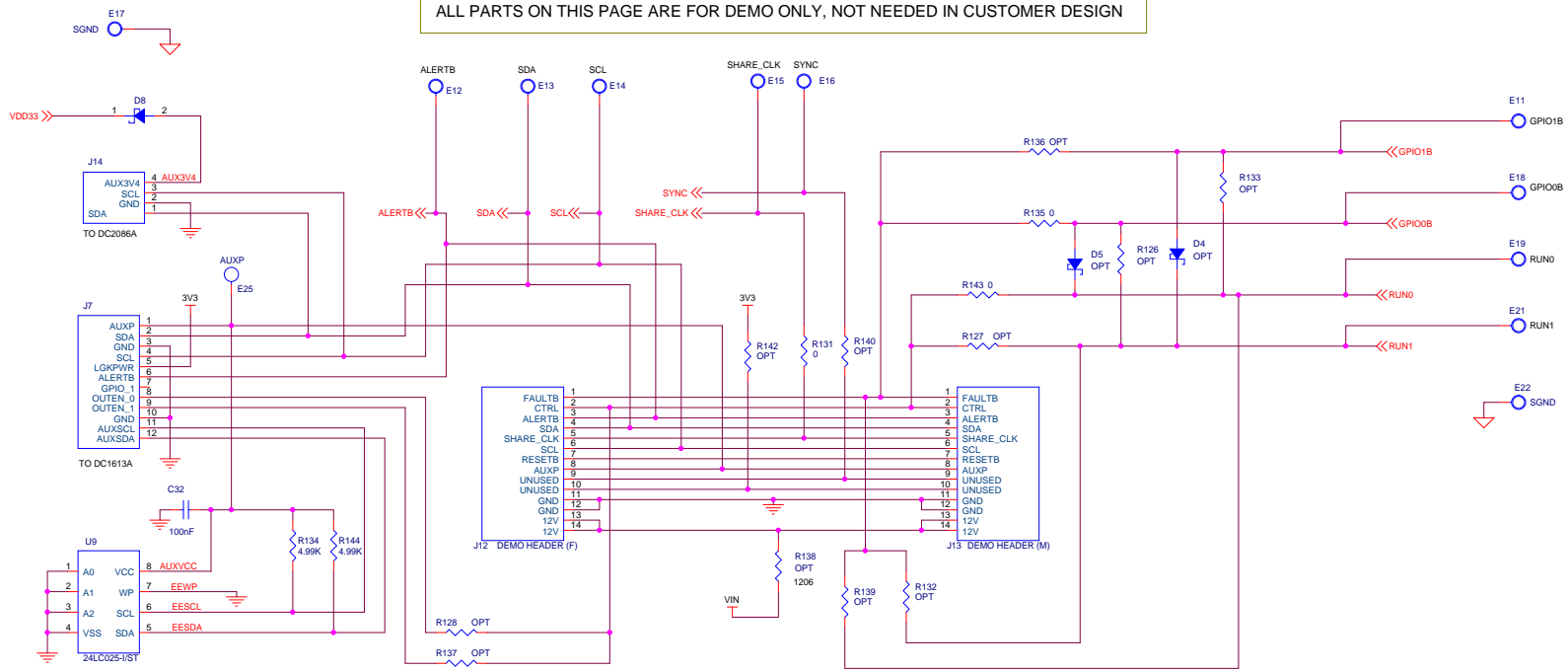


<p style="text-align: center;">CUSTOMER NOTICE</p> <p>LINEAR TECHNOLOGY HAS MADE A BEST EFFORT TO DESIGN A CIRCUIT THAT MEETS CUSTOMER-SUPPLIED SPECIFICATIONS; HOWEVER, IT REMAINS THE CUSTOMER'S RESPONSIBILITY TO VERIFY PROPER AND RELIABLE OPERATION IN THE ACTUAL APPLICATION. COMPONENT SUBSTITUTION AND PRINTED CIRCUIT BOARD LAYOUT MAY SIGNIFICANTLY AFFECT CIRCUIT PERFORMANCE OR RELIABILITY. CONTACT LINEAR TECHNOLOGY APPLICATIONS ENGINEERING FOR ASSISTANCE.</p>		<p style="text-align: center;">APPROVALS</p>		<p>1630 McCarthy Blvd. Milpitas, CA 95035 Phone: (408)432-1900 www.linear.com Fax: (408)434-0507 LTC Confidential-For Customer Use Only</p>	
		PCB DES.	HZ		
<p>THIS CIRCUIT IS PROPRIETARY TO LINEAR TECHNOLOGY AND SUPPLIED FOR USE WITH LINEAR TECHNOLOGY PARTS.</p>		SCALE = NONE		<p>TITLE: SCHEMATIC HIGH EFFICIENCY, POLY-PHASE, DC/DC STEP-DOWN µModule REGULATOR WITH DIGITAL POWER MANAGEMENT</p>	
		SIZE	B	IC NO.	LTM4676AEY
		DATE: Tuesday, March 22, 2016		SHEET 3 OF 6	

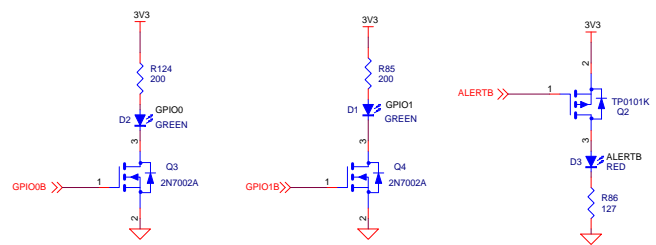


<p style="text-align: center;">CUSTOMER NOTICE</p> <p>LINEAR TECHNOLOGY HAS MADE A BEST EFFORT TO DESIGN A CIRCUIT THAT MEETS CUSTOMER-SUPPLIED SPECIFICATIONS; HOWEVER, IT REMAINS THE CUSTOMER'S RESPONSIBILITY TO VERIFY PROPER AND RELIABLE OPERATION IN THE ACTUAL APPLICATION. COMPONENT SUBSTITUTION AND PRINTED CIRCUIT BOARD LAYOUT MAY SIGNIFICANTLY AFFECT CIRCUIT PERFORMANCE OR RELIABILITY. CONTACT LINEAR TECHNOLOGY APPLICATIONS ENGINEERING FOR ASSISTANCE.</p> <p>THIS CIRCUIT IS PROPRIETARY TO LINEAR TECHNOLOGY AND SUPPLIED FOR USE WITH LINEAR TECHNOLOGY PARTS.</p>		<p style="text-align: center;">APPROVALS</p> <p>PCB DES. HZ</p> <p>APP ENG. JAN L.</p>		<p style="text-align: center;">LINEAR TECHNOLOGY</p> <p>1630 McCarthy Blvd. Milpitas, CA 95035 Phone: (408)432-1900 www.linear.com Fax: (408)434-0507 LTC Confidential-For Customer Use Only</p>	
		<p>TITLE: SCHEMATIC HIGH EFFICIENCY, POLY-PHASE, DC/DC STEP-DOWN μModule REGULATOR WITH DIGITAL POWER MANAGEMENT</p>		<p>SIZE IC NO. REV. B LTM4676AEY 1</p>	
<p>SCALE = NONE</p>		<p>DATE: Tuesday, March 22, 2016</p>		<p>SHEET 4 OF 6</p>	

ALL PARTS ON THIS PAGE ARE FOR DEMO ONLY, NOT NEEDED IN CUSTOMER DESIGN



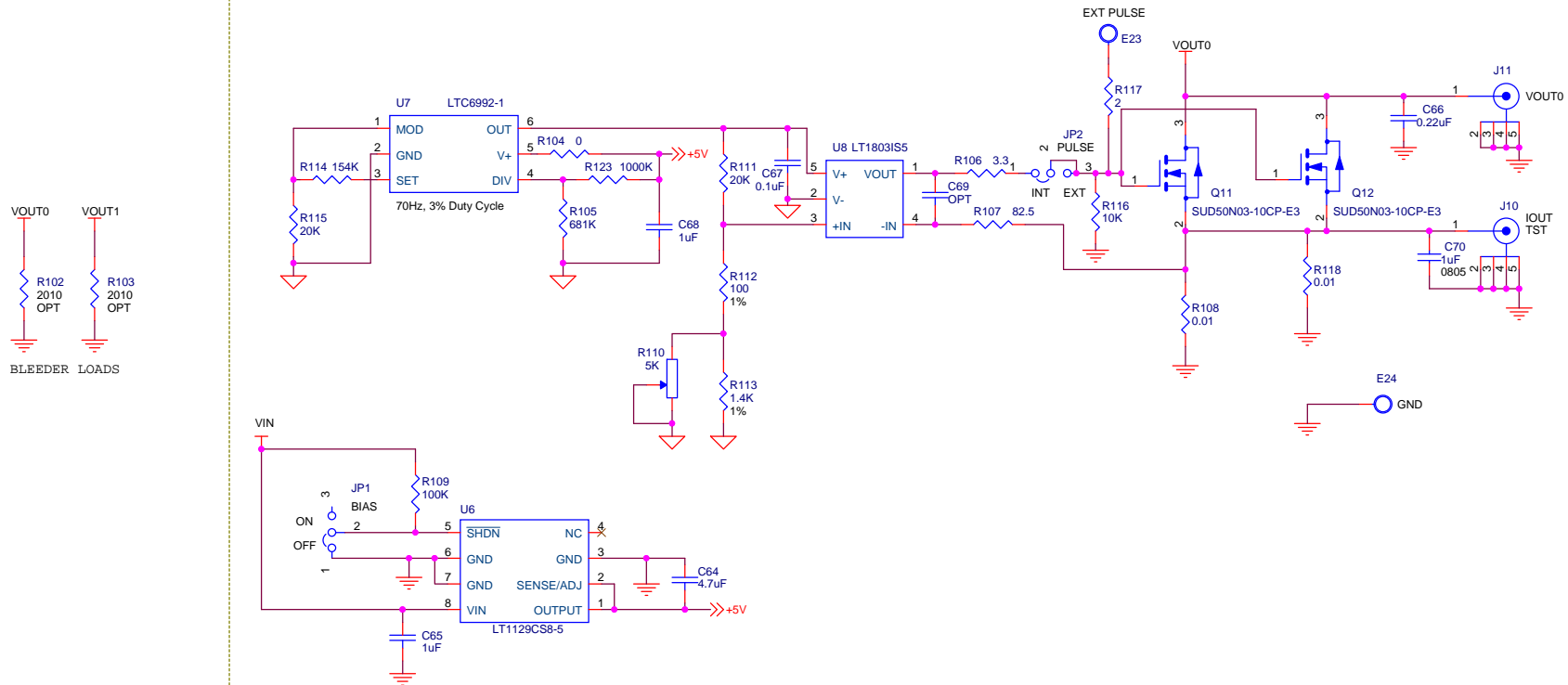
PSM STACKING CONNECTORS:
 J1, MALE, CONN HEADER 14POS 2MM R/A GOLD, Molex Connector Corp. 87760-1416
 J2, FEMALE, CONN RECEPT 2MM DUAL R/A 14POS, Sullins Conn. NPPN072FJFN-RC




CUSTOMER NOTICE LINEAR TECHNOLOGY HAS MADE A BEST EFFORT TO DESIGN A CIRCUIT THAT MEETS CUSTOMER-SUPPLIED SPECIFICATIONS; HOWEVER, IT REMAINS THE CUSTOMER'S RESPONSIBILITY TO VERIFY PROPER AND RELIABLE OPERATION IN THE ACTUAL APPLICATION. COMPONENT SUBSTITUTION AND PRINTED CIRCUIT BOARD LAYOUT MAY SIGNIFICANTLY AFFECT CIRCUIT PERFORMANCE OR RELIABILITY. CONTACT LINEAR TECHNOLOGY APPLICATIONS ENGINEERING FOR ASSISTANCE.		APPROVALS PCB DES. HZ APP ENG. JAN L.		1630 McCarthy Blvd. Milpitas, CA 95035 Phone: (408)432-1900 www.linear.com Fax: (408)434-0507 LTC Confidential-For Customer Use Only	
THIS CIRCUIT IS PROPRIETARY TO LINEAR TECHNOLOGY AND SUPPLIED FOR USE WITH LINEAR TECHNOLOGY PARTS.		SCALE = NONE		TITLE: SCHEMATIC HIGH EFFICIENCY, POLY-PHASE, DC/DC STEP-DOWN μModule REGULATOR WITH DIGITAL POWER MANAGEMENT SIZE B IC NO. LTM4676AEY REV. 1 DEMO CIRCUIT 1989B-C DATE: Tuesday, March 22, 2016 SHEET 5 OF 6	

ALL PARTS ON THIS PAGE ARE FOR DEMO ONLY, NOT NEEDED IN CUSTOMER DESIGN

DYNAMIC LOAD CIRCUIT



CUSTOMER NOTICE		APPROVALS		 1630 McCarthy Blvd. Milpitas, CA 95035 Phone: (408)432-1900 www.linear.com Fax: (408)434-0507 LTC Confidential-For Customer Use Only
LINEAR TECHNOLOGY HAS MADE A BEST EFFORT TO DESIGN A CIRCUIT THAT MEETS CUSTOMER-SUPPLIED SPECIFICATIONS; HOWEVER, IT REMAINS THE CUSTOMER'S RESPONSIBILITY TO VERIFY PROPER AND RELIABLE OPERATION IN THE ACTUAL APPLICATION. COMPONENT SUBSTITUTION AND PRINTED CIRCUIT BOARD LAYOUT MAY SIGNIFICANTLY AFFECT CIRCUIT PERFORMANCE OR RELIABILITY. CONTACT LINEAR TECHNOLOGY APPLICATIONS ENGINEERING FOR ASSISTANCE.		PCB DES.	HZ	
THIS CIRCUIT IS PROPRIETARY TO LINEAR TECHNOLOGY AND SUPPLIED FOR USE WITH LINEAR TECHNOLOGY PARTS.		APP ENG.	JIAN L.	
		TITLE: SCHEMATIC HIGH EFFICIENCY, POLY-PHASE, DC/DC STEP-DOWN μModule REGULATOR WITH DIGITAL POWER MANAGEMENT		
		SIZE	IC NO.	
		B	LTM4676AEY	
		DEMO CIRCUIT 1989B-C		
		DATE:	Tuesday, March 22, 2016	
		SCALE = NONE	SHEET 6 OF 6	
			REV. 1	