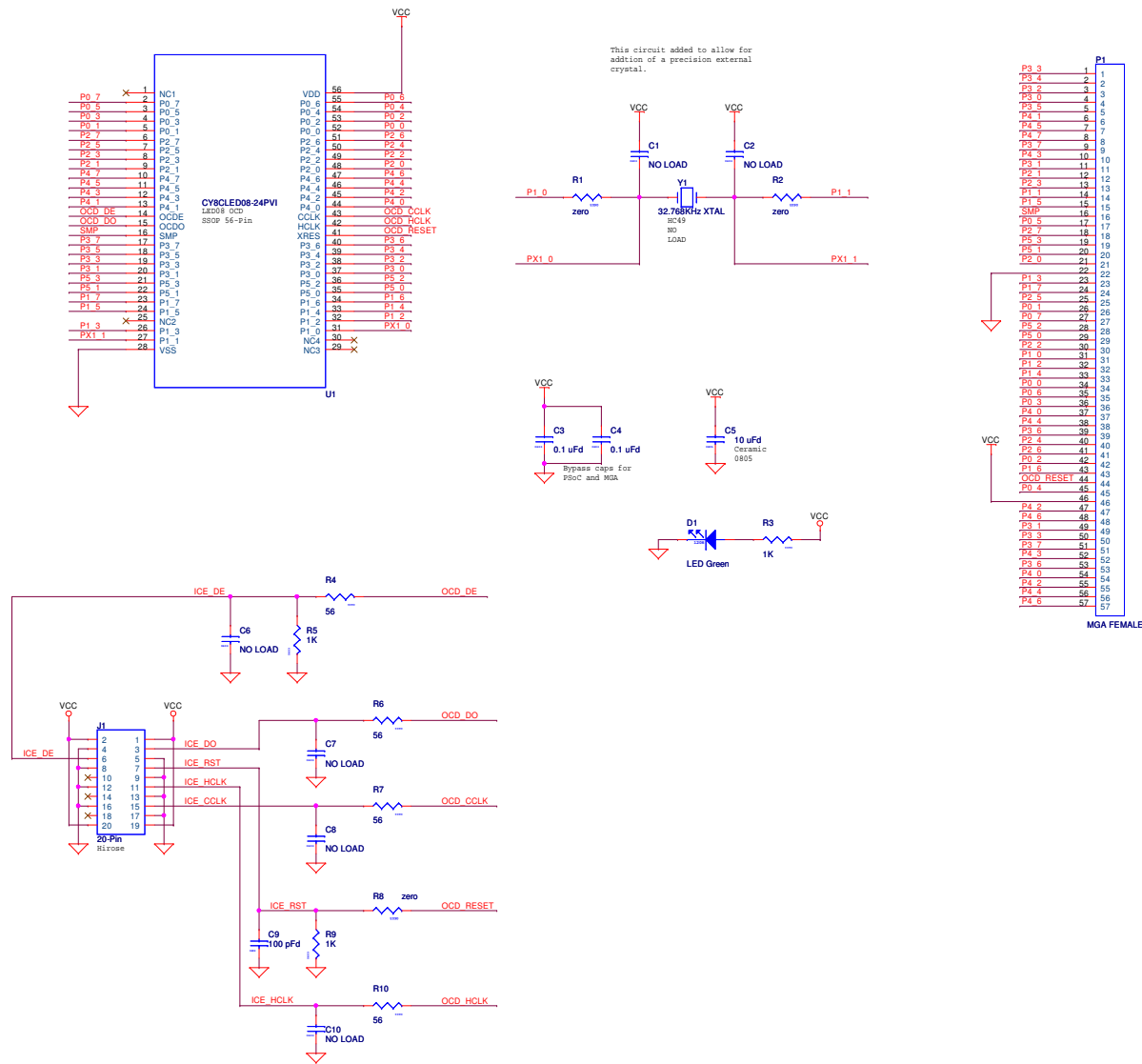


### LED08 NON-QFN POD Schematic



PCB: PDCR-9350 \*\*  
 PCA: 121R-35001 \*\*

CYPRESS SEMICONDUCTOR © 2005			
Title	LED08 NON-QFN POD		
Size	Document Number	Rev	
C	REF-14805	0.1	
Date:	Wednesday, March 05, 2008	Sheet	1 of 1