

REVISIONS

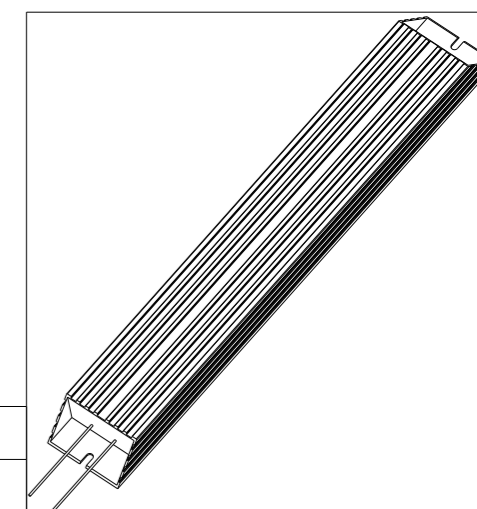
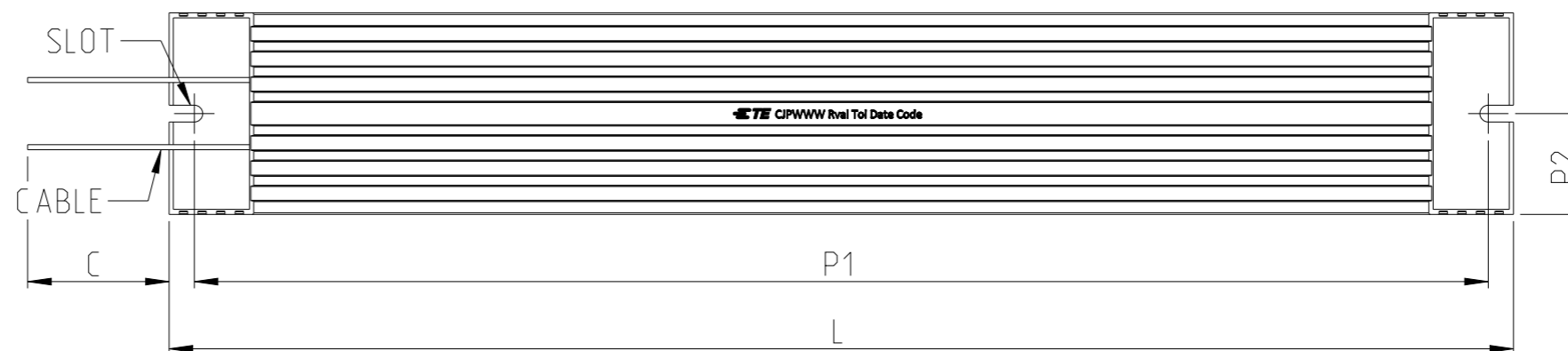
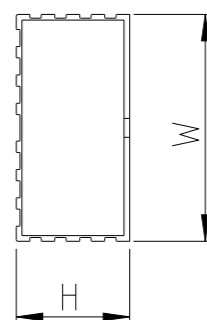
NOTE:

- 1 MOUNTING: 2x SLOT 5x10mm
- 2 TERMINATION CABLES: UL APPROVED FEP CABLES FOR THE TERMINATIONS, BASED ON THE RESISTOR CURRENT RATING (SEE CHART BELOW) WITH E5 RING TERMINALS

CURRENT RATING	CABLE SIZE USED
≤15A	16 AWG
>15A & ≤25A	14 AWG
>25A & ≤35A	12 AWG

3 FOR FURTHER INFORMATION SEE DATA SHEET FOR CJP SERIES OF ALUMINIUM HOUSED RESISTOR

P	LTR	DESCRIPTION	DATE	DWN	APVD
	A	INITIAL DRAWING RELEASE	27MAY2022	KS	AP
	A1	NEW PN ADDED TO SCHEDULE	06OCT2022	DM	AP



PART NUMBER	L	W	H	C	P1	P2
CJP800	400	60	30	290	385	30

THIS DRAWING IS A CONTROLLED DOCUMENT.

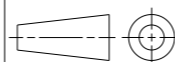
DWN 27MAY2022
KARTHIK S
CHK 27MAY2022
ALLAN P
APVD 27MAY2022
ALLAN P
PRODUCT SPEC



SCALE 1:5
TE Connectivity

DIMENSIONS:
mm

TOLERANCES UNLESS OTHERWISE SPECIFIED:



0 PLC	±
1 PLC	±0.5
2 PLC	±0.13
3 PLC	±0.013
4 PLC	±0.0001
ANGLES	±

NAME
ALUMINIUM ENCLOSED RESISTOR
CJP800 SERIES

MATERIAL

FINISH

WEIGHT

APPLICATION SPEC	SIZE	CAGE CODE	DRAWING NO	RESTRICTED TO
-	A3	00779	C=2176512	-

CUSTOMER DRAWING SCALE 1:2 SHEET 1 OF 2 REV A1

REVISIONS

P	LTR	DESCRIPTION	DATE	DWN	APVD
	-	SEE SHEET 1	-	-	-

SCHEDULE

TCPN	PRODUCT NUMBER	MATERIAL DESCRIPTION	PART STATUS
2176512-1	C JP800J2R2J	C JP 800W 2R2 5% LEAD	PRODUCTION
2176512-2	C JP800J2R7J	C JP 800W 2R7 5% LEAD	PRODUCTION
2176512-3	C JP800J3R3J	C JP 800W 3R3 5% LEAD	PRODUCTION
2176512-4	C JP800J3R9J	C JP 800W 3R9 5% LEAD	PRODUCTION
2176512-5	C JP800J4R7J	C JP 800W 4R7 5% LEAD	PRODUCTION
2176512-6	C JP800J5R6J	C JP 800W 5R6 5% LEAD	PRODUCTION
2176512-7	C JP800J6R8J	C JP 800W 6R8 5% LEAD	PRODUCTION
2176512-8	C JP800J8R2J	C JP 800W 8R2 5% LEAD	PRODUCTION
2176512-9	C JP800J10RJ	C JP 800W 10R 5% LEAD	PRODUCTION
1-2176512-0	C JP800J12RJ	C JP 800W 12R 5% LEAD	PRODUCTION
1-2176512-1	C JP800J15RJ	C JP 800W 15R 5% LEAD	PRODUCTION
1-2176512-2	C JP800J18RJ	C JP 800W 18R 5% LEAD	PRODUCTION
1-2176512-3	C JP800J22RJ	C JP 800W 22R 5% LEAD	PRODUCTION
1-2176512-4	C JP800J27RJ	C JP 800W 27R 5% LEAD	PRODUCTION
1-2176512-5	C JP800J33RJ	C JP 800W 33R 5% LEAD	PRODUCTION
1-2176512-6	C JP800J39RJ	C JP 800W 39R 5% LEAD	PRODUCTION
1-2176512-7	C JP800J47RJ	C JP 800W 47R 5% LEAD	PRODUCTION
1-2176512-8	C JP800J56RJ	C JP 800W 56R 5% LEAD	PRODUCTION
1-2176512-9	C JP800J68RJ	C JP 800W 68R 5% LEAD	PRODUCTION
2-2176512-0	C JP800J82RJ	C JP 800W 82R 5% LEAD	PRODUCTION

SCHEDULE

TCPN	PRODUCT NUMBER	MATERIAL DESCRIPTION	PART STATUS
2-2176512-1	C JP800J100RJ	C JP 800W 100R 5% LEAD	PRODUCTION
2-2176512-2	C JP800J120RJ	C JP 800W 120R 5% LEAD	PRODUCTION
2-2176512-3	C JP800J150RJ	C JP 800W 150R 5% LEAD	PRODUCTION
2-2176512-4	C JP800J180RJ	C JP 800W 180R 5% LEAD	PRODUCTION
2-2176512-5	C JP800J220RJ	C JP 800W 220R 5% LEAD	PRODUCTION
2-2176512-6	C JP800J270RJ	C JP 800W 270R 5% LEAD	PRODUCTION
2-2176512-7	C JP800J330RJ	C JP 800W 330R 5% LEAD	PRODUCTION
2-2176512-8	C JP800J390RJ	C JP 800W 390R 5% LEAD	PRODUCTION
2-2176512-9	C JP800J470RJ	C JP 800W 470R 5% LEAD	PRODUCTION
3-2176512-0	C JP800J560RJ	C JP 800W 560R 5% LEAD	PRODUCTION
3-2176512-1	C JP800J680RJ	C JP 800W 680R 5% LEAD	PRODUCTION
3-2176512-2	C JP800J820RJ	C JP 800W 820R 5% LEAD	PRODUCTION
3-2176512-3	C JP800J1K0J	C JP 800W 1K0 5% LEAD	PRODUCTION
3-2176512-4	C JP800J1K2J	C JP 800W 1K2 5% LEAD	PRODUCTION
3-2176512-5	C JP800J1K5J	C JP 800W 1K5 5% LEAD	PRODUCTION
3-2176512-6	C JP800J1K8J	C JP 800W 1K8 5% LEAD	PRODUCTION
3-2176512-7	C JP800J1R0J	C JP 800W 1R0 5% LEAD	PRODUCTION

THIS DRAWING IS A CONTROLLED DOCUMENT.

DWN KARTHIK S 27MAY2022

CHK ALLAN P 27MAY2022

APVD ALLAN P 27MAY2022

PRODUCT SPEC

APPLICATION SPEC

WEIGHT

CUSTOMER DRAWING



TE Connectivity

NAME ALUMINIUM ENCLOSED RESISTOR CJP800 SERIES

SIZE CAGE CODE DRAWING NO RESTRICTED TO

A3 00779 C=2176512

SCALE 1:1 SHEET 2 OF 2 REV A1

DIMENSIONS: mm



TOLERANCES UNLESS OTHERWISE SPECIFIED:

- 0 PLC ±
- 1 PLC ±0.5
- 2 PLC ±0.13
- 3 PLC ±0.013
- 4 PLC ±0.0001
- ANGLES ±

MATERIAL

FINISH