

6

5

4

3

2

1

APPROVED: _____

DATE: _____ TITLE: _____

CUSTOM CABLE ASSEMBLIES ARE NON-CANCELLABLE / NON-RETURNABLE

Rev	AWO #	Description	Date	Appr
-		RELEASED	11/16/18	

D

D

C

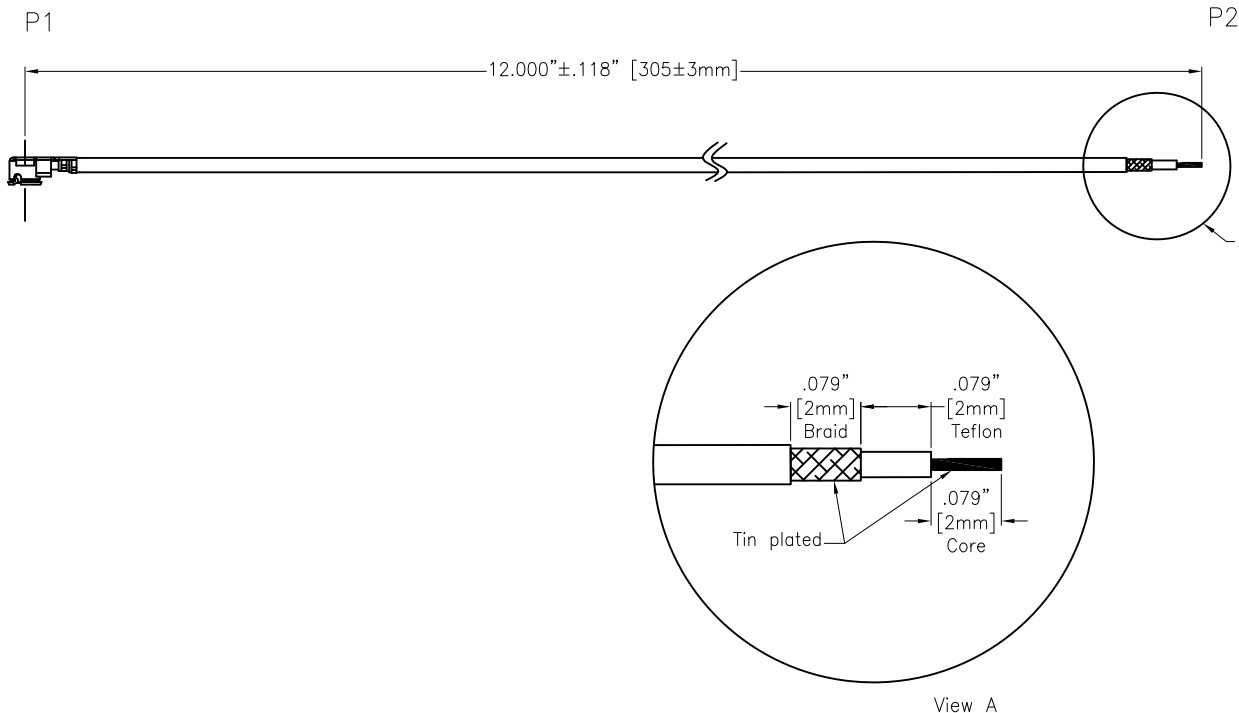
C

B

B

A

A



SPECIFICATIONS:

Connector:

P1 = I-PEX Connector, 50 Ohm, Gold plated

P2 = Stripped & Tinned

Cable:

ø1.13 Coaxial Cable, Color: Black

Electrical Test:

All Assemblies must be 100% Tested for Shorts, Open, Continuity, and Physical Appearance.

Environmental:

Lead free, RoHS compliant



UNLESS OTHERWISE SPECIFIED
 ALL DIMENSIONS ARE INCHES [MM]
 TOLERANCES: EXCEPT AS NOTED
 INCHES HOLES

.X ± .10	Ø.X ± .10
.XX ± .020	Ø.XX ± .015
.XXX ± .015	Ø.XXX ± .010

ADAM TECH
INTERCONNECTS

909 Rahway Avenue,
 Union, NJ 07083
 Phone: 908-687-5000
 Fax: 908-687-5710

TITLE
**CUSTOM ASSEMBLY, I-PEX CONNECTOR TO
 STRIPPED & TINNED, 1.13 COAXIAL CABLE**

APPROVALS		DATE
DRAWN	AY	11/16/18
CHECKED	AC	11/16/18
APPROVED		

SIZE X	PART NO. CA#DKCA1-152L0-10-12	REV. -
REF: S00291T	SCALE: NTS	SHEET 1 OF 1

6

5

4

3

2

1