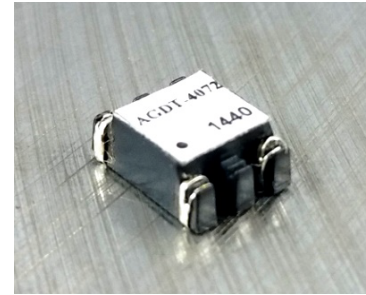




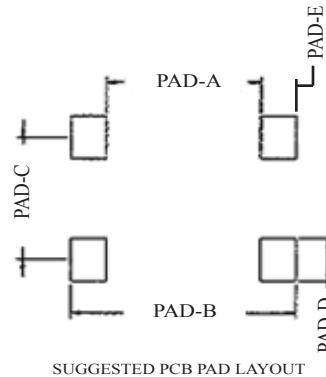
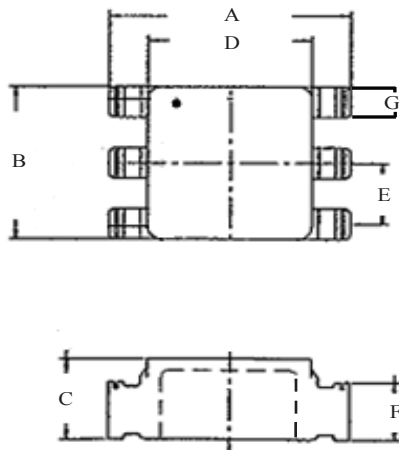
- 6 Pin Surface Mount
- XDSL / Gate and Drive transformer applications
- Industrial Operating Temperature range: -40°C to +85°C
- Reflow Condition: Maximum reflow temperature is 250°C/-5°C for 20-40 seconds (Refer to IPC/JEDEC J-STD-02C Standard)



Electrical Specification @ 25°C		
Turn Ratio @10KHz, 100mV (1 - 3):(6 - 4)	Inductance Lp @10KHz, 100mV (1 - 3):(6 - 4)	Leakage Inductance Ls @100KHz, 100mV (1 - 3), (6 - 4 Short)
1:1±2%	785µH Min.	0.46µH Max
DCR @10KHz, 100mV Pri (1 - 3)	DCR @10KHz, 100mV Sec (6 - 4)	HI-POT Pri - Sec 60Sec/1mA
0.6Ω Max	0.6Ω Max	1500VAC

All specifications subject to change without notice.

MECHANICAL



Unit : mm/inch

- A=8.64/0.340
- B=7.4 max/0.291max
- C=4.0max/0.157max
- D=5.86/0.231
- E=2.54/0.100
- F=2.6/0.102
- G=1.80/0.071
- PAD-A=5.60/0.220 typ
- PAD-B=8.40/0.331 typ
- PAD-C=5.08/0.200 typ
- PAD-D=2.20/0.087 typ
- PAD-E=1.40/0.055 typ

Unless otherwise specified, all tolerance are ± 0.25mm / 0.010

Marking :

AGDT-4072
● YYWW

SCHEMATICS

