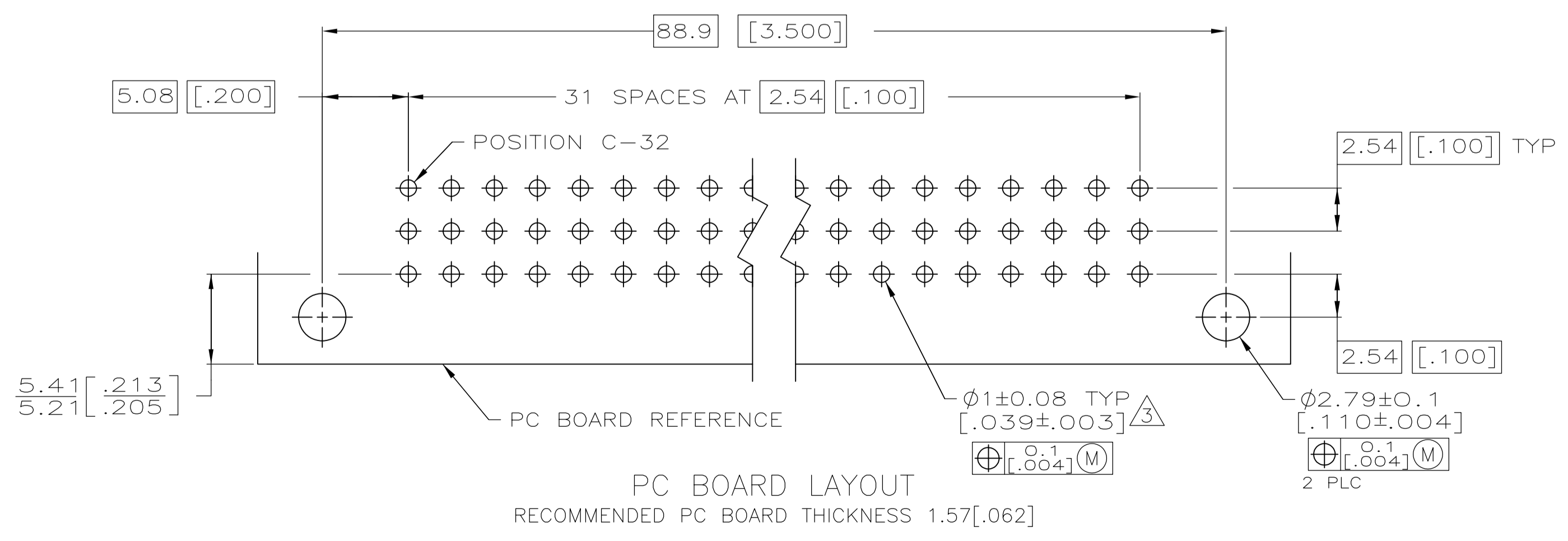
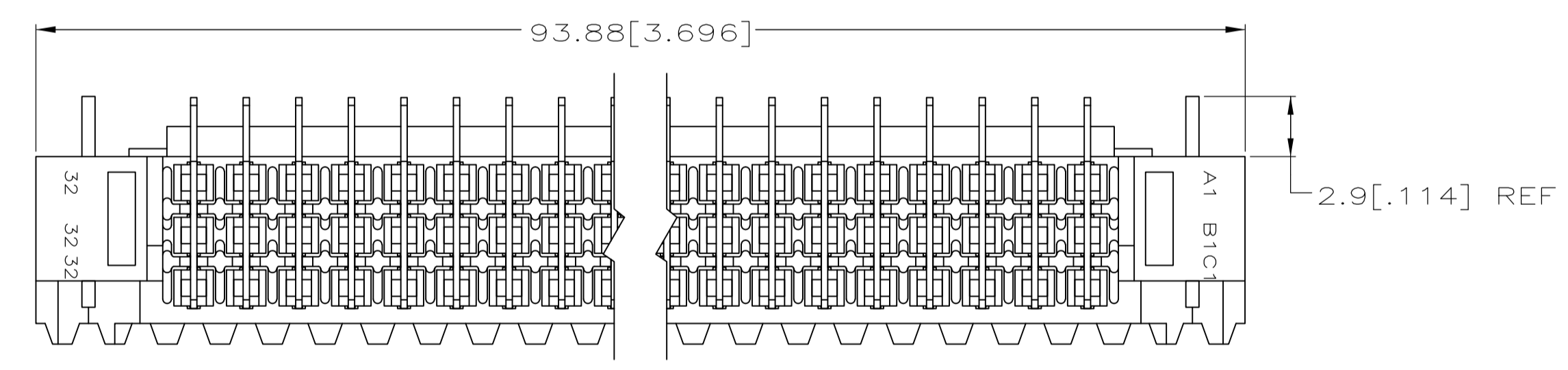
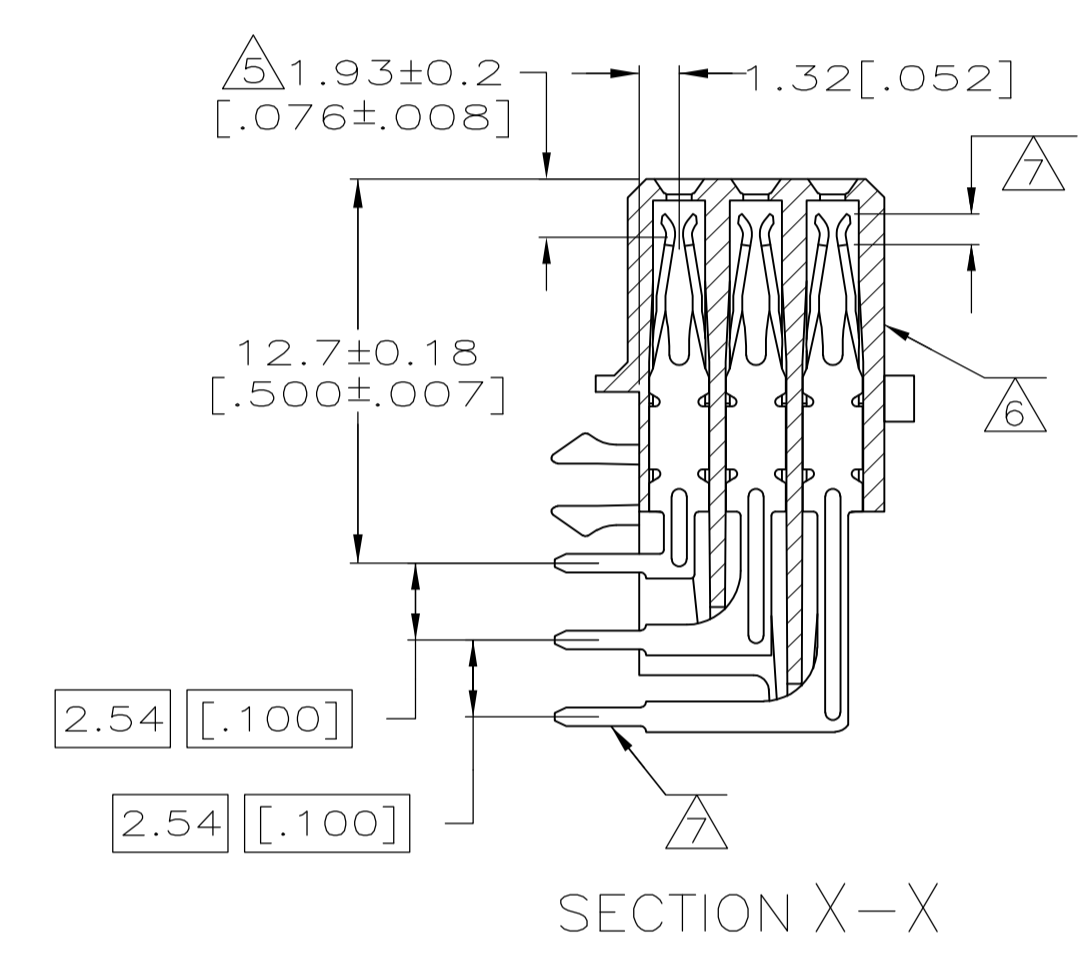
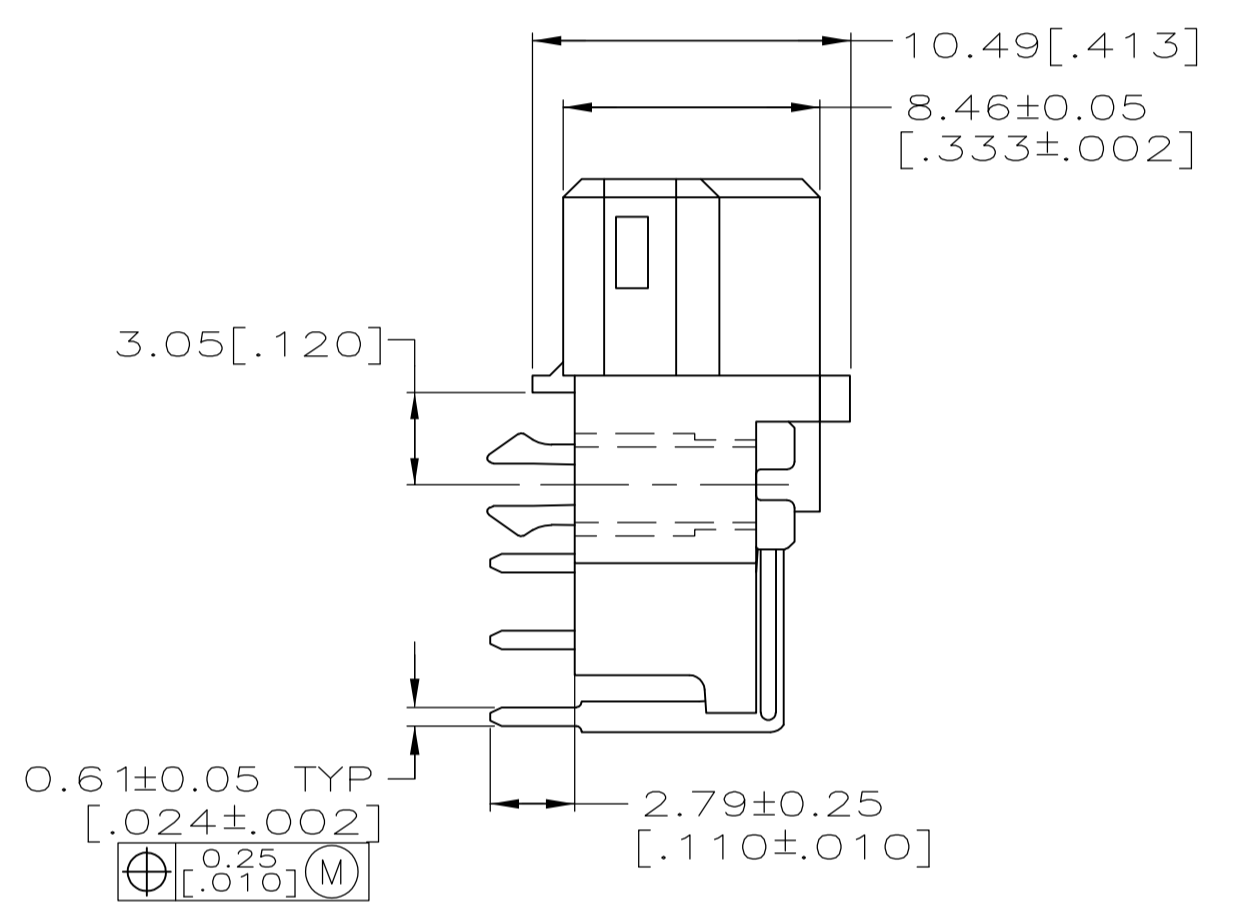
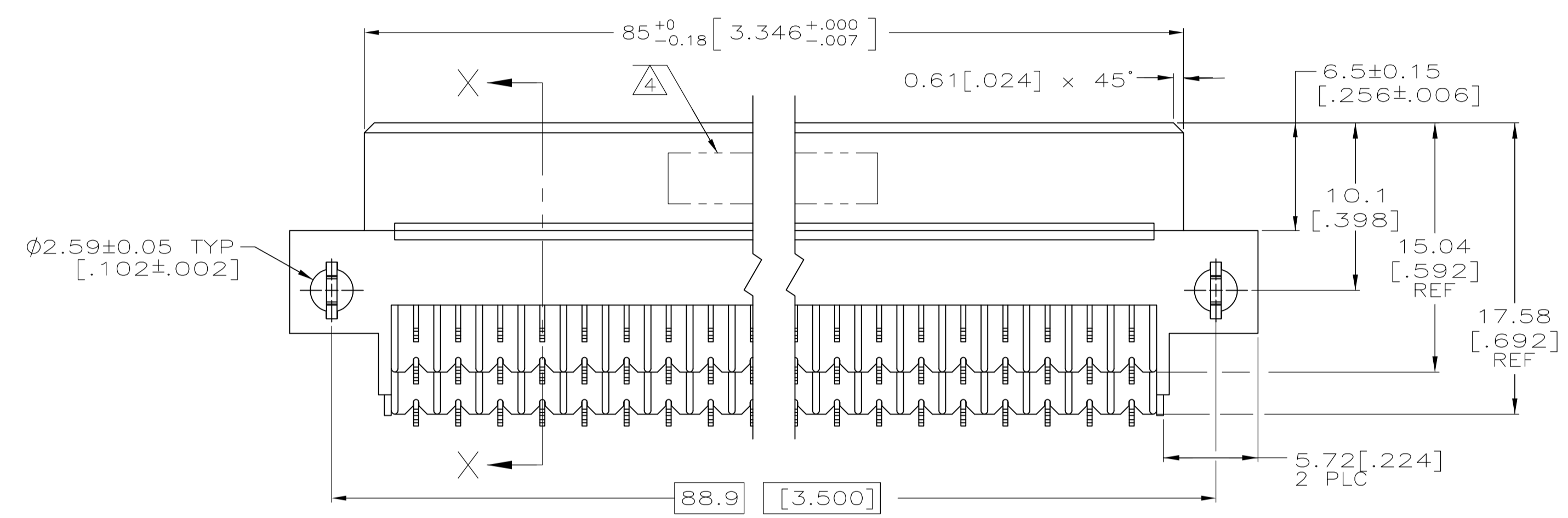
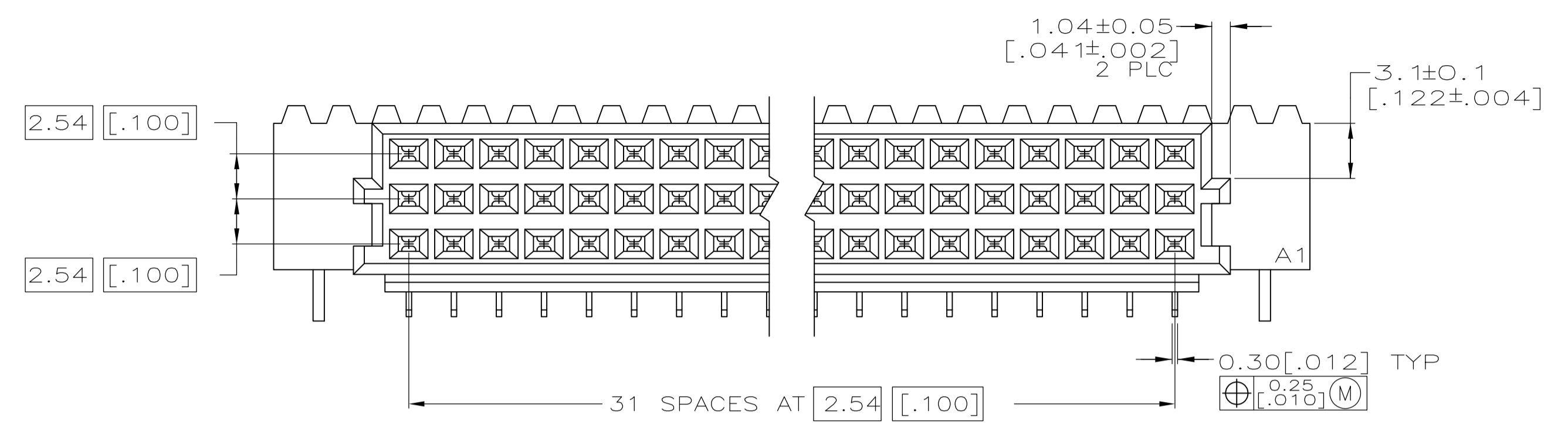


REVISIONS					
P	LTR	DESCRIPTION	DATE	DMN	APVD
B		REVISED PER ECO-16-012290	18AUG2016	SY	SY

- 1 HOUSING MATERIAL: GLASS-FILLED POLYMER.
- 2 CONTACT MATERIAL: COPPER ALLOY.
- 3 RECOMMENDED HOLE SIZE FOR MANUAL APPLICATION OF CONNECTOR ONTO PC BOARD.
- 4 PART NUMBER, DATE CODE IDENTIFICATION, CSA LOGO THIS APPROXIMATE AREA.
- 5 CONTACT POINT.
- 6 MARKING ON THIS SIDE.
- 7 CONTACT FINISH: CONFIRMS TO PERFORMANCE REQUIREMENT OF DIN 41612 CLASS 2 IN CONTACT AREA, 0.00127[.000050] NICKEL UNDERPLATE ALL OVER, TIN PLATE ON POSTS.



SUPERSEDED BY	FINISH	POSITIONS LOADED	ROWS LOADED	NO. OF LOADED POSITION	ASSY PART NUMBER
SUPERSEDED BY 5650895-5	1	X X X	96	7-5650895-5	
SUPERSEDED BY 5650895-4	1 THRU 32	X X X	96	7-5650895-4	
	1 THRU 32	X X X	96	5650895-5	
	1 THRU 32	X X X	96	5650895-4	

THIS DRAWING IS A CONTROLLED DOCUMENT.

DIMENSIONS: mm [INCHES]	TOLERANCES UNLESS OTHERWISE SPECIFIED:	DIN J. POLIGNONE 03JUN05	APVD A. SHARPE 03JUN05	NAME
0 PLC ± -	1 PLC ± -	2 PLC ± 0.13[.005]	3 PLC ± -	APPLICATION SPEC
4 PLC ± -	ANGLES ± -	SEE TABLE	WEIGHT 0.000000	SIZE CAGE CODE DRAWING NO
			A1 00779	RESTRICTED TO
			©=5650895	CUSTOMER DRAWING

STE TE Connectivity

ASSEMBLY, RECEPTACLE, EUROCARD, TYPE R  
96 POS. 2.79 SOLDER POSTS WITH BOARD LOCKS

SCALE 4:1 SHEET 1 OF 1 REV B