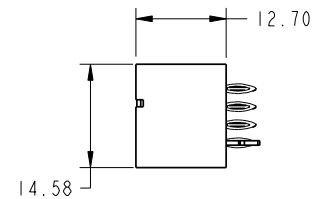
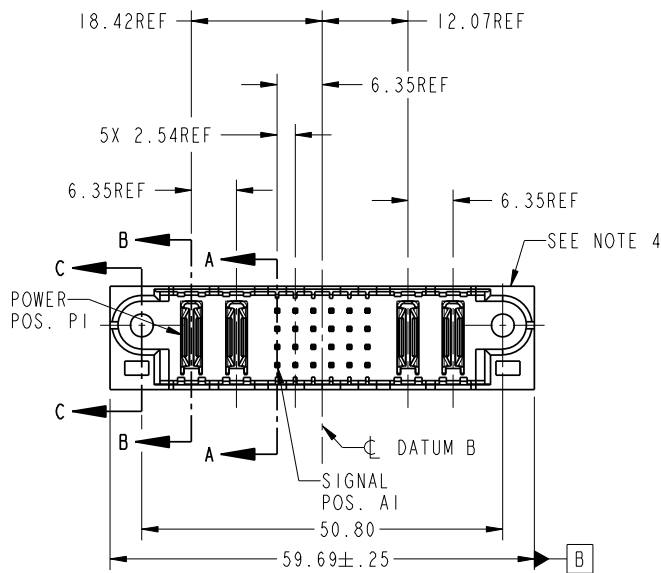


Tous droits strictement reserves. Reproduction ou communication a des tiers interdite sous quelque forme que ce soit sans autorisation écrite du propriétaire. Propriete de c FCI. Droits de reproduction FCI.



All rights strictly reserved. Reproduction or issue to third parties in any form whatever is not permitted without written authority from the proprietor. Property of FCI. Copyright FCI.

PRODUCT NO.	ROWS	POWER		SIGNAL						POWER		E2	
		E1	P1	P2	1	2	3	4	5	6	P3		P4
51952-116-- NOTE: 3	D C B A		PC	PC	G	G	G	G	G	G	PC	PC	
					K	K	K	K	K	K			



CODE	DIM "M" MATING LENGTH	CONTACT TYPE
PC	[N/A]	POWER
HA	[N/A]	HOLD-DOWN
K	[5.59]	SIGNAL
G	[6.86]	SIGNAL

mat'l code				SEE NOTE		tolerances unless otherwise specified		CUSTOMER		FCI	
ltr	ecn no.	dr	date	linear	0.X ±0.3	COPY		www.fciconnect.com		title	
A	DG07-0099	RYAN	03/22/07		0.XX ±0.13	projection		2P + 24S + 2P		VERTICAL PRESS-FIT HEADER	
B	DG07-0357	JULIA	09/10/07	angles	0.XXX ±0.051	MM		product family		PwrBlade	
				dr	0° ±2°	scale		size		code	
				enr	RYAN YUAN 03/22/07	1:1		dwg no		213	
				chr	RYAN YUAN 03/22/07			51952-116		sheet	
				appd	GRAY HSIEH 03/22/07			A		1 of 4	
					JOSEPH HSIA 03/22/07						
sheet index	revision	B	B	B	B						
	sheet	1	2	3	4						

cage code 22526

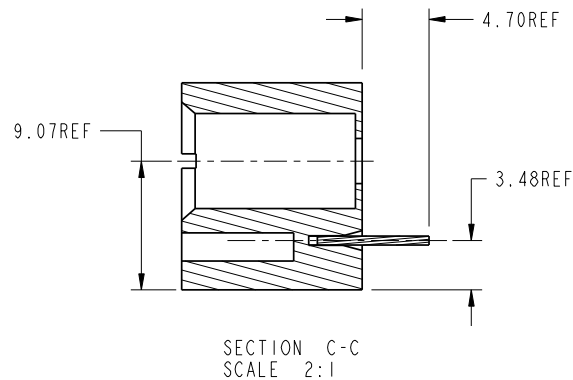
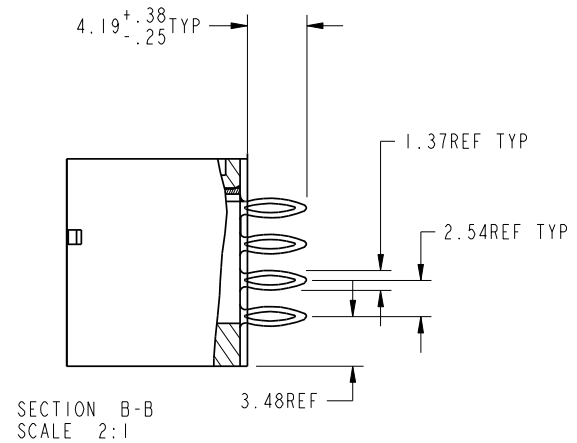
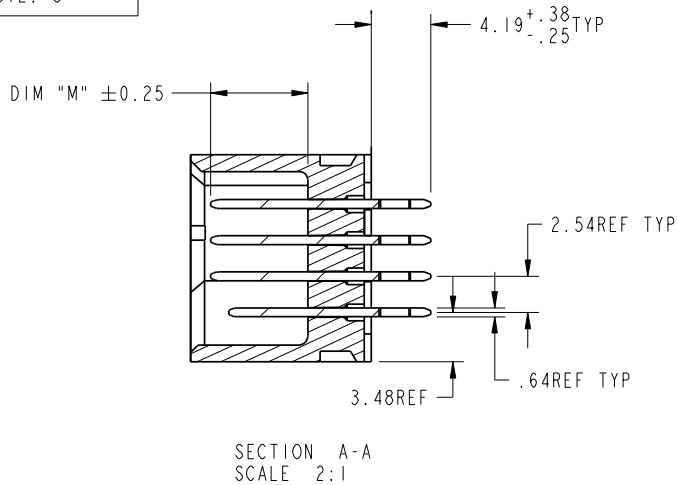
Pro/E

Tous droits strictement reserves. Reproduction ou communication a des tiers interdite sous quelque forme que ce soit sans autorisation ecrite du proprietaire. Propriete de c FCI. Droits de reproduction FCI.



All rights strictly reserved. Reproduction or issue to third parties in any form whatever is not permitted without written authority from the proprietor. Property of FCI. Copyright FCI.

PRODUCT NUMBER
51952-116--
NOTE: 3



mat'l code				SEE NOTE		tolerances unless otherwise specified		CUSTOMER		FCI www.fciconnect.com	
lfr	ecn no.	dr	date	linear	0.X ±0.3		COPY		projection	title	
B					0.XX ±0.13		MM			2P + 24S + 2P VERTICAL PRESS-FIT HEADER	
				angles	0° ±2°		scale		product family		
				dr	RYAN YUAN	03/22/07	1:1		PwrBlade		
				enrg	RYAN YUAN	03/22/07			code		
				chr	GRAY HSIEH	03/22/07			size		
				appd	JOSEPH HSIA	03/22/07			dwg no		
sheet index		revision sheet						A		51952-116	
										213	
										sheet	
										2	

cage code 22526

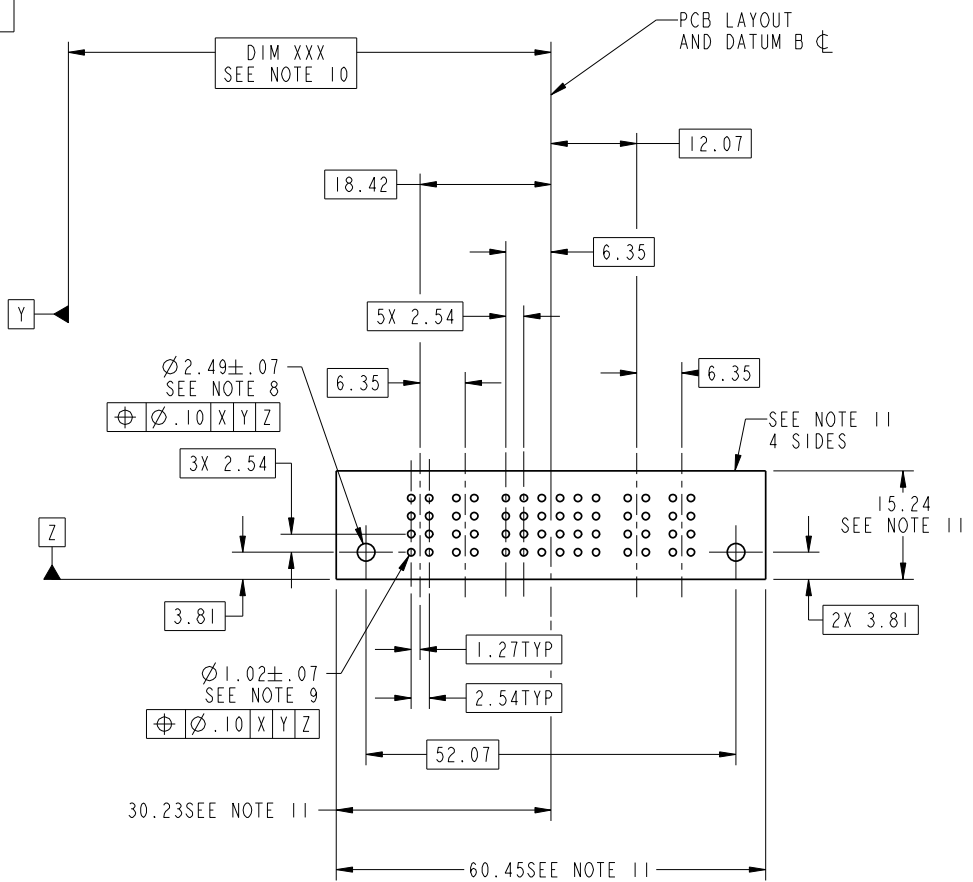
Pro/E

Tous droits strictement reserves. Reproduction ou communication a des tiers interdite sous quelque forme que ce soit sans autorisation écrite du propriétaire. Propriété de c FCI. Droits de reproduction FCI.



All rights strictly reserved. Reproduction or issue to third parties in any form whatever is not permitted without written authority from the proprietor. Property of FCI. Copyright FCI.

PRODUCT NUMBER
51952-116--
NOTE: 3



mat'l code				SEE NOTE	tolerances unless otherwise specified		CUSTOMER	FCI		www.fciconnect.com
lfr	ecr no.	dr	date	linear	0.X ±0.3	COPY	projection		title	
B					0.XX ±0.13				2P + 24S + 2P	
				angles	0.XXX ±0.051				VERTICAL PRESS-FIT HEADER	
				dr	0° ±2°		MM		product family	PwrBlade
				enrg	RYAN YUAN 03/22/07		scale		size	code
				chr	GRAY HSIEH 03/22/07		1:1		dwg no	213
				appd	JOSEPH HSIA 03/22/07				51952-116	sheet
sheet index	revision sheet									3

cage code 22526

Pro/E

Tous droits strictement reserves. Reproduction ou communication a des tiers interdite sous quelque forme que ce soit sans autorisation ecrite du proprietaire. Propriete de c FCI. Droits de reproduction FCI.



All rights strictly reserved. Reproduction or issue to third parties in any form whatever is not permitted without written authority from the proprietor. Property of FCI. Copyright FCI.

PRODUCT NUMBER
51952-116__
NOTE: 3

NOTES:

1. DIMENSIONS AND TOLERANCES ARE IN ACCORDANCE WITH ASME Y14.5M, 1994 UNLESS OTHERWISE SPECIFIED.

CONNECTOR NOTES:

- 2 HOUSING MATERIAL: UL 94 V-0 GLASS FILLED HIGH-TEMP THERMOPLASTIC
POWER CONTACT MATERIAL: COPPER ALLOY
SIGNAL PIN MATERIAL: COPPER ALLOY
 - 3. PLATING:
51952-116 ,51952-116LF PLATING SPEC. WAS SHOWN IN THE PRINT OF 10064183.
 - 4 MANUFACTURER'S NAME, P/N, AND DATE CODE TO APPEAR ON THIS SURFACE.
 - 5. PRODUCT SPECIFICATION GS-12-149.
APPLICATION SPECIFICATION BUS-20-067.
 - 6. PACKAGED IN TRAYS.
- PCB NOTES:
- 7. ALL HOLE DIAMETERS ARE FINISHED HOLE SIZE.
 - 8. MOUNTING HOLES, WHERE APPLICABLE, ARE UNPLATED.
 - 9 $\varnothing 1.151 \pm 0.025$ DRILLED HOLES PLATED WITH
0.008 MIN SnPb OR Sn OVER 0.03
TO 0.08 Cu PLATING TO ACHIEVE
 $\varnothing 1.02 \pm .07$ HOLE.
 - 10 "DIM XXX" TO BE DETERMINED BY THE CUSTOMER.
 - 11 CONNECTOR KEEP-OUT ZONE.
 - 12. FOR PRESS FIT APPLICATION USE FCI CAM TOOL 430169-XXX.

mat'l code				SEE NOTE		tolerances unless otherwise specified		CUSTOMER		FCI www.fciconnect.com	
lfr	ecr no.	dr	date	linear	0.X ±0.3	projection		title			
B					0.XX ±0.13			2P + 24S + 2P VERTICAL PRESS-FIT HEADER			
				angles	0° ±2°			product family		code	
				dr	RYAN YUAN 03/22/07	MM		PwrBlade		213	
				engr	RYAN YUAN 03/22/07	1:1		size		sheet	
				chr	GRAY HSIEH 03/22/07			A		4	
				appd	JOSEPH HSIA 03/22/07			51952-116			
sheet index		revision sheet									

cage code 22526

Pro/E