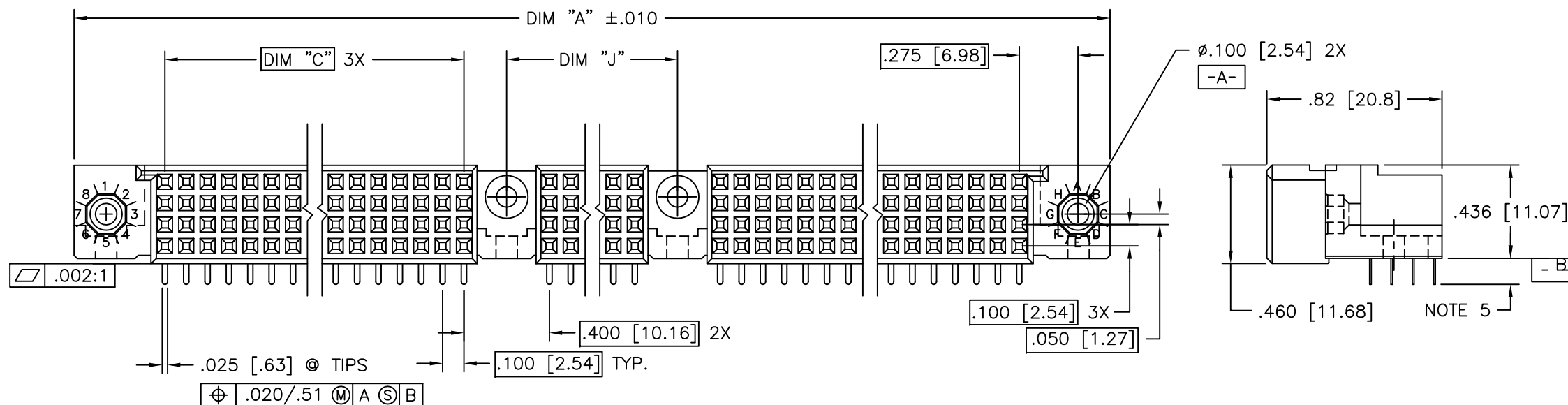
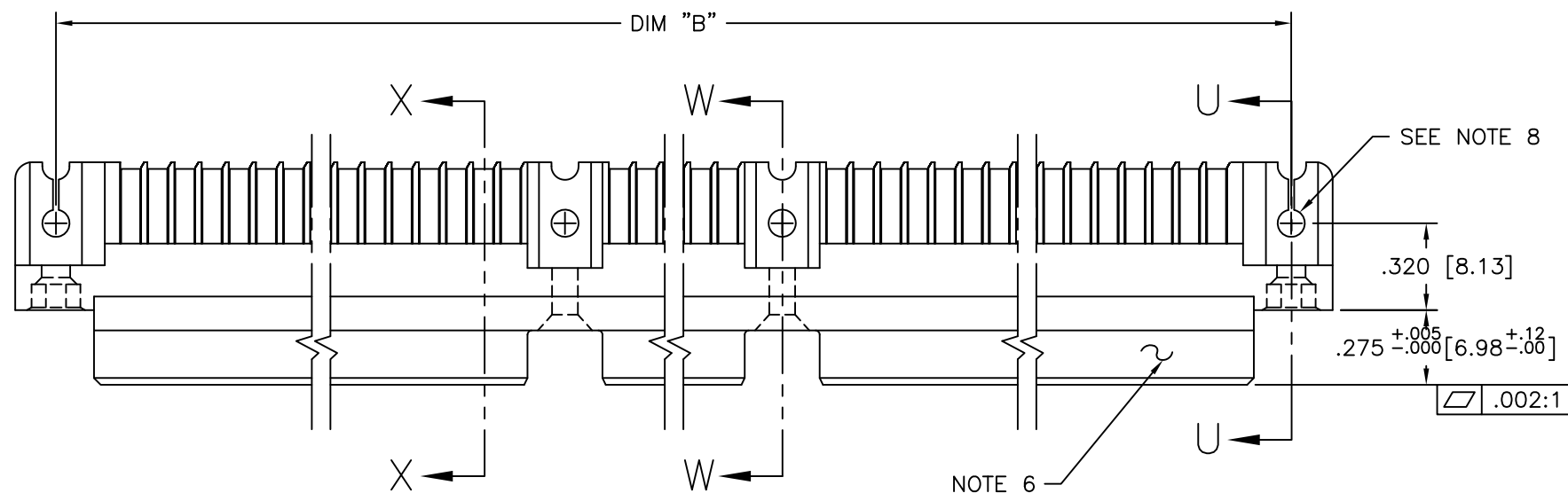


PRODUCT NUMBER

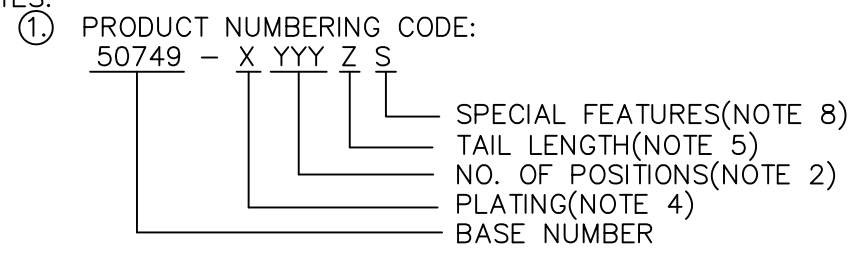
SEE NOTE 1



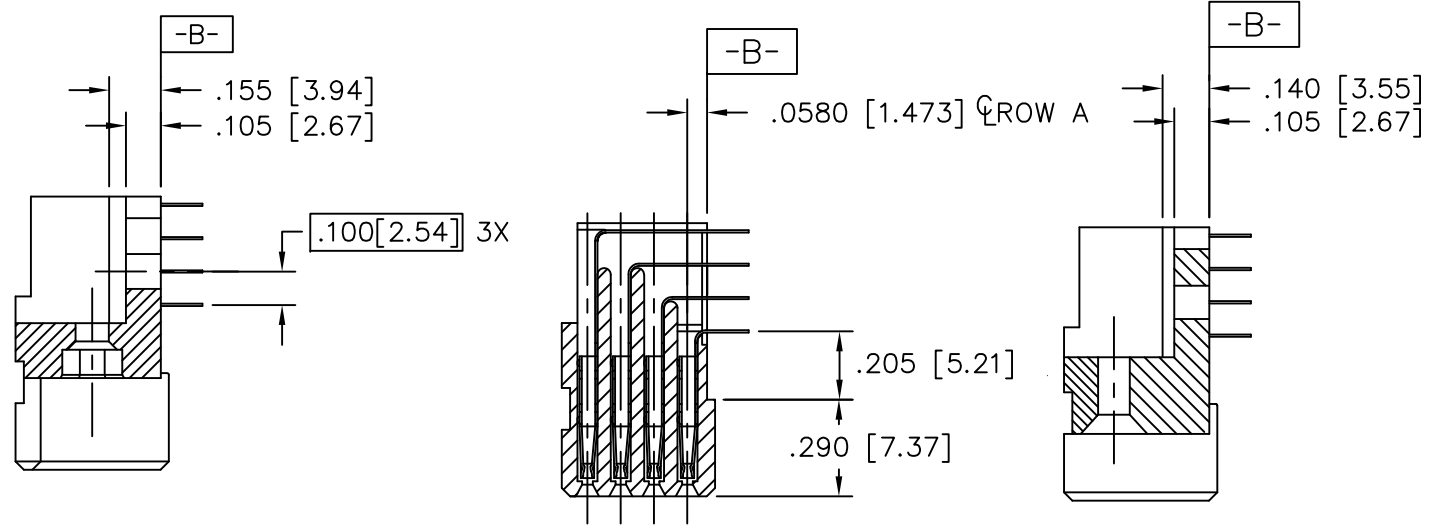
mat'l. code NOTE 3		surface ISO 1302 ✓		tolerance ISO 406 ISO 1101		projection INCH/MM		product family HPC	
ltr	ecn no	dr	date	tolerances unless otherwise specified		scale 1:1		title 4 ROW R/A RECEPTACLE SOLDER TAIL, 2 GUIDE PINS	
A	v40979	GAH	6/08/94	angles	linear			dwg no 50749	
B	v61331	MSC	9/05/96					sheet 1 of 3 size A3	
C	v00259	JWS	1/21/00	σ±2'				type Product Customer Drawing	
D	v01355	CGD	6/28/00	dr	G. PETERS	10/14/93			
E	M06-0261	AEA	5/10/06	enr	S. CLARK	10/14/93			
F	ELX-I-26921	MJA	05/05/17	chr	M JACOB	05/05/17			
				appd	BIJU K PAUL	05/05/17			
sheet	revision	F	F	E					
index	sheet	1	2	3					

PRODUCT NUMBER	DIM.	LENGTH FORMULAS
SEE NOTE 1	DIM A	$.100/2.54 \times \text{NO. OF COLUMNS} + 1.35/34.3$
	DIM B	$.100/2.54 \times \text{NO. OF COLUMNS} + 1.050/26.67$
	DIM C	$.100/2.54 \times \text{NO. OF COLUMNS DIVIDED BY 3} - .100/2.54$
	DIM J	$.100/2.54 \times \text{NO. OF COLUMNS DIVIDED BY 3} + .300/7.62$

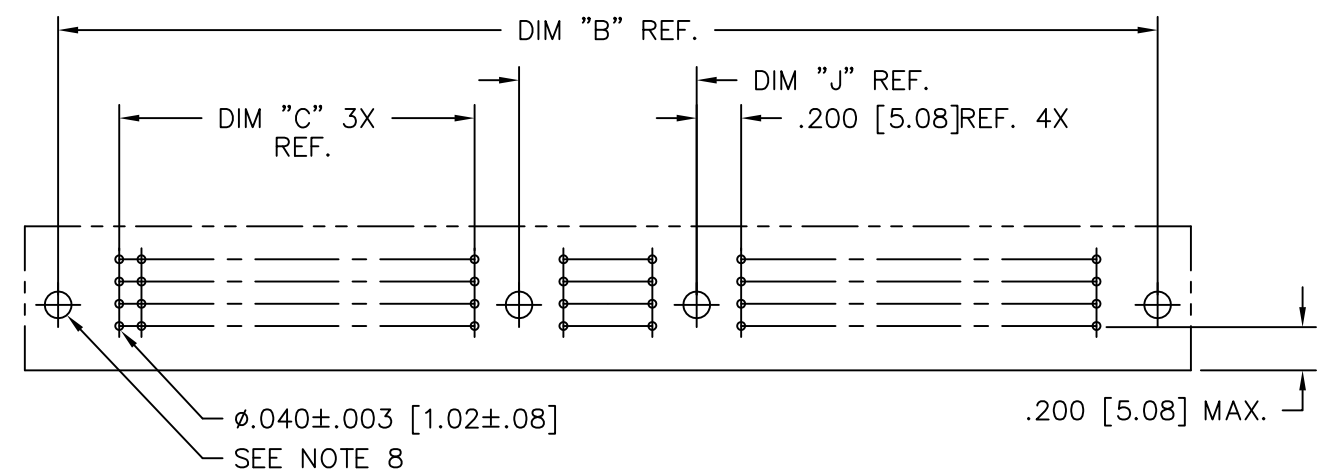
NOTES:



- ① THIS PRODUCT IS CONFIGURED IN SIZES OF 30 THRU 150 COLUMNS IN INCREMENTS OF THREE. i.e.: 30,33,36,39.....147,150.
- ② HOUSING MATERIAL: GLASS AND MINERAL FILLED HIGH TEMP. THERMOPLASTIC. FLAME RETARDANT PER UL94V-0. COLOR: BLACK. CONTACT MATERIAL: BeCu
- ③ PLATING CONTACT AREA OPTIONS:
 1 = 30u"/.76u GOLD
 3 = 50u"/1.27u GOLD
 5 = 30u"/.76u GXT
 ALL SOLDER TAILS TIN/LEAD
- ④ TAIL LENGTH OPTIONS:
 E = .125±.010 / 3.18±.25
 F = .145±.010 / 3.68±.25
 H = .180±.010 / 4.57±.25
- ⑤ MANUFACTURES NAME, PART NUMBER AND LOT CODE TO APPEAR ON THIS SURFACE PER BUS-12-108.
- 7. FOR DOCUMENTATION MENU, SEE SPEC. BUS-01-057.
- ⑧ SPECIAL FEATURES: (SEE SHEET 3)
 - = IF CODE IS OMITTED FROM PRODUCT NO.; CONNECTOR IS PROVIDED AS SHOWN, NO SPECIAL FEATURES ARE SELECTED. FOR P.C.B. ATTACHMENT IN A .120 [3.05] MOUNTING HOLE.
 "A" = IF SPECIFIED, PRE-INSTALLED CLAW FOR P.C.B. ATTACHMENT IN A ϕ .100 MOUNTING HOLE. (AVAILABLE IN "E" TAIL LENGTH ONLY).
 "B" = IF SPECIFIED, PRE-INSTALLED CLAW FOR P.C.B. ATTACHMENT IN A ϕ .120 MOUNTING HOLE.
 "C" = IF SPECIFIED, MOLDED GUIDE PINS w/CLAW FOR P.C.B. ATTACHMENT IN A ϕ .120 MOUNTING HOLE.
- ⑨ CLAW DIMENSION DETERMINED BY P.C.B. HOLE DIAMETER.



SECTION U-U NO SPECIAL FEATURE SECTION X-X NO SPECIAL FEATURE SECTION W-W NO SPECIAL FEATURE



RECOMMENDED PCB LAYOUT
(ALL HOLES LOCATED ON .100 [2.54] GRID UNLESS OTHERWISE SPECIFIED)

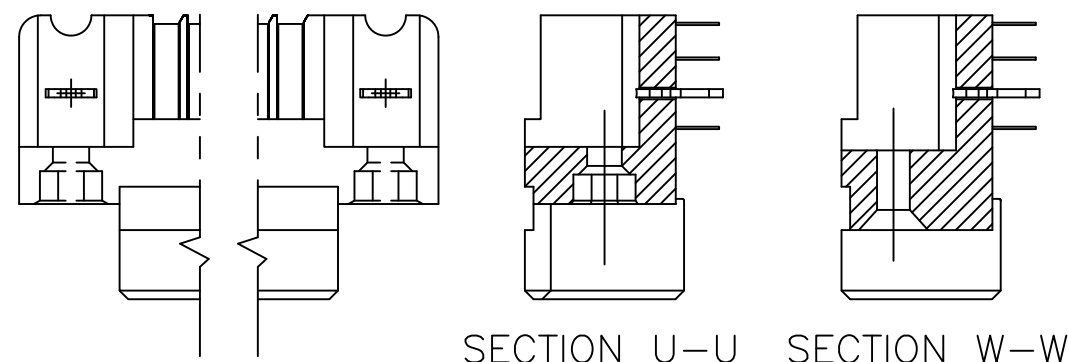
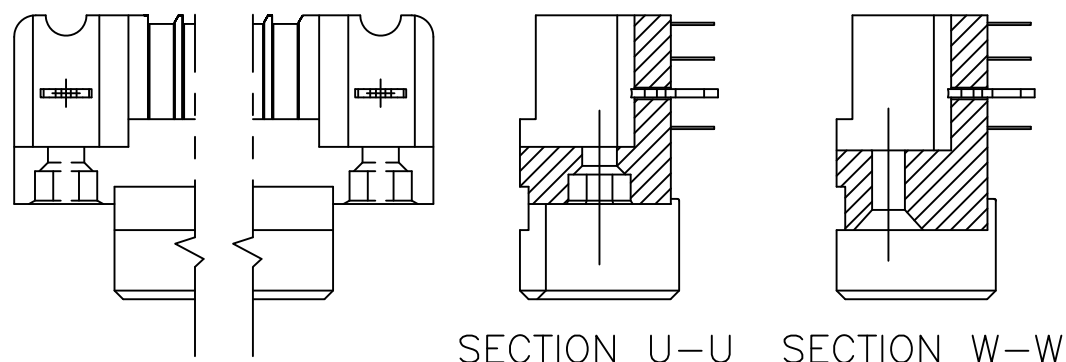
mat'l. code		surface		tolerance		projection		product family		
-		ISO 1302 ✓		ISO 406 ISO 1101				HPC		
ltr	ecn no	dr	date	tolerances unless otherwise specified		INCH/MM		title		
F				angles	linear			4 ROW R/A RECEPTACLE SOLDER TAIL, 2 GUIDE PINS		
				$\sigma \pm 2'$		scale 1:1		dwg no sheet 2 of 3 size		
				dr	G. PETERS	10/14/93			50749 A3	
				engr	S. CLARK	10/14/93				
				chr	M JACOB	05/05/17				
				appd	BIJU K PAUL	05/05/17				
sheet index		revision sheet		type		Product Customer Drawing				

PRODUCT NUMBER

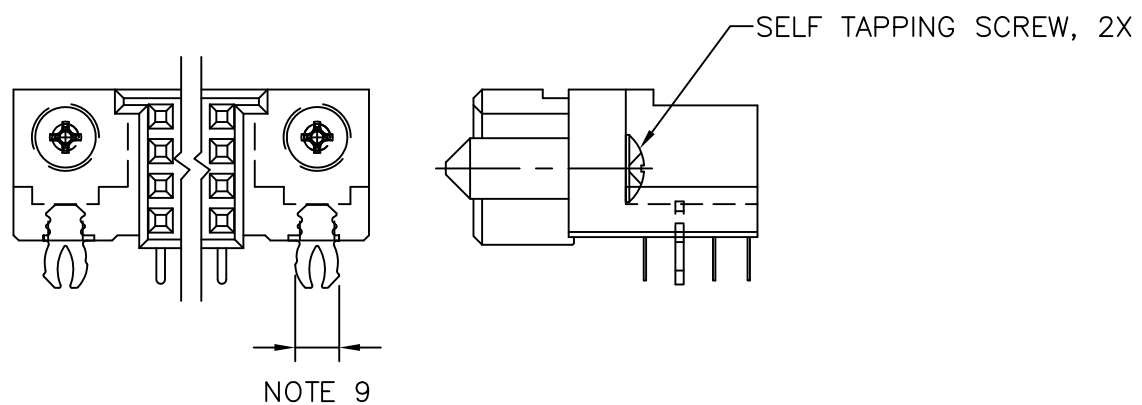
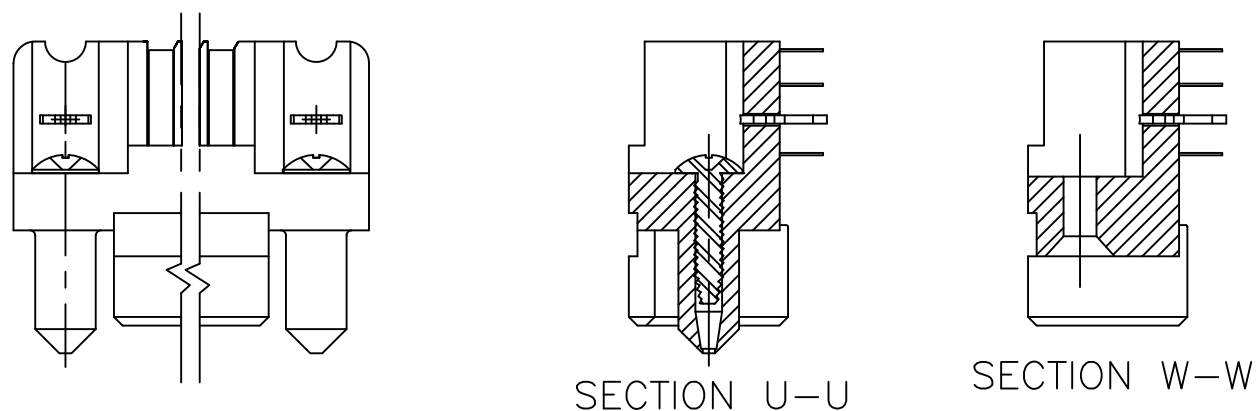
SEE NOTE 1

SPECIAL FEATURE OPTION A

SPECIAL FEATURE OPTION B



SPECIAL FEATURE OPTION C



mat'l. code		surface		tolerance		projection		product family	
-		ISO 1302 ✓		ISO 406 ISO 1101				HPC	
ltr	ecn no	dr	date	tolerances unless otherwise specified			title		
E				angles	linear	.xx ±.01/.3	INCH/MM		4 ROW R/A RECEPTACLE
						.xxx ±.005/.13	scale N.T.S.		SOLDER TAIL, 2 GUIDE PINS
				σ±2'		.xxx ±.0020/.051			
		dr	G. PETERS	10/14/93			Amphenol FCI		dwg no
		enr	S. CLARK	10/14/93					sheet 3 of 3
		chr	S. CLARK	10/18/93					size
		appd	S. CLARK	10/18/93					A3
sheet index		revision sheet						type	
								Product Customer Drawing	