

- 注記:  
NOTES:
- 材料及び仕上げ(めっき仕様): TABLE 1, TABLE2 参照  
MATERIAL AND FINISHES (PLATING SPECIFICATION): SEE TABLE 1, TABLE2.
  - 製品仕様書、コネクタ取扱説明書、適合嵌合相手、適合リテーナーはSHEET 4をご参照下さい。  
PLEASE REFER TO SHEET 4 FOR PRODUCT SPECIFICATION, APPLICATION SPECIFICATION, MATE WITH AND APPLICABLE RETAINER.
  - 端子テール部及びネイルの平坦度: 0.12 MAXIMUM  
TAIL AND NAIL COPLANARITY TO BE 0.12 MAXIMUM
  - 極数 / 2 = 偶数に適合  
APPLY TO CIRCUIT SIZE / 2 = EVEN.
  - 発注番号: SHEET 4 参照  
ORDER NUMBER: PLEASE REFER TO SHEET 4

505448\*\*7\*

極数  
CIRCUIT SIZE

| NO. | ハウジングカラー<br>HOUSING COLOR     |
|-----|-------------------------------|
| 0   | ナチュラル(ベージュ)<br>NATURAL(BEIGE) |
| 1   | 黒<br>BLACK                    |
| 2   | 赤<br>RED                      |
| 4   | 青<br>BLUE                     |
| 6   | 緑<br>GREEN                    |

|       |       |       |       |                    |
|-------|-------|-------|-------|--------------------|
| 29.4  | 26.25 | 25    | 30.85 | 42                 |
| 28.15 | 25    | 23.75 | 29.6  | 40                 |
| 26.9  | 23.75 | 22.5  | 28.35 | 38                 |
| 25.65 | 22.5  | 21.25 | 27.1  | 36                 |
| 24.4  | 21.25 | 20    | 25.85 | 34                 |
| 23.15 | 20    | 18.75 | 24.6  | 32                 |
| 21.9  | 18.75 | 17.5  | 23.35 | 30                 |
| 20.65 | 17.5  | 16.25 | 22.1  | 28                 |
| 19.4  | 16.25 | 15    | 20.85 | 26                 |
| 18.15 | 15    | 13.75 | 19.6  | 24                 |
| 16.9  | 13.75 | 12.5  | 18.35 | 22                 |
| 15.65 | 12.5  | 11.25 | 17.1  | 20                 |
| 14.4  | 11.25 | 10    | 15.85 | 18                 |
| 13.15 | 10    | 8.75  | 14.6  | 16                 |
| 11.9  | 8.75  | 7.5   | 13.35 | 14                 |
| 10.65 | 7.5   | 6.25  | 12.1  | 12                 |
| 9.4   | 6.25  | 5     | 10.85 | 10                 |
| 8.15  | 5     | 3.75  | 9.6   | 8                  |
| D     | C     | B     | A     | 極数<br>CIRCUIT SIZE |

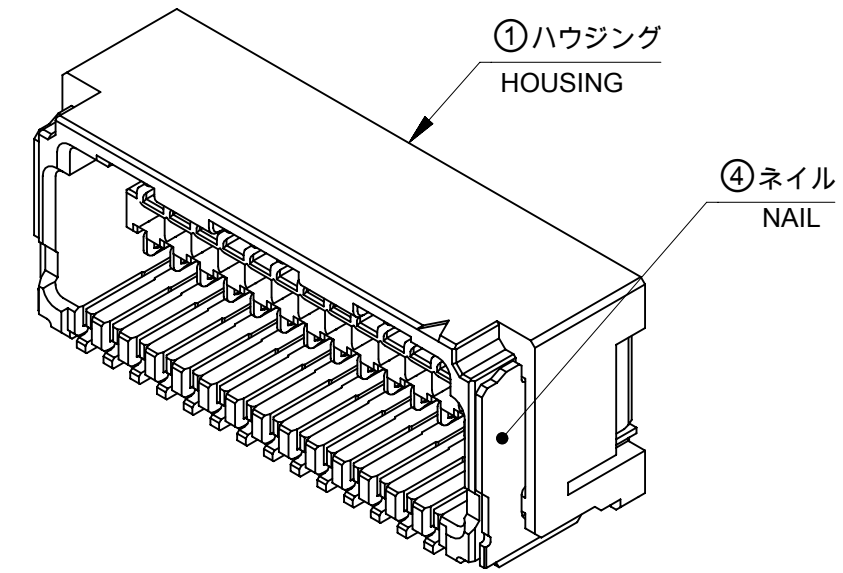
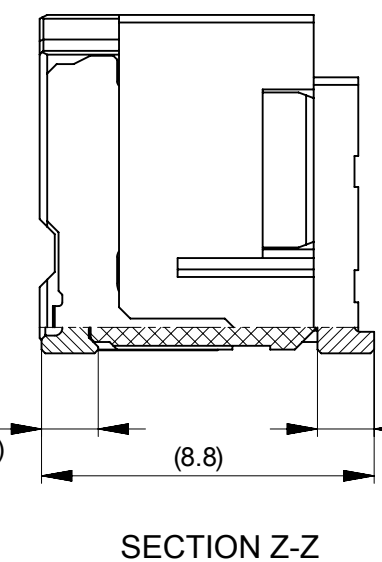
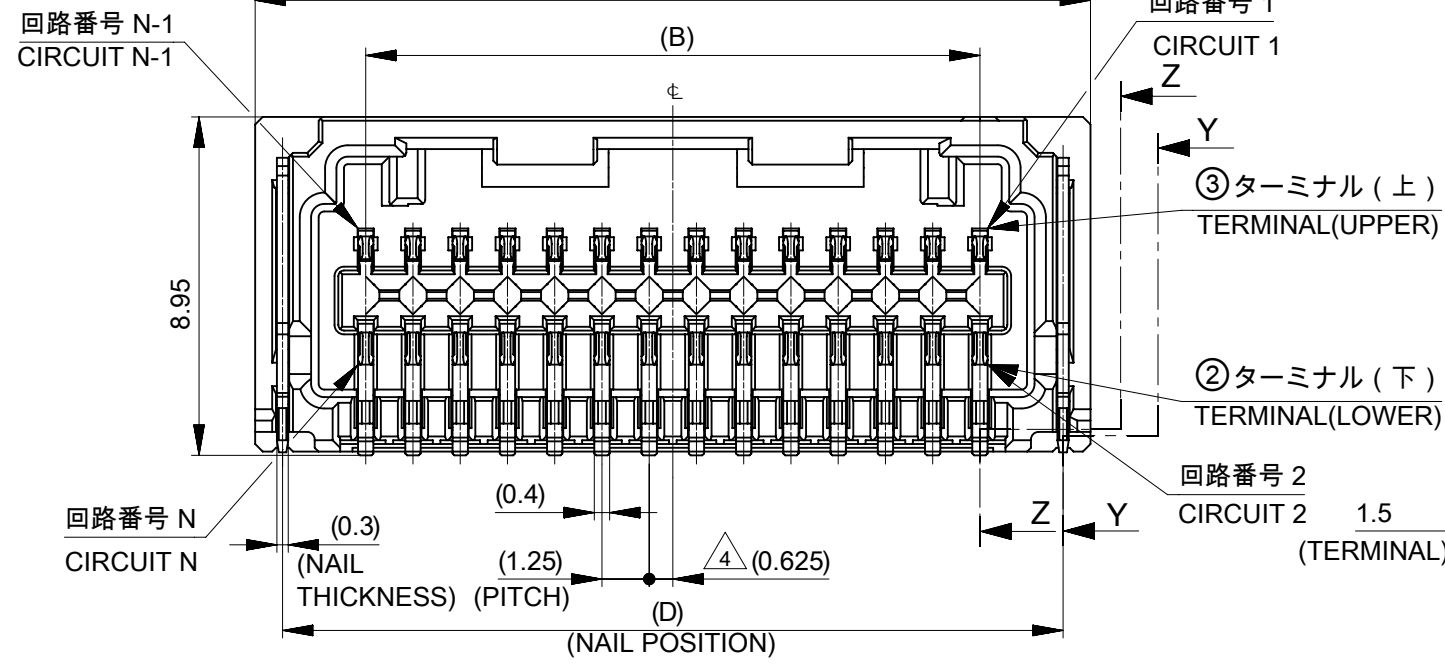
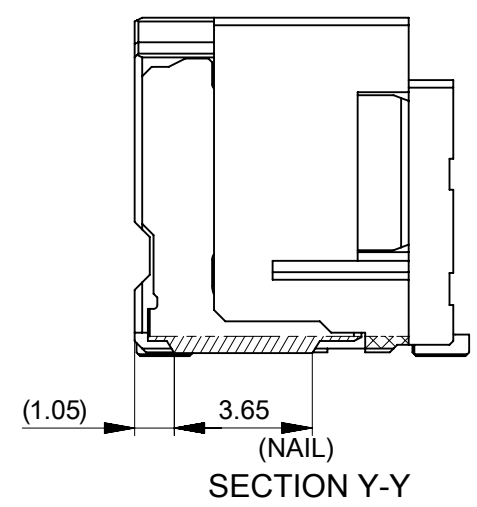
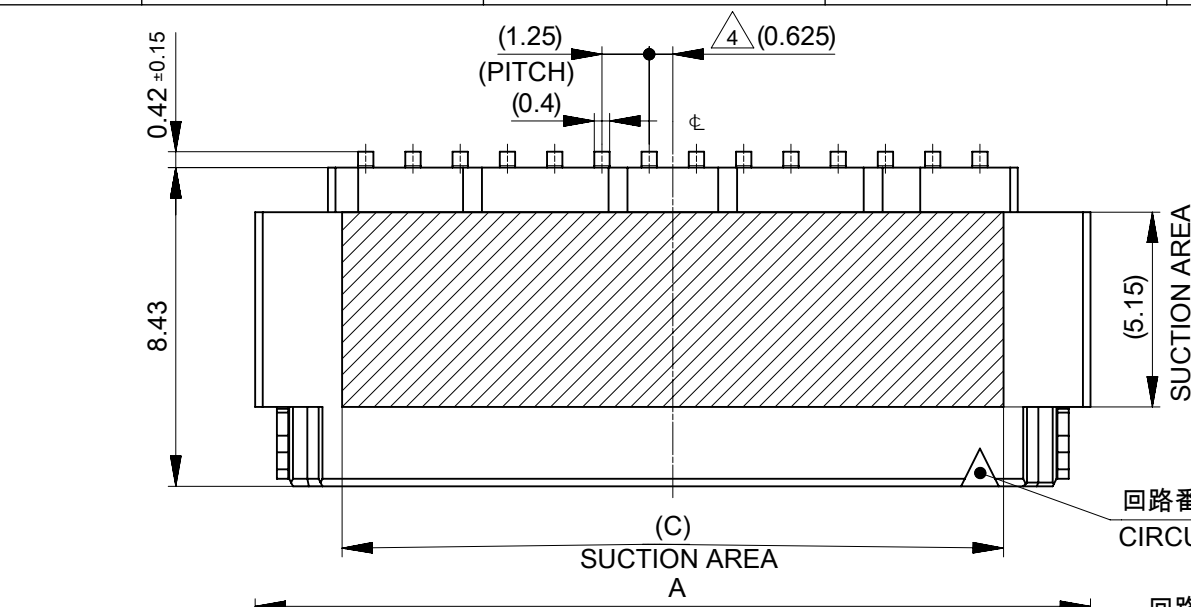


TABLE 1

| 番号<br>NO. | 部品<br>PART                                    | 材質<br>MATERIAL   |
|-----------|---|--|
| ①         | ハウジング<br>HOUSING                              | ポリアミド(PA), UL94V-0, 色: SHEET 4参照<br>POLYAMIDE(PA), UL94V-0, COLOR: SEE SHEET 4   |
| ②         | ターミナル<br>及び<br>ネイル<br>TERMINAL<br>AND<br>NAIL | 黄銅<br>BRASS<br>錫ビスマスめっき: 1.0 MICROMETER MINIMUM<br>TIN-BISMUTH PLATING<br>ニッケルめっき(下地めっき): 1.0 MICROMETER MINIMUM<br>NICKEL PLATING (UNDER PLATING) |

|                 |    |              |            |          |
|-----------------|----|--------------|------------|----------|
| DOCUMENT STATUS | P1 | RELEASE DATE | 2023/02/16 | 15:22:26 |
|-----------------|----|--------------|------------|----------|

THIS DRAWING CONTAINS INFORMATION THAT IS PROPRIETARY TO MOLEX ELECTRONIC TECHNOLOGIES, LLC AND SHOULD NOT BE USED WITHOUT WRITTEN PERMISSION

|  |        |                   |            |
|--|--------|-------------------|------------|
| DIMENSION UNITS                                      | SCALE  | CURRENT REV DESC: |            |
| mm   | NTS    |                   |            |
| GENERAL TOLERANCES (UNLESS SPECIFIED)                |        |                   |            |
| ANGULAR TOL  | ± 3.0° |                   |            |
| 4 PLACES   | ± 0.2  | EC NO: 736271     | 2023/02/01 |
| 3 PLACES   | ± 0.2  | DRWN: SOKUMURA01  | 2023/02/16 |
| 2 PLACES   | ± 0.2  | CHK'D: SAKIYAMA   | 2023/02/16 |
| 1 PLACE  | ± 0.2  | APPR: AIDA        |            |
| 0 PLACES   | ± 0.2  | INITIAL REVISION: |            |
| DRAFT WHERE APPLICABLE MUST REMAIN WITHIN DIMENSIONS |        | DRWN: TAKAIKE     | 2017/01/18 |
| THIRD ANGLE PROJECTION                               |        | APPR: TKANEKO     | 2017/04/03 |
| DRAWING  | SERIES | MATERIAL NUMBER   | CUSTOMER   |
| A3-SIZE  | 505448 | SEE SHEET 4       | GENERAL    |

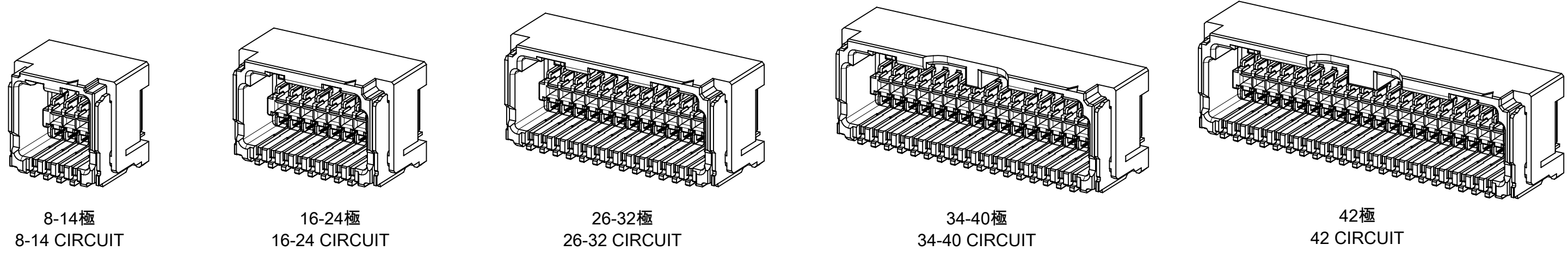
**molex**

MICRO-LOCK PLUS 1.25 W/B  
DUAL ROW RIGHT ANGLE SMT PLUG ASSEMBLY  
TIN-BISMUTH PLATING

PRODUCT CUSTOMER DRAWING

|                 |          |          |          |
|-----------------|----------|----------|----------|
| DOCUMENT NUMBER | DOC TYPE | DOC PART | REVISION |
| 5054480000      | PSD      | 000      | D        |
| SHEET NUMBER    |          | 1 OF 4   |          |

製品形状  
PRODUCT SHAPE



8-14極  
8-14 CIRCUIT

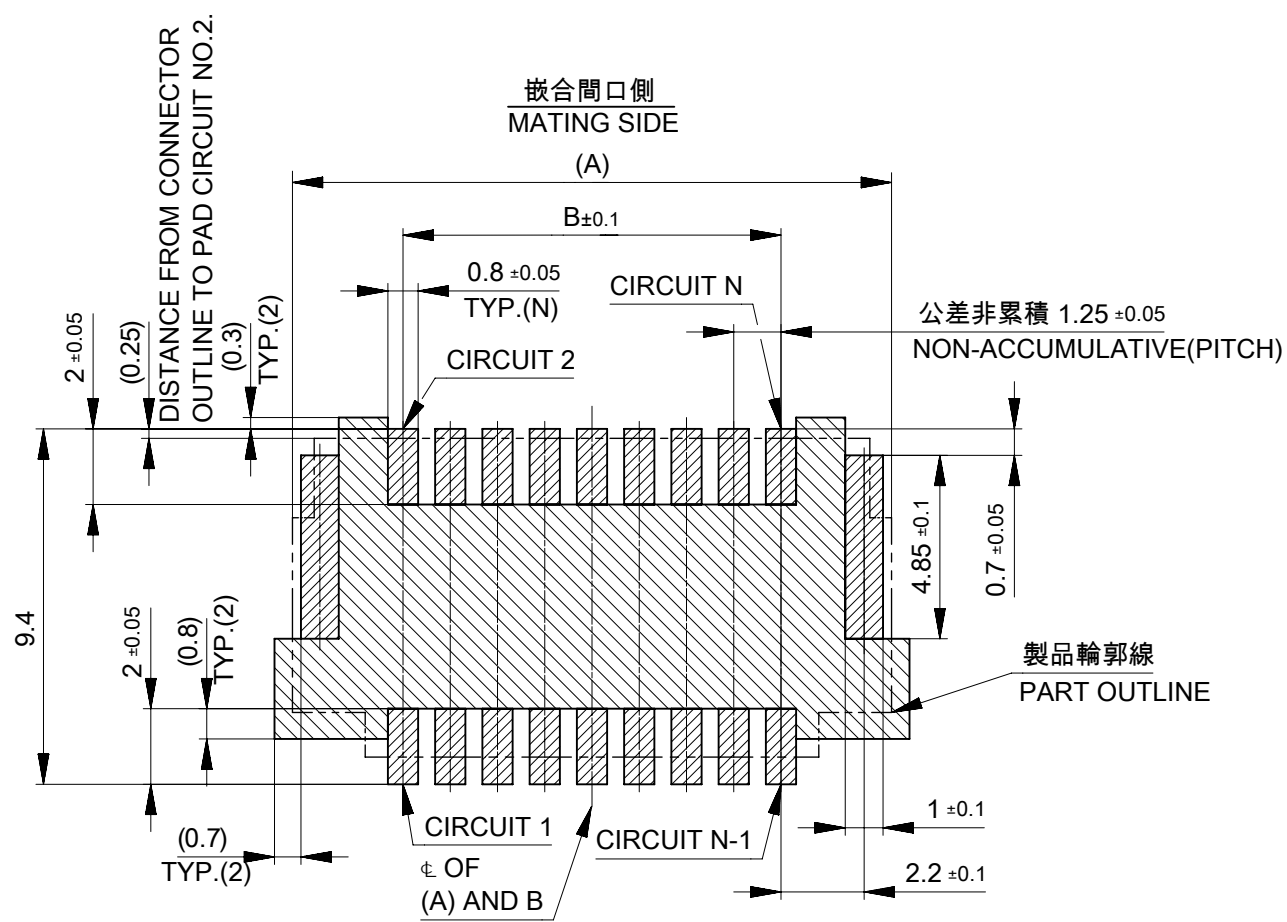
16-24極  
16-24 CIRCUIT

26-32極  
26-32 CIRCUIT

34-40極  
34-40 CIRCUIT

42極  
42 CIRCUIT

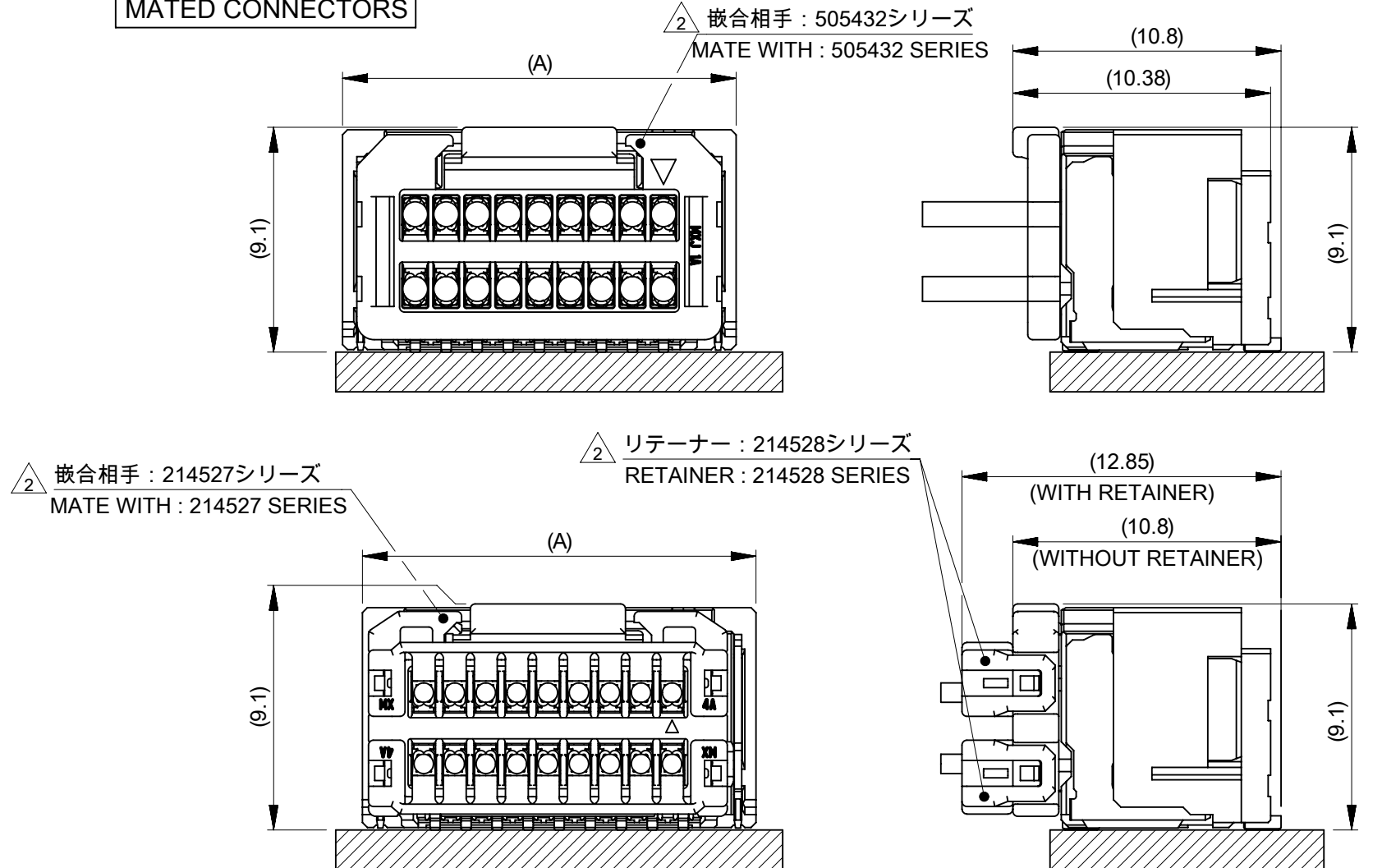
基板パターンレイアウト  
PCB PATTERN LAYOUT



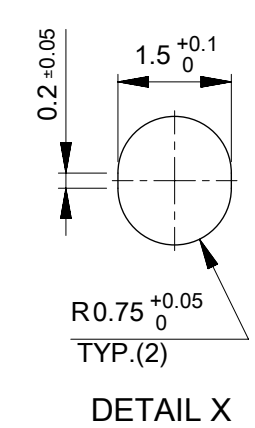
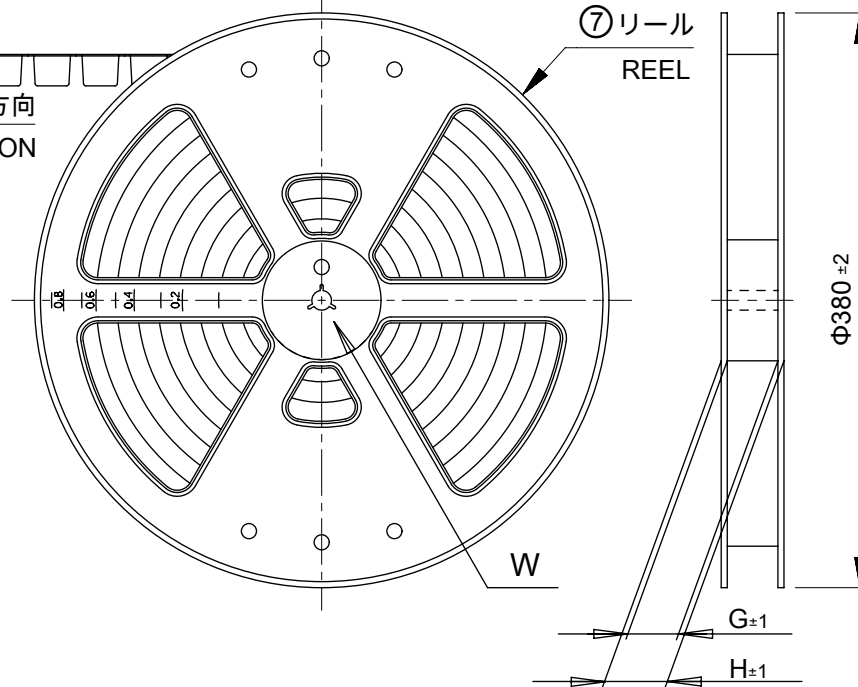
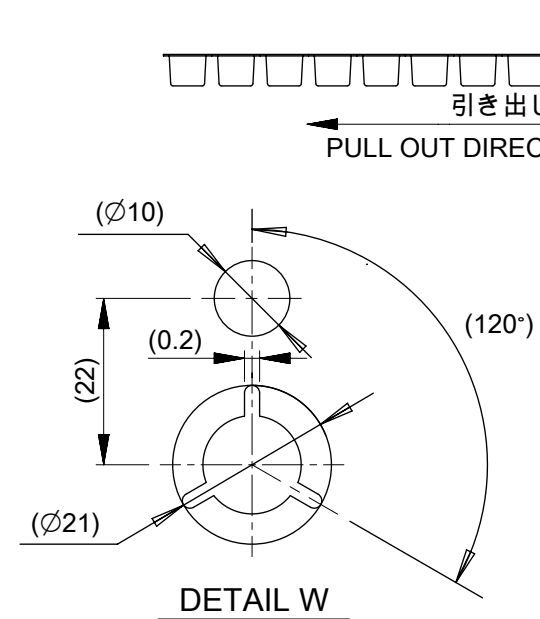
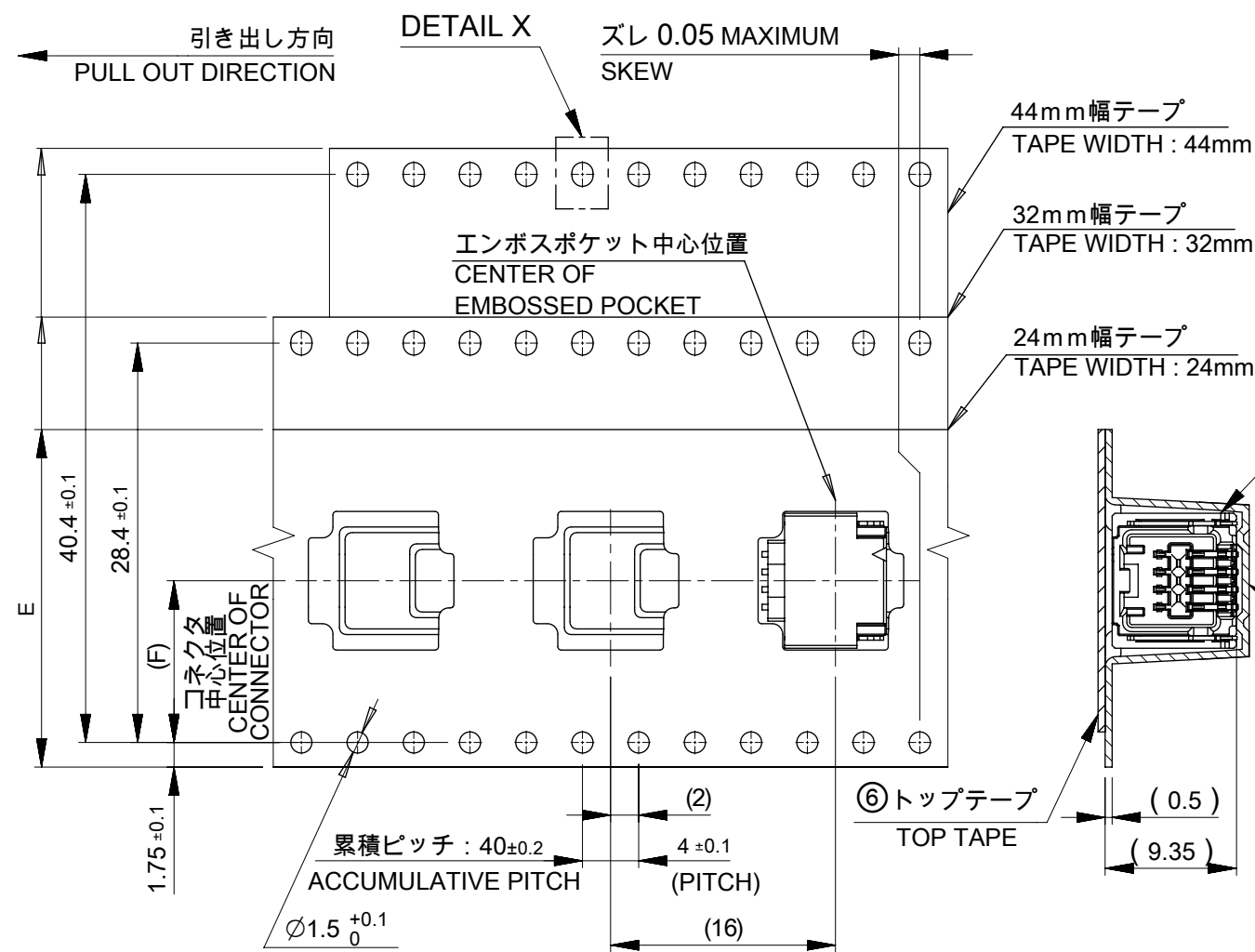
基板パターンレイアウト (参考)  
(参考: 基板厚 1.6mm, メタルマスク厚さ 0.15mm, マスク開口率 100%)  
RECOMMEND PCB LAYOUT : COMPONENT SIDE  
(REFERENCE : PCB THICKNESS 1.6mm, STENCIL THICKNESS 0.15mm, APERTURE RATIO 100%)

パターン非推奨エリア  
パターンを引き回す際は、製品機能に影響がないことをご確認ください。  
PATTERN IS NOT RECOMMENDED ON THE HATCHING AREA  
PLEASE CHECK NOT TO HAVE PROBLEM FOR PRODUCT FUNCTION  
WHEN SETTING PATTERN ON THE HATCHING AREA.

嵌合状態図  
MATED CONNECTORS

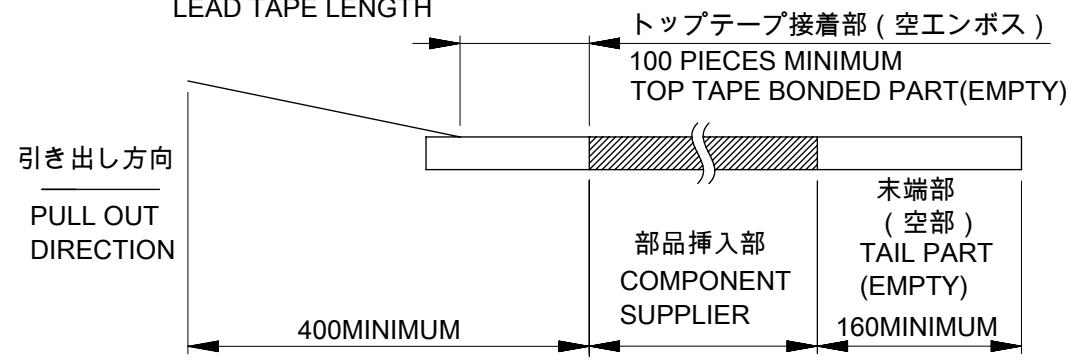


|   |         |                   |                 |   |          |
|---|---------|-------------------|-----------------|---|----------|
| THIS DRAWING CONTAINS INFORMATION THAT IS PROPRIETARY TO MOLEX ELECTRONIC TECHNOLOGIES, LLC AND SHOULD NOT BE USED WITHOUT WRITTEN PERMISSION |         | CURRENT REV DESC: |                 | <b>molex</b>  |          |
| DIMENSION UNITS   | SCALE   |                   |                 |   |          |
| mm  | NTS     |                   |                 | MICRO-LOCK PLUS 1.25 W/B<br>DUAL ROW RIGHT ANGLE SMT PLUG ASSEMBLY<br>TIN-BISMUTH PLATING |          |
| GENERAL TOLERANCES<br>(UNLESS SPECIFIED)  |         |                   |                 | PRODUCT CUSTOMER DRAWING  |          |
| ANGULAR TOL   | ± 3.0 ° |                   |                 | DOCUMENT NUMBER   |          |
| 4 PLACES  | ± 0.2   | EC NO: 736271     | 2023/02/01      | 5054480000  |          |
| 3 PLACES  | ± 0.2   | DRWN: SOKUMURA01  | 2023/02/16      | DOC TYPE  | DOC PART |
| 2 PLACES  | ± 0.2   | CHK'D: SAKIYAMA   | 2023/02/16      | PSD   | 000      |
| 1 PLACE   | ± 0.2   | APPR: AIDA        | 2023/02/16      | REVISION  |          |
| 0 PLACES  | ± 0.2   | INITIAL REVISION: |                 | D   |          |
| DRAFT WHERE APPLICABLE<br>MUST REMAIN<br>WITHIN DIMENSIONS  |         | DRWN: TAKAIKE     | 2017/01/18      | SHEET NUMBER  |          |
| THIRD ANGLE PROJECTION  |         | APPR: TKANEKO     | 2017/04/03      | SEE SHEET 4   | GENERAL  |
| DRAWING   |         | SERIES            | MATERIAL NUMBER | CUSTOMER  |          |
| A3-SIZE   |         | 505448            | GENERAL         | 2 OF 4  |          |



**注記 NOTES**

- 6. 梱包数量 : 500個  
NUMBER OF CONNECTORS : 500 PIECES/REEL.
- 7. 梱包仕様書 : 5054489200 PS 200  
PACKING SPECIFICATION : 5054489200 PS 200
- 8. リードテープ長さ  
LEAD TAPE LENGTH



9. トップテープの剥離強度については、IEC60286-3に準拠  
TOP TAPE PEEL FORCE IS DEFINED BY IEC60286-3.

TABLE 2

| 番号<br>NO. | 部品<br>PART                | 材質<br>MATERIAL   |
|-----------|---------------------------|--|
| ⑤         | エンボステープ<br>EMBOSSSED TAPE | ポリスチレン(PS)<br>POLYSTYRENE(PS)  |
| ⑥         | トップテープ<br>TOP TAPE        | ポリエチレン(PE)、その他<br>POLYETHYLENE(PE), OTHER                                |
| ⑦         | リール<br>REEL               | ポリスチレン(PS) <リサイクル材を含む><br>POLYSTYRENE(PS) <RECYCLE MATERIRAL CONTAINED > |

|                 |    |              |            |          |
|-----------------|----|--------------|------------|----------|
| DOCUMENT STATUS | P1 | RELEASE DATE | 2023/02/16 | 15:22:26 |
|-----------------|----|--------------|------------|----------|

|      |      |      |                                    |                    |
|------|------|------|------------------------------------|--------------------|
|      |      |      |                                    | 42                 |
|      |      |      |                                    | 40                 |
|      |      |      |                                    | 38                 |
|      |      |      |                                    | 36                 |
|      |      |      |                                    | 34                 |
|      |      |      |                                    | 32                 |
|      |      |      |                                    | 30                 |
|      |      |      |                                    | 28                 |
|      |      |      |                                    | 26                 |
|      |      |      |                                    | 24                 |
|      |      |      |                                    | 22                 |
| 49.4 | 45.4 | 20.2 | 44±0.3                             | 20                 |
|      |      |      |                                    | 18                 |
|      |      |      |                                    | 16                 |
|      |      |      |                                    | 14                 |
| 37.4 | 33.4 | 14.2 | 32±0.3                             | 12                 |
|      |      |      |                                    | 10                 |
|      |      |      |                                    | 8                  |
| 29.4 | 25.4 | 11.5 | 24 <sup>+0.3</sup> <sub>-0.1</sub> | 極数<br>CIRCUIT SIZE |
| H    | G    | F    | E                                  |                    |


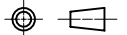
|   |         |                        |         |   |                 |
|---|---------|------------------------|---------|---|-----------------|
| THIS DRAWING CONTAINS INFORMATION THAT IS PROPRIETARY TO MOLEX ELECTRONIC TECHNOLOGIES, LLC AND SHOULD NOT BE USED WITHOUT WRITTEN PERMISSION |         | CURRENT REV DESC:      |         | <b>molex</b>  |                 |
| DIMENSION UNITS   | SCALE   |                        |         |   |                 |
| mm  | NTS     |                        |         | MICRO-LOCK PLUS 1.25 W/B<br>DUAL ROW RIGHT ANGLE SMT PLUG ASSEMBLY<br>TIN-BISMUTH PLATING |                 |
| GENERAL TOLERANCES (UNLESS SPECIFIED)   |         |                        |         | PRODUCT CUSTOMER DRAWING  |                 |
| ANGULAR TOL   | ± 3.0 ° |                        |         | DOCUMENT NUMBER   |                 |
| 4 PLACES  | ± 0.2   | EC NO: 736271          |         | DOC TYPE  |                 |
| 3 PLACES  | ± 0.2   | DRWN: SOKUMURA01       |         | DOC PART  |                 |
| 2 PLACES  | ± 0.2   | CHK'D: SAKIYAMA        |         | REVISION  |                 |
| 1 PLACE   | ± 0.2   | APPR: AIDA             |         | 5054480000  |                 |
| 0 PLACES  | ± 0.2   | INITIAL REVISION:      |         | PSD 000 D   |                 |
| DRAFT WHERE APPLICABLE MUST REMAIN WITHIN DIMENSIONS  |         | THIRD ANGLE PROJECTION | DRAWING | SERIES  | MATERIAL NUMBER |
|   |         |                        | A3-SIZE | 505448  | CUSTOMER        |
|   |         |                        |         |   | GENERAL         |
|   |         |                        |         |   | SHEET NUMBER    |
|   |         |                        |         |   | 3 OF 4          |

△ 2 適合製品及び各種仕様書 APPLICABLE PRODUCTS AND VARIOUS SPECIFICATIONS

|  |                               |                      |  |
|--|-------------------------------|----------------------|--|
| 梱包仕様書<br>PACKAGING SPECIFICATION                   |                               | 5054489200 PS 200    |  |
| 適合嵌合相手<br>MATE WITH                                | シリーズ番号<br>SERIES NUMBER       | 505432               | 214527                                   |
|  | リテーナー対応<br>RETAINER COMPLIANT | NOT COMPLIANT        | COMPLIANT<br>(NATURAL, BLACK, RED, BLUE) |
| 適合リテーナーシリーズ番号<br>APPLICABLE RETAINER SERIES NUMBER |                               | -                    | 214528                                   |
| 製品仕様書<br>PRODUCT SPECIFICATION                     |                               | 5054320000 PS 002    | 2145270000-PS PS 000                     |
| コネクタ取扱説明書<br>APPLICATION SPECIFICATION             |                               | 5054320000-AS PS 000 |  |

△ 5 505448\*\*7\* 製品番号一覧 PRODUCT NUMBER LIST

| GREEN  | BLUE       | RED        | BLACK      | NATURAL<br>(BEIGE) | HOUSING<br>COLOR   |
|--|------------|------------|------------|--------------------|--------------------|
| 5054484276   | 5054484274 | 5054484272 | 5054484271 | 5054484270         | 42                 |
| 5054484076   | 5054484074 | 5054484072 | 5054484071 | 5054484070         | 40                 |
| 5054483876   | 5054483874 | 5054483872 | 5054483871 | 5054483870         | 38                 |
| 5054483676   | 5054483674 | 5054483672 | 5054483671 | 5054483670         | 36                 |
| 5054483476   | 5054483474 | 5054483472 | 5054483471 | 5054483470         | 34                 |
| 5054483276   | 5054483274 | 5054483272 | 5054483271 | 5054483270         | 32                 |
| 5054483076   | 5054483074 | 5054483072 | 5054483071 | 5054483070         | 30                 |
| 5054482876   | 5054482874 | 5054482872 | 5054482871 | 5054482870         | 28                 |
| 5054482676   | 5054482674 | 5054482672 | 5054482671 | 5054482670         | 26                 |
| 5054482476   | 5054482474 | 5054482472 | 5054482471 | 5054482470         | 24                 |
| 5054482276   | 5054482274 | 5054482272 | 5054482271 | 5054482270         | 22                 |
| 5054482076   | 5054482074 | 5054482072 | 5054482071 | 5054482070         | 20                 |
| 5054481876   | 5054481874 | 5054481872 | 5054481871 | 5054481870         | 18                 |
| 5054481676   | 5054481674 | 5054481672 | 5054481671 | 5054481670         | 16                 |
| 5054481476   | 5054481474 | 5054481472 | 5054481471 | 5054481470         | 14                 |
| 5054481276   | 5054481274 | 5054481272 | 5054481271 | 5054481270         | 12                 |
| 5054481076   | 5054481074 | 5054481072 | 5054481071 | 5054481070         | 10                 |
| 5054480876   | 5054480874 | 5054480872 | 5054480871 | 5054480870         | 8                  |
| 発注番号 ORDER NO.   |            |            |            |                    | 極数<br>CIRCUIT SIZE |
| 梱包形態：エンボステープ梱包<br>PACKAGING STYLE：EMBOSSED TAPE AND REEL |            |            |            |                    |                    |

|   |  |            |  |  |  |          |  |              |  |
|---|--|------------|--|--|--|----------|--|--------------|--|
| THIS DRAWING CONTAINS INFORMATION THAT IS PROPRIETARY TO MOLEX ELECTRONIC TECHNOLOGIES, LLC AND SHOULD NOT BE USED WITHOUT WRITTEN PERMISSION |  |            |  |  |  |          |  |              |  |
| DIMENSION UNITS   |  | SCALE      |  | CURRENT REV DESC:  |  |          |  |              |  |
| mm  |  | NTS        |  | <br>MICRO-LOCK PLUS 1.25 W/B<br>DUAL ROW RIGHT ANGLE SMT PLUG ASSEMBLY<br>TIN-BISMUTH PLATING<br>PRODUCT CUSTOMER DRAWING |  |          |  |              |  |
| GENERAL TOLERANCES (UNLESS SPECIFIED)   |  |            |  |  |  |          |  |              |  |
| ANGULAR TOL   |  | ± 3.0 °    |  | EC NO: 736271  |  |          |  |              |  |
| 4 PLACES  |  | ± 0.2      |  | DRWN: SOKUMURA01 2023/02/01  |  |          |  |              |  |
| 3 PLACES  |  | ± 0.2      |  | CHK'D: SAKIYAMA 2023/02/16   |  |          |  |              |  |
| 2 PLACES  |  | ± 0.2      |  | APPR: AIDA 2023/02/16  |  |          |  |              |  |
| 1 PLACE   |  | ± 0.2      |  | INITIAL REVISION:  |  |          |  |              |  |
| 0 PLACES  |  | ± 0.2      |  | DRWN: TAKAIKE 2017/01/18   |  |          |  |              |  |
|   |  |            |  | APPR: TKANEKO 2017/04/03   |  |          |  |              |  |
| DRAFT WHERE APPLICABLE MUST REMAIN WITHIN DIMENSIONS  |  |            |  | THIRD ANGLE PROJECTION   |  | DRAWING  |  | SERIES       |  |
|   |  |            |  |   |  | A3-SIZE  |  | 505448       |  |
|   |  |            |  | MATERIAL NUMBER  |  | CUSTOMER |  | SHEET NUMBER |  |
|   |  |            |  | SEE CHART  |  | GENERAL  |  | 4 OF 4       |  |
| DOCUMENT NUMBER   |  | 5054480000 |  | DOC TYPE   |  | PSD      |  | DOC PART     |  |
|   |  |            |  |  |  | 000      |  | D            |  |

|                 |    |              |            |          |
|-----------------|----|--------------|------------|----------|
| DOCUMENT STATUS | P1 | RELEASE DATE | 2023/02/16 | 15:22:26 |
|-----------------|----|--------------|------------|----------|