

1-Mbit SPI Bus Serial EEPROM

Device Selection Table

| Part Number | Vcc Range | Page Size | Temp. Ranges | Packages |
|-------------|-----------|-----------|--------------|-----------|
| 25LC1024 | 2.5V-5.5V | 256 Bytes | I, E | MF, P, SM |

Features

- 20 MHz Maximum Clock Speed
- Byte and Page-Level Write Operations:
 - 256-byte page
 - 6 ms maximum write cycle time
 - No page or sector erase required
- Low-Power CMOS Technology:
 - Maximum Write current: 5 mA at 5.5V, 20 MHz
 - Read current: 7 mA at 5.5V, 20 MHz
 - Standby current: 1 μ A at 2.5V (Deep power-down)
- Electronic Signature for Device ID
- Self-Timed Erase and Write Cycles:
 - Page Erase (6 ms maximum)
 - Sector Erase (10 ms maximum)
 - Chip Erase (10 ms maximum)
- Sector Write Protection (32K byte/sector):
 - Protect none, 1/4, 1/2 or all of array
- Built-In Write Protection:
 - Power-on/off data protection circuitry
 - Write enable latch
 - Write-protect pin
- High Reliability:
 - Endurance: 1M erase/write cycles
 - Data Retention: >200 years
 - ESD Protection: >4000V
- Temperature Ranges Supported:
 - Industrial (I): -40°C to +85°C
 - Extended (E): -40°C to +125°C
- RoHS Compliant
- Automotive AEC-Q100 Qualified

Pin Function Table

| Name | Function |
|--------------------------|--------------------|
| $\overline{\text{CS}}$ | Chip Select Input |
| SO | Serial Data Output |
| WP | Write-Protect |
| Vss | Ground |
| SI | Serial Data Input |
| SCK | Serial Clock Input |
| $\overline{\text{HOLD}}$ | Hold Input |
| Vcc | Supply Voltage |

Description

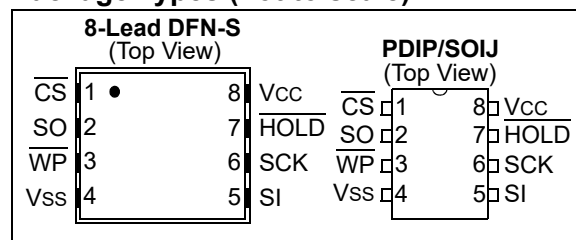
The Microchip Technology Inc. 25LC1024 is a 1024-Kbit serial EEPROM memory with byte-level and page-level serial EEPROM functions. It also features Page, Sector and Chip erase instructions typically associated with Flash-based products. These instructions are not required for byte or page write operations. The memory is accessed via a simple Serial Peripheral Interface (SPI) compatible serial bus. The bus signals required are a clock input (SCK) plus separate data in (SI) and data out (SO) lines. Access to the device is controlled by a Chip Select ($\overline{\text{CS}}$) input.

Communication to the device can be paused via the hold pin ($\overline{\text{HOLD}}$). While the device is paused, transitions on its inputs will be ignored, with the exception of Chip Select, allowing the host to service higher priority interrupts.

Packages

8-Lead DFN-S, 8-Lead PDIP and 8-Lead SOIJ

Package Types (not to scale)



25LC1024

1.0 ELECTRICAL CHARACTERISTICS

Absolute Maximum Ratings (†)

| | |
|---|--------------------------------|
| V _{CC} | 6.5V |
| All inputs and outputs w.r.t. V _{SS} | -0.6V to V _{CC} +1.0V |
| Storage temperature | -65°C to +150°C |
| Ambient temperature under bias..... | -40°C to +125°C |
| ESD protection on all pins..... | 4 kV |

† **NOTICE:** Stresses above those listed under “Absolute Maximum Ratings” may cause permanent damage to the device. This is a stress rating only and functional operation of the device at those or any other conditions above those indicated in the operational listings of this specification is not implied. Exposure to maximum rating conditions for an extended period of time may affect device reliability.

TABLE 1-1: DC CHARACTERISTICS

| DC CHARACTERISTICS | | | Industrial (I): TA = -40°C to +85°C V _{CC} = 2.5V to 5.5V Extended (E): TA = -40°C to +125°C V _{CC} = 2.5V to 5.5V | | | | |
|--------------------|-----------------------|---|---|---------------------|-------|--|--|
| Param. No. | Symbol | Characteristic | Min. | Max. | Units | Test Conditions | |
| D001 | V _{IH1} | High-Level Input Voltage | 0.7 V _{CC} | V _{CC} +1 | V | | |
| D002 | V _{IL1} | Low-Level Input Voltage | -0.3 | 0.3 V _{CC} | V | V _{CC} ≥ 2.7V | |
| D003 | V _{IL2} | | -0.3 | 0.2 V _{CC} | V | V _{CC} < 2.7V | |
| D004 | V _{OL} | Low-level Output Voltage | — | 0.4 | V | I _{OL} = 2.1 mA | |
| D005 | V _{OH} | High-Level Output Voltage | V _{CC} -0.2 | — | V | I _{OH} = -400 μA | |
| D006 | I _I | Input Leakage Current | — | ±1 | μA | $\overline{CS} = V_{CC}$, V _{IN} = V _{SS} or V _{CC} | |
| D007 | I _O | Output Leakage Current | — | ±1 | μA | $\overline{CS} = V_{CC}$, V _{OUT} = V _{SS} or V _{CC} | |
| D008 | C _{INT} | Internal Capacitance (all inputs and outputs) | — | 7 | pF | TA = +25°C, CLK = 1.0 MHz, V _{CC} = 5.0V (Note 1) | |
| D009 | I _{CC} Read | Operating Current | — | 10 | mA | V _{CC} = 5.5V; F _{CLK} = 20.0 MHz; SO = Open | |
| | | | — | 5 | mA | V _{CC} = 2.5V; F _{CLK} = 10.0 MHz; SO = Open | |
| D010 | I _{CC} Write | | — | 7 | mA | V _{CC} = 5.5V | |
| | | | — | 5 | mA | V _{CC} = 2.5V | |
| D011 | I _{CCS} | Standby Current | — | 20 | μA | $\overline{CS} = V_{CC} = 5.5V$, Inputs tied to V _{CC} or V _{SS} , +125°C | |
| | | | — | 12 | μA | $\overline{CS} = V_{CC} = 5.5V$, Inputs tied to V _{CC} or V _{SS} , +85°C | |
| D012 | I _{CCSPD} | | Deep Power-Down Current | — | 1 | μA | $\overline{CS} = V_{CC} = 2.5V$, Inputs tied to V _{CC} or V _{SS} , +85°C |
| | | | | — | 2 | μA | $\overline{CS} = V_{CC} = 2.5V$, Inputs tied to V _{CC} or V _{SS} , +125°C |

Note 1: This parameter is periodically sampled and not 100% tested.

TABLE 1-2: AC CHARACTERISTICS

| AC CHARACTERISTICS | | | Industrial (I): TA = -40°C to +85°C Vcc = 2.5V to 5.5V Extended (E): TA = -40°C to +125°C Vcc = 2.5V to 5.5V | | | |
|--------------------|--------|--|---|------|-------|--------------------------------------|
| Param. No. | Symbol | Characteristic | Min. | Max. | Units | Conditions |
| 1 | FCLK | Clock Frequency | — | 20 | MHz | 4.5V ≤ Vcc ≤ 5.5V (I) |
| | | | — | 10 | MHz | 2.5V ≤ Vcc < 5.5V (I, E) |
| 2 | Tcss | $\overline{\text{CS}}$ Setup Time | 25 | — | ns | 4.5V ≤ Vcc ≤ 5.5V (I) |
| | | | 50 | — | ns | 2.5V ≤ Vcc < 5.5V (I, E) |
| 3 | Tcsh | $\overline{\text{CS}}$ Hold Time | 50 | — | ns | 4.5V ≤ Vcc ≤ 5.5V (I) |
| | | | 100 | — | ns | 2.5V ≤ Vcc < 5.5V (I, E) |
| 4 | TcSD | $\overline{\text{CS}}$ Disable Time | 50 | — | ns | |
| 5 | Tsu | Data Setup Time | 5 | — | ns | 4.5V ≤ Vcc ≤ 5.5V (I) |
| | | | 10 | — | ns | 2.5V ≤ Vcc < 5.5V (I, E) |
| 6 | THD | Data Hold Time | 10 | — | ns | 4.5V ≤ Vcc ≤ 5.5V (I) |
| | | | 20 | — | ns | 2.5V ≤ Vcc < 5.5V (I, E) |
| 7 | TR | CLK Rise Time | — | 20 | ns | Note 1 |
| 8 | TF | CLK Fall Time | — | 20 | ns | Note 1 |
| 9 | THI | Clock High Time | 25 | — | ns | 4.5V ≤ Vcc ≤ 5.5V (I) |
| | | | 50 | — | ns | 2.5V ≤ Vcc < 5.5V (I, E) |
| 10 | TLO | Clock Low Time | 25 | — | ns | 4.5V ≤ Vcc ≤ 5.5V (I) |
| | | | 50 | — | ns | 2.5V ≤ Vcc < 5.5V (I, E) |
| 11 | TCLD | Clock Delay Time | 50 | — | ns | |
| 12 | TCLE | Clock Enable Time | 50 | — | ns | |
| 13 | TV | Output Valid from Clock Low | — | 25 | ns | 4.5V ≤ Vcc ≤ 5.5V (I) |
| | | | — | 50 | ns | 2.5V ≤ Vcc < 5.5V (I, E) |
| 14 | THO | Output Hold Time | 0 | — | ns | Note 1 |
| 15 | TDis | Output Disable Time | — | 25 | ns | 4.5V ≤ Vcc ≤ 5.5V (I) |
| | | | — | 50 | ns | 2.5V ≤ Vcc < 5.5V (I, E) |
| 16 | THS | $\overline{\text{HOLD}}$ Setup Time | 10 | — | ns | 4.5V ≤ Vcc ≤ 5.5V (I) |
| | | | 20 | — | ns | 2.5V ≤ Vcc < 5.5V (I, E) |
| 17 | THH | $\overline{\text{HOLD}}$ Hold Time | 10 | — | ns | 4.5V ≤ Vcc ≤ 5.5V (I) |
| | | | 20 | — | ns | 2.5V ≤ Vcc < 5.5V (I, E) |
| 18 | THZ | $\overline{\text{HOLD}}$ Low to Output High-Z | — | 15 | ns | 4.5V ≤ Vcc ≤ 5.5V (I) |
| | | | — | 30 | ns | 2.5V ≤ Vcc < 5.5V (I, E) (Note 1) |
| 19 | THV | $\overline{\text{HOLD}}$ High to Output Valid | — | 15 | ns | 4.5V ≤ Vcc ≤ 5.5V (I) |
| | | | — | 30 | ns | 2.5V ≤ Vcc < 5.5V (I, E) |
| 20 | TREL | $\overline{\text{CS}}$ High to Standby Mode | — | 100 | μs | |
| 21 | TPD | $\overline{\text{CS}}$ High to Deep Power-Down | — | 100 | μs | |
| 22 | TCE | Chip Erase Cycle Time | — | 10 | ms | |
| 23 | TSE | Sector Erase Cycle Time | — | 10 | ms | |

Note 1: This parameter is periodically sampled and not 100% tested.

2: This parameter is not tested but established by characterization and qualification.

25LC1024

TABLE 1-2: AC CHARACTERISTICS (CONTINUED)

| AC CHARACTERISTICS | | | Industrial (I): TA = -40°C to +85°C Vcc = 2.5V to 5.5V Extended (E):TA = -40°C to +125°C Vcc = 2.5V to 5.5V | | | |
|--------------------|--------|---------------------------|--|------|------------|---|
| Param. No. | Symbol | Characteristic | Min. | Max. | Units | Conditions |
| 24 | Twc | Internal Write Cycle Time | — | 6 | ms | Byte or Page mode and Page Erase |
| 25 | | Endurance | 1M | — | E/W Cycles | Page mode, +25°C, 5.5V (Note 2) |

Note 1: This parameter is periodically sampled and not 100% tested.

2: This parameter is not tested but established by characterization and qualification.

TABLE 1-3: AC TEST CONDITIONS

| AC Waveform | |
|------------------------------------|---------------|
| VLO = 0.2V | — |
| VHI = Vcc - 0.2V | Note 1 |
| VHI = 4.0V | Note 2 |
| CL = 30 pF | — |
| Timing Measurement Reference Level | |
| Input | 0.5 Vcc |
| Output | 0.5 Vcc |

Note 1: For Vcc ≤ 4.0V

2: For Vcc > 4.0V

FIGURE 1-1: HOLD TIMING

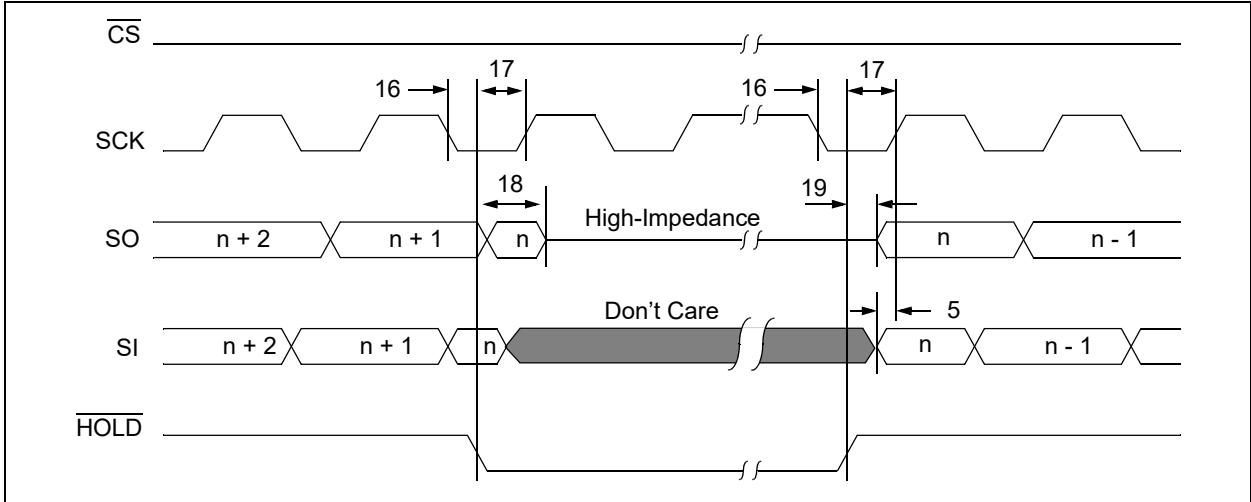


FIGURE 1-2: SERIAL INPUT TIMING

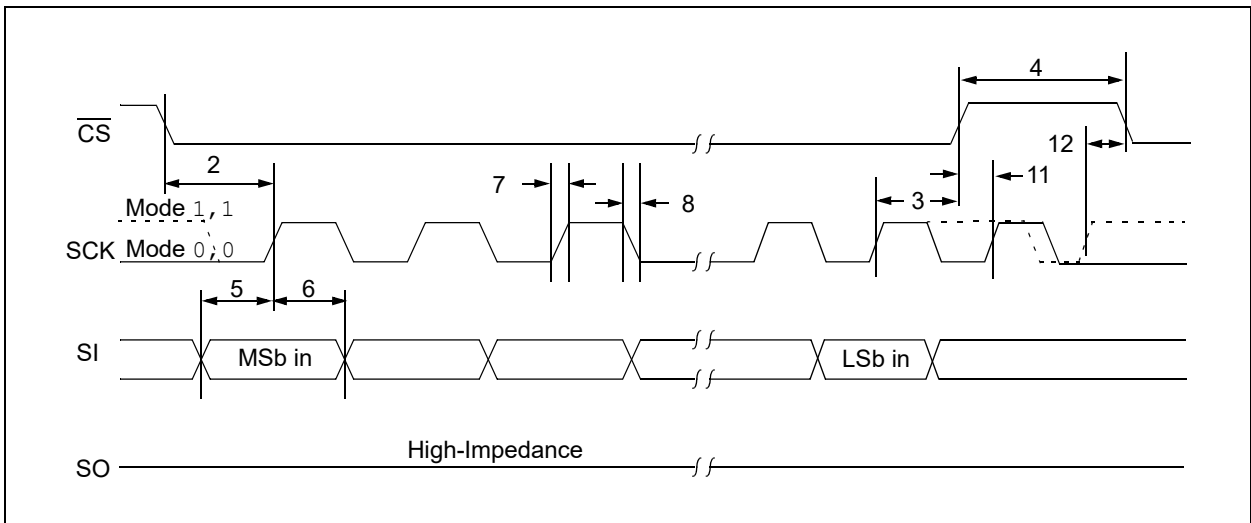
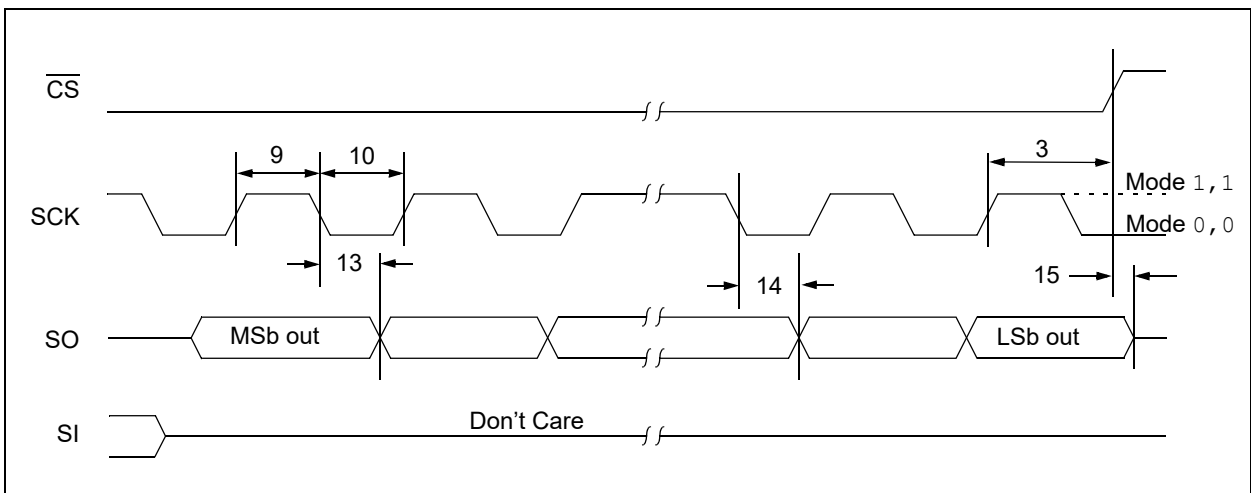


FIGURE 1-3: SERIAL OUTPUT TIMING



25LC1024

2.0 PIN DESCRIPTIONS

The descriptions of the pins are listed in [Table 2-1](#).

TABLE 2-1: PIN FUNCTION TABLE

| Name | 8-Lead DFN-S ⁽¹⁾ | 8-Lead PDIP | 8-Lead SOIJ | Function |
|--------------------------|-----------------------------|-------------|-------------|--------------------|
| $\overline{\text{CS}}$ | 1 | 1 | 1 | Chip Select Input |
| SO | 2 | 2 | 2 | Serial Data Output |
| $\overline{\text{WP}}$ | 3 | 3 | 3 | Write-Protect Pin |
| Vss | 4 | 4 | 4 | Ground |
| SI | 5 | 5 | 5 | Serial Data Input |
| SCK | 6 | 6 | 6 | Serial Clock Input |
| $\overline{\text{HOLD}}$ | 7 | 7 | 7 | Hold Input |
| Vcc | 8 | 8 | 8 | Supply Voltage |

Note 1: The exposed pad on DFN-S package can be connected to Vss or left floating.

2.1 Chip Select ($\overline{\text{CS}}$)

A low level on this pin selects the device. A high level deselects the device and forces it into Standby mode. However, a programming cycle which is already initiated or in progress will be completed, regardless of the $\overline{\text{CS}}$ input signal. If $\overline{\text{CS}}$ is brought high during a program cycle, the device will go into Standby mode as soon as the programming cycle is complete. When the device is deselected, SO goes to the high-impedance state, allowing multiple parts to share the same SPI bus. A low-to-high transition on $\overline{\text{CS}}$ after a valid write sequence initiates an internal write cycle. After power-up, a low level on $\overline{\text{CS}}$ is required prior to any sequence being initiated.

2.2 Serial Output (SO)

The SO pin is used to transfer data out of the 25LC1024. During a read cycle, data are shifted out on this pin after the falling edge of the serial clock.

2.3 Write-Protect ($\overline{\text{WP}}$)

This pin is used in conjunction with the WPEN bit in the STATUS register to prohibit writes to the nonvolatile bits in the STATUS register. When $\overline{\text{WP}}$ is low and WPEN is high, writing to the nonvolatile bits in the STATUS register is disabled. All other operations function normally. When $\overline{\text{WP}}$ is high, all functions, including writes to the nonvolatile bits in the STATUS register, operate normally. If the WPEN bit is set, $\overline{\text{WP}}$ low during a STATUS register write sequence will disable writing to the STATUS register. If an internal write cycle has already begun, $\overline{\text{WP}}$ going low will have no effect on the write.

The $\overline{\text{WP}}$ pin function is blocked when the WPEN bit in the STATUS register is low. This allows the user to install the 25LC1024 in a system with $\overline{\text{WP}}$ pin grounded and still be able to write to the STATUS register.

The $\overline{\text{WP}}$ pin functions will be enabled when the WPEN bit is set high.

2.4 Serial Input (SI)

The SI pin is used to transfer data into the device. It receives instructions, addresses and data. Data are latched on the rising edge of the serial clock.

2.5 Serial Clock (SCK)

The SCK is used to synchronize the communication between a host and the 25LC1024. Instructions, addresses or data present on the SI pin are latched on the rising edge of the clock input, while data on the SO pin are updated after the falling edge of the clock input.

2.6 Hold ($\overline{\text{HOLD}}$)

The $\overline{\text{HOLD}}$ pin is used to suspend transmission to the 25LC1024 while in the middle of a serial sequence without having to retransmit the entire sequence again. It must be held high any time this function is not being used. Once the device is selected and a serial sequence is underway, the $\overline{\text{HOLD}}$ pin may be pulled low to pause further serial communication without resetting the serial sequence.

The $\overline{\text{HOLD}}$ pin must be brought low while SCK is low, otherwise the $\overline{\text{HOLD}}$ function will not be invoked until the next SCK high-to-low transition. The 25LC1024 must remain selected during this sequence. The SI and SCK levels are “don’t cares” during the time the device is paused and any transitions on these pins will be ignored. To resume serial communication, $\overline{\text{HOLD}}$ must be brought high while the SCK pin is low, otherwise serial communication will not be resumed until the next SCK high-to-low transition.

The SO line will tri-state immediately upon a high-to-low transition of the $\overline{\text{HOLD}}$ pin and will begin outputting again immediately upon a subsequent low-to-high transition of the $\overline{\text{HOLD}}$ pin, independent of the state of SCK.

3.0 FUNCTIONAL DESCRIPTION

3.1 Principles of Operation

The 25LC1024 is a 131,072-byte Serial EEPROM designed to interface directly with the Serial Peripheral Interface (SPI) port of many of today's popular microcontroller families, including Microchip's PIC[®] microcontrollers. It may also interface with microcontrollers that do not have a built-in SPI port by using discrete I/O lines programmed properly in firmware to match the SPI protocol.

The 25LC1024 contains an 8-bit instruction register. The device is accessed via the SI pin, with data being clocked in on the rising edge of SCK. The $\overline{\text{CS}}$ pin must be low and the HOLD pin must be high for the entire operation.

Table 3-1 contains a list of the possible instruction bytes and format for device operation. All instructions, addresses and data are transferred MSb first, LSB last.

Data (SI) is sampled on the first rising edge of SCK after $\overline{\text{CS}}$ goes low. If the clock line is shared with other peripheral devices on the SPI bus, the user can assert the HOLD input and place the 25LC1024 in 'HOLD' mode. After releasing the HOLD pin, operation will resume from the point when the HOLD was asserted.

BLOCK DIAGRAM

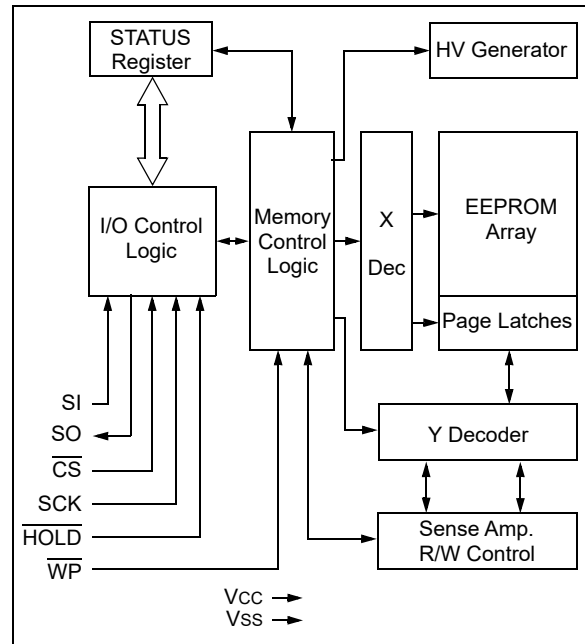


TABLE 3-1: INSTRUCTION SET

| Instruction Name | Instruction Format | Description |
|------------------|--------------------|--|
| READ | 0000 0011 | Read data from memory array beginning at selected address |
| WRITE | 0000 0010 | Write data to memory array beginning at selected address |
| WREN | 0000 0110 | Set the write enable latch (enable write operations) |
| WRDI | 0000 0100 | Reset the write enable latch (disable write operations) |
| RDSR | 0000 0101 | Read STATUS register |
| WRSR | 0000 0001 | Write STATUS register |
| PE | 0100 0010 | Page Erase – erase one page in memory array |
| SE | 1101 1000 | Sector Erase – erase one sector in memory array |
| CE | 1100 0111 | Chip Erase – erase all sectors in memory array |
| RDID | 1010 1011 | Release from Deep power-down and read electronic signature |
| DPD | 1011 1001 | Deep Power-Down mode |

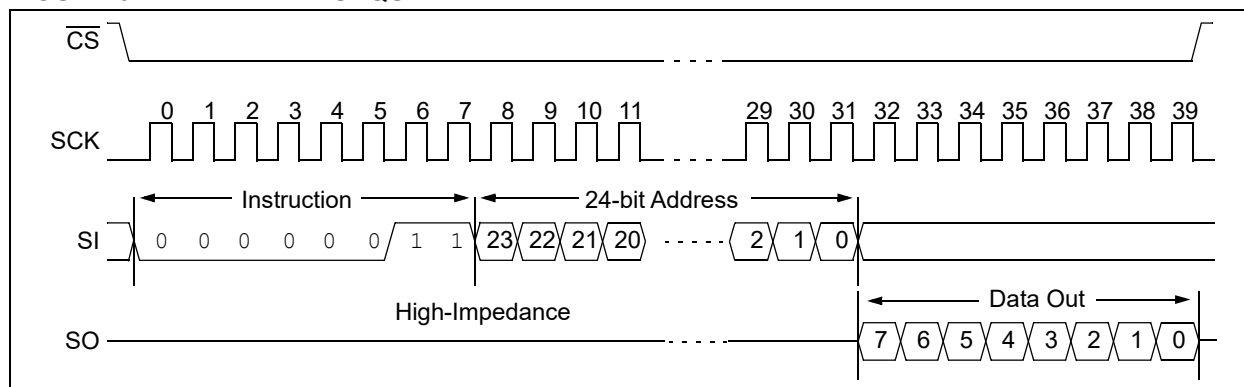
25LC1024

3.2 Read Sequence

The device is selected by pulling \overline{CS} low. The 8-bit `READ` instruction is transmitted to the 25LC1024 followed by the 24-bit address, with seven MSBs of the address being “don’t care” bits. After the correct `READ` instruction and address are sent, the data stored in the memory at the selected address is shifted out on the `SO` pin.

The data stored in the memory at the next address can be read sequentially by continuing to provide clock pulses. The internal Address Pointer is automatically incremented to the next higher address after each byte of data is shifted out. When the highest address is reached (1FFFFh), the address counter rolls over to address, 00000h, allowing the read cycle to be continued indefinitely. The read operation is terminated by raising the `CS` pin (Figure 3-1).

FIGURE 3-1: READ SEQUENCE



3.3 Write Sequence

Prior to any attempt to write data to the 25LC1024, the write enable latch must be set by issuing the `WREN` instruction (Figure 3-4). This is done by setting \overline{CS} low and then clocking out the proper instruction into the 25LC1024. After all eight bits of the instruction are transmitted, the \overline{CS} must be brought high to set the write enable latch. If the write operation is initiated immediately after the `WREN` instruction without \overline{CS} being brought high, the data will not be written to the array because the write enable latch will not have been properly set.

A write sequence includes an automatic, self-timed erase cycle. It is not required to erase any portion of the memory prior to issuing a write command.

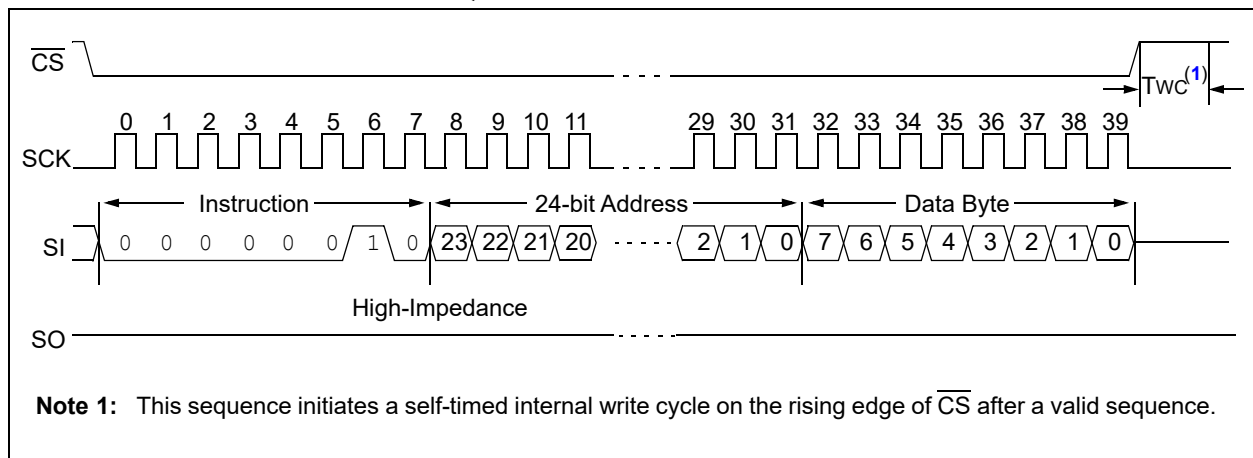
Once the write enable latch is set, the user may proceed by setting the \overline{CS} low, issuing a `WRITE` instruction, followed by the 24-bit address, with seven MSBs of the address being “don’t care” bits, and then the data to be written. Up to 256 bytes of data can be sent to the device before a write cycle is necessary. The only restriction is that all of the bytes must reside in the same page.

Note: When doing a write of less than 256 bytes, the data in the rest of the page are refreshed along with the data bytes being written. This will force the entire page to endure a write cycle and for this reason endurance is specified per page.

Note: Page write operations are limited to writing bytes within a single physical page, **regardless** of the number of bytes actually being written. Physical page boundaries start at addresses that are integer multiples of the page buffer size (or ‘page size’) and end at addresses that are integer multiples of page size – 1. If a Page Write command attempts to write across a physical page boundary, the result is that the data wrap around to the beginning of the current page (overwriting data previously stored there), instead of being written to the next page as might be expected. It is therefore necessary for the application software to prevent page write operations that would attempt to cross a page boundary.

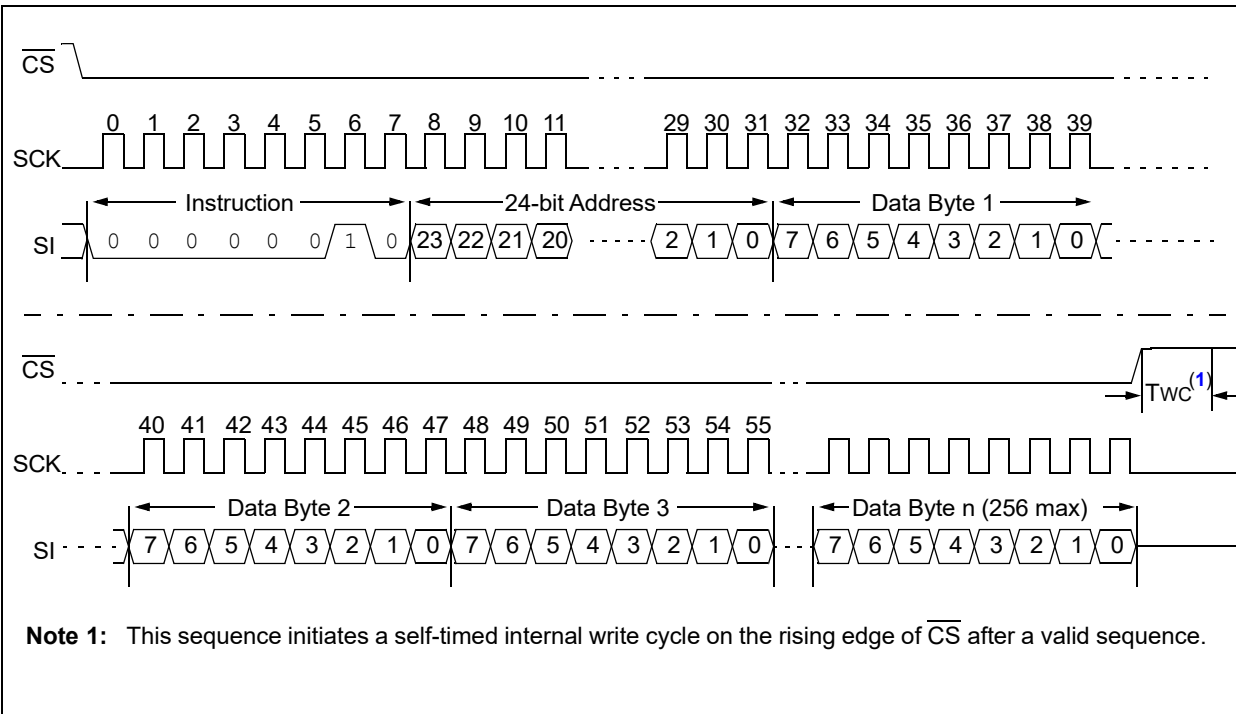
For the data to be actually written to the array, the \overline{CS} must be brought high after the Least Significant bit (D0) of the n^{th} data byte has been clocked in. If \overline{CS} is brought high at any other time, the write operation will not be completed. Refer to Figure 3-2 and Figure 3-3 for more detailed illustrations on the byte write sequence and the page write sequence, respectively. While the write is in progress, the STATUS register may be read to check the status of the WPEN, WIP, WEL, BP1 and BP0 bits (Figure 3-6). A read attempt of a memory array location will not be possible during a write cycle. When the write cycle is completed, the write enable latch is reset.

FIGURE 3-2: BYTE WRITE SEQUENCE



25LC1024

FIGURE 3-3: PAGE WRITE SEQUENCE



3.4 Write Enable (WREN) and Write Disable (WRDI)

The 25LC1024 contains a write enable latch. See [Table 3-4](#) for the Write-Protect Functionality Matrix. This latch must be set before any write operation will be completed internally. The WREN instruction will set the latch, and the WRDI will reset the latch.

The following is a list of conditions under which the write enable latch will be reset:

- Power-up
- WRDI instruction successfully executed
- WRSR instruction successfully executed
- WRITE instruction successfully executed
- PE instruction successfully executed
- SE instruction successfully executed
- CE instruction successfully executed

FIGURE 3-4: WRITE ENABLE SEQUENCE (WREN)

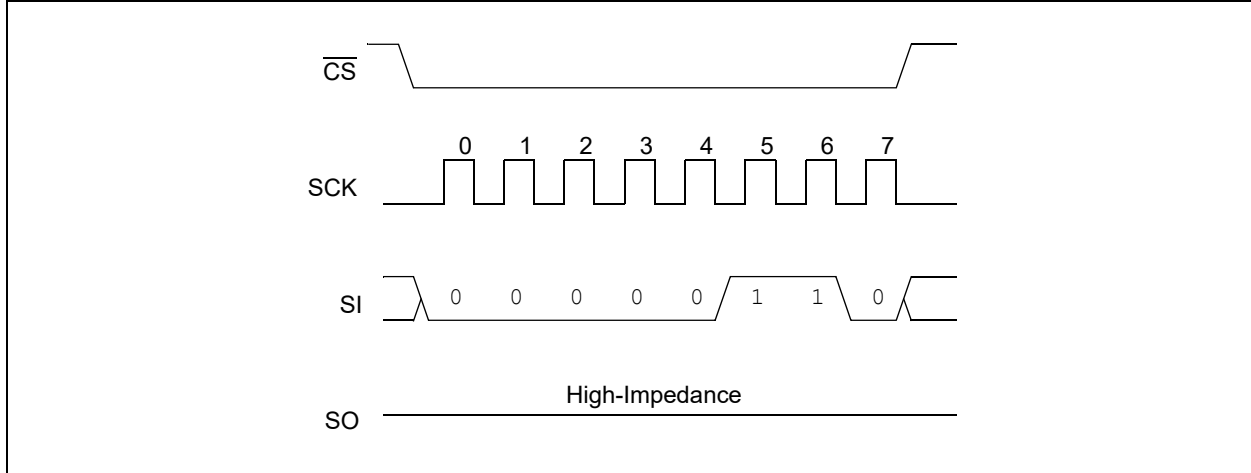
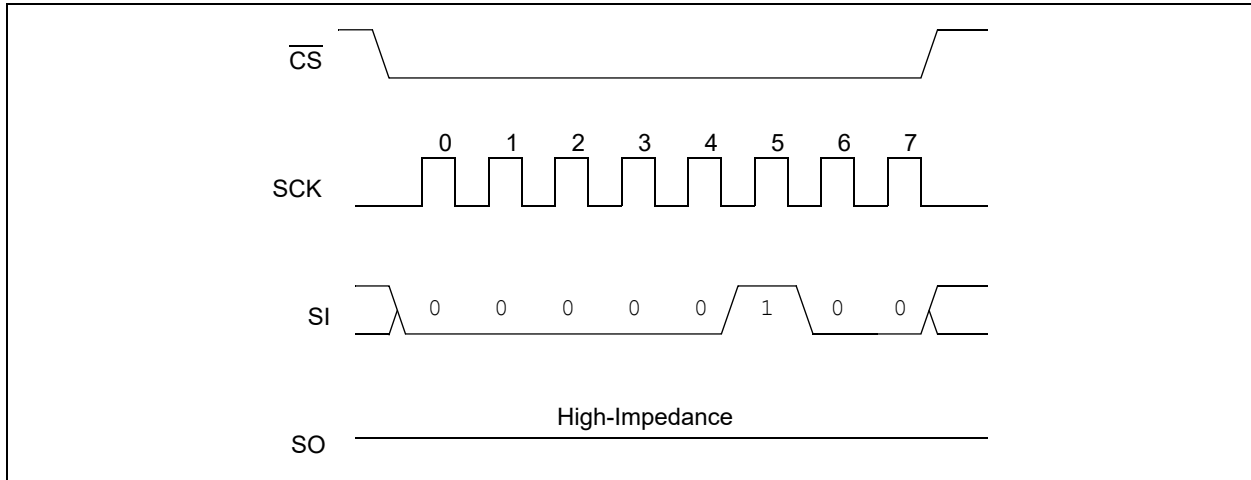


FIGURE 3-5: WRITE DISABLE SEQUENCE (WRDI)



25LC1024

3.5 Read STATUS Register Instruction (RDSR)

The Read STATUS Register instruction (RDSR) provides access to the STATUS register. The STATUS register may be read at any time, even during a write cycle. The STATUS register is formatted as follows:

TABLE 3-2: STATUS REGISTER

| | | | | | | | |
|------|---|---|---|-----|-----|-----|-----|
| 7 | 6 | 5 | 4 | 3 | 2 | 1 | 0 |
| W/R | - | - | - | W/R | W/R | R | R |
| WPEN | X | X | X | BP1 | BP0 | WEL | WIP |

Note 1: W/R = writable/readable. R = read-only.

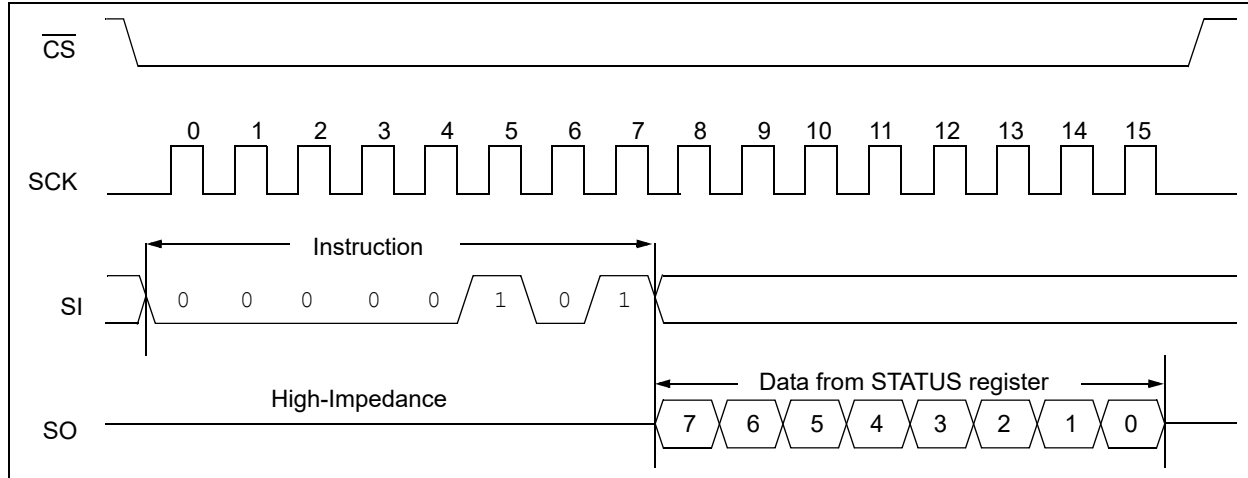
The **Write-In-Process (WIP)** bit indicates whether the 25LC1024 is busy with a write operation. When set to a '1', a write is in progress, when set to a '0', no write is in progress. This bit is read-only.

The **Write Enable Latch (WEL)** bit indicates the status of the write enable latch and is read-only. When set to a '1', the latch allows writes to the array, when set to a '0', the latch prohibits writes to the array. The state of this bit can always be updated via the `WREN` or `WRDI` commands regardless of the state of write protection on the STATUS register. These commands are shown in [Figure 3-4](#) and [Figure 3-5](#).

The **Block Protection (BP0 and BP1)** bits indicate which blocks are currently write-protected. These bits are set by the user issuing the `WRSR` instruction. These bits are nonvolatile and are shown in [Table 3-3](#).

See [Figure 3-6](#) for the RDSR timing sequence.

FIGURE 3-6: READ STATUS REGISTER TIMING SEQUENCE (RDSR)



3.6 Write STATUS Register Instruction (WRSR)

The Write STATUS Register instruction (WRSR) allows the user to write to the nonvolatile bits in the STATUS register as shown in Table 3-2. The user is able to select one of four levels of protection for the array by writing to the appropriate bits in the STATUS register. The array is divided up into four segments. The user has the ability to write-protect none, one, two or all four of the segments of the array. The partitioning is controlled as shown in Table 3-3.

The Write-Protect Enable (WPEN) bit is a nonvolatile bit that is available as an enable bit for the \overline{WP} pin. The Write-Protect (\overline{WP}) pin and the Write-Protect Enable (WPEN) bit in the STATUS register control the programmable hardware write-protect feature. Hardware write protection is enabled when \overline{WP} pin is low and the WPEN bit is high. Hardware write protection is disabled when either the \overline{WP} pin is high or the WPEN bit is low. When the chip is hardware write-protected, only writes to nonvolatile bits in the STATUS register are disabled. See Table 3-4 for a matrix of functionality on the WPEN bit.

See Figure 3-7 for the WRSR timing sequence.

TABLE 3-3: ARRAY PROTECTION

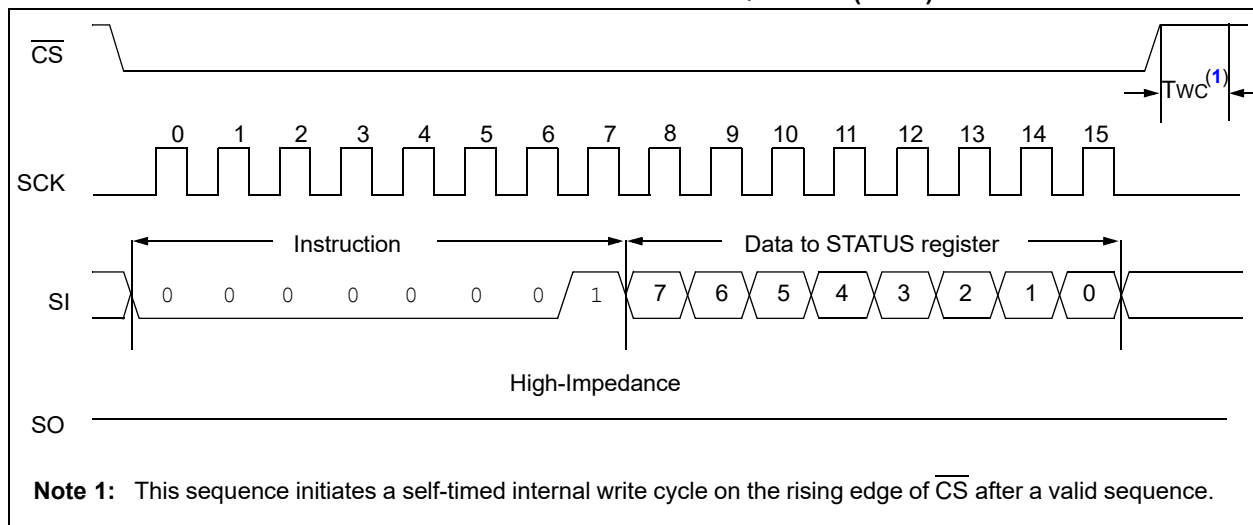
| BP1 | BP0 | Array Addresses Write-Protected | Array Addresses Unprotected |
|-----|-----|--|---|
| 0 | 0 | none | All (Sectors 0, 1, 2 & 3) (00000h-1FFFFh) |
| 0 | 1 | Upper 1/4 (Sector 3) (18000h-1FFFFh) | Lower 3/4 (Sectors 0, 1 & 2) (00000h-17FFFh) |
| 1 | 0 | Upper 1/2 (Sectors 2 & 3) (10000h-1FFFFh) | Lower 1/2 (Sectors 0 & 1) (00000h-0FFFFh) |
| 1 | 1 | All (Sectors 0, 1, 2 & 3) (00000h-1FFFFh) | none |

TABLE 3-4: WRITE-PROTECT FUNCTIONALITY MATRIX

| WEL (SR bit 1) | WPEN (SR bit 7) | \overline{WP} (pin 3) | Protected Blocks | Unprotected Blocks | STATUS Register |
|----------------|-----------------|-------------------------|------------------|--------------------|-----------------|
| 0 | x | x | Protected | Protected | Protected |
| 1 | 0 | x | Protected | Writable | Writable |
| 1 | 1 | 0 (low) | Protected | Writable | Protected |
| 1 | 1 | 1 (high) | Protected | Writable | Writable |

Note 1: x = don't care

FIGURE 3-7: WRITE STATUS REGISTER TIMING SEQUENCE (WRSR)



Note 1: This sequence initiates a self-timed internal write cycle on the rising edge of \overline{CS} after a valid sequence.

25LC1024

3.7 PAGE ERASE

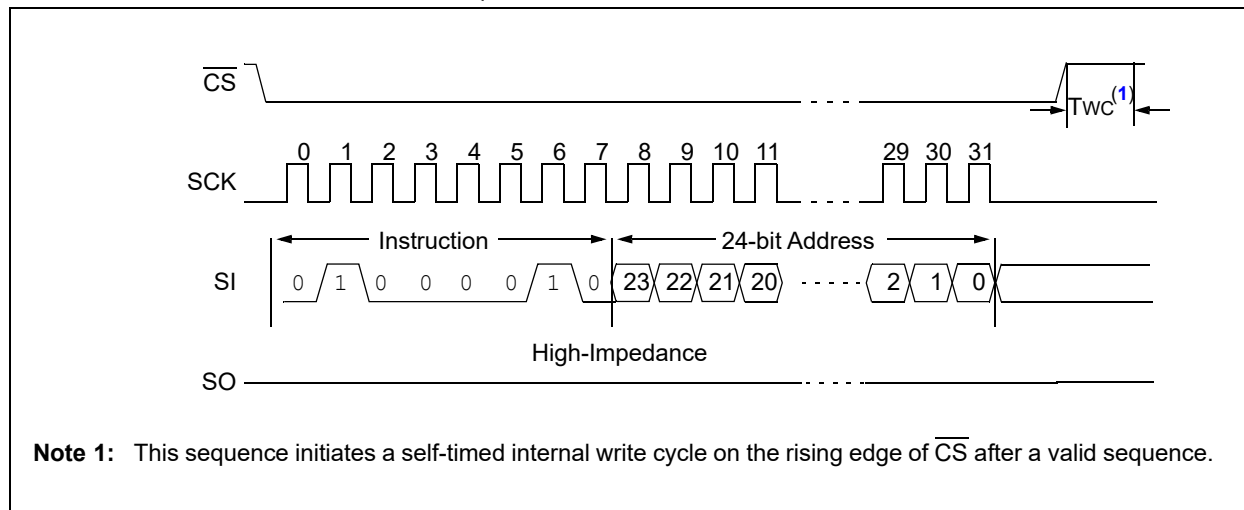
The Page Erase instruction will erase all bits (FFh) inside the given page. A Write Enable (\overline{WREN}) instruction must be given prior to attempting a Page Erase. This is done by setting \overline{CS} low and then clocking out the proper instruction into the 25LC1024. After all eight bits of the instruction are transmitted, the \overline{CS} must be brought high to set the write enable latch.

The Page Erase instruction is entered by driving \overline{CS} low, followed by the instruction code (Figure 3-8) and three address bytes. Any address inside the page to be erased is a valid address.

\overline{CS} must then be driven high after the last bit if the address or the Page Erase will not execute. Once the \overline{CS} is driven high, the self-timed Page Erase cycle is started. The WIP bit in the STATUS register can be read to determine when the Page Erase cycle is complete.

If a Page Erase instruction is given to an address that has been protected by the Block Protect bits (BP0, BP1), then the sequence will be aborted and no erase will occur.

FIGURE 3-8: PAGE ERASE SEQUENCE



Note 1: This sequence initiates a self-timed internal write cycle on the rising edge of \overline{CS} after a valid sequence.

3.8 SECTOR ERASE

The Sector Erase instruction will erase all bits (FFh) inside the given sector. A Write Enable (\overline{WREN}) instruction must be given prior to attempting a Sector Erase. This is done by setting \overline{CS} low and then clocking out the proper instruction into the 25LC1024. After all eight bits of the instruction are transmitted, the \overline{CS} must be brought high to set the write enable latch.

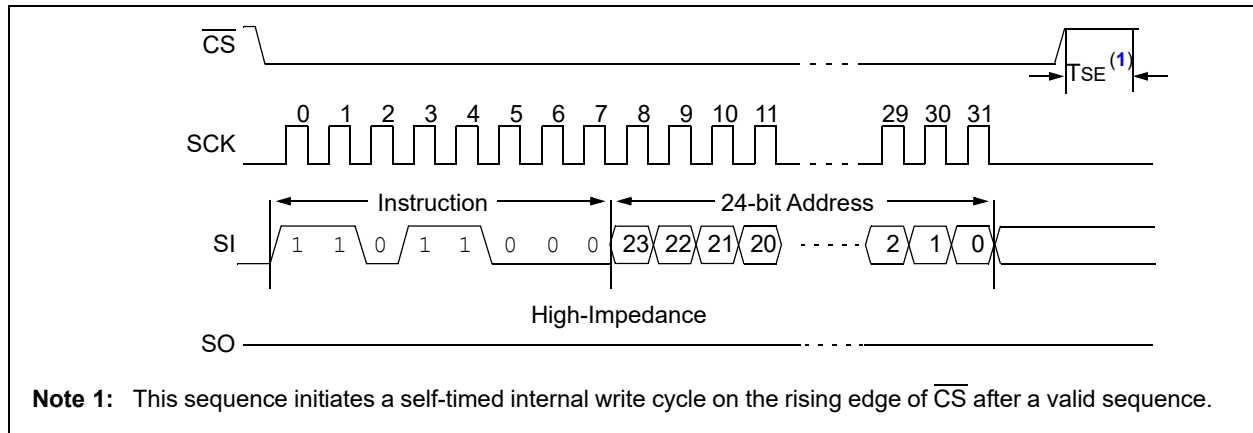
The Sector Erase instruction is entered by driving \overline{CS} low, followed by the instruction code (Figure 3-9) and three address bytes. Any address inside the sector to be erased is a valid address.

\overline{CS} must then be driven high after the last bit if the address or the Sector Erase will not execute. Once the \overline{CS} is driven high, the self-timed Sector Erase cycle is started. The WIP bit in the STATUS register can be read to determine when the Sector Erase cycle is complete.

If a sector erase instruction is given to an address that has been protected by the Block Protect bits (BP0, BP1), then the sequence will be aborted and no erase will occur.

See Table 3-3 for Sector Addressing.

FIGURE 3-9: SECTOR ERASE SEQUENCE



Note 1: This sequence initiates a self-timed internal write cycle on the rising edge of \overline{CS} after a valid sequence.

3.9 CHIP ERASE

The Chip Erase instruction will erase all bits (FFh) in the array. A Write Enable (\overline{WREN}) instruction must be given prior to executing a Chip Erase. This is done by setting \overline{CS} low and then clocking out the proper instruction into the 25LC1024. After all eight bits of the instruction are transmitted, the \overline{CS} must be brought high to set the write enable latch.

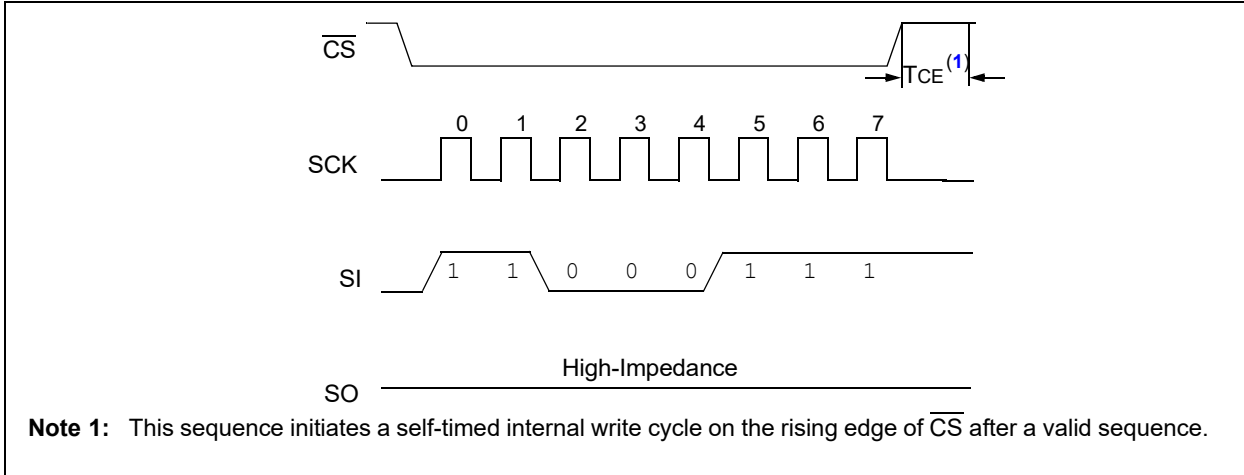
The Chip Erase instruction is entered by driving the \overline{CS} low, followed by the instruction code (Figure 3-10) onto the SI line.

The \overline{CS} pin must be driven high after the eighth bit of the instruction code has been given or the Chip Erase instruction will not be executed. Once the \overline{CS} pin is driven high, the self-timed Chip Erase instruction begins. While the device is executing the Chip Erase instruction, the WIP bit in the STATUS register can be read to determine when the Chip Erase instruction is complete.

The Chip Erase instruction is ignored if either of the Block Protect bits (BP0, BP1) are not 0, meaning 1/4, 1/2 or all of the array is protected.

25LC1024

FIGURE 3-10: CHIP ERASE SEQUENCE



3.10 DEEP POWER-DOWN MODE

Deep Power-Down mode of the 25LC1024 is its lowest power consumption state. The device will not respond to any of the Read or Write commands while in Deep Power-Down mode and therefore it can be used as an additional software write protection feature.

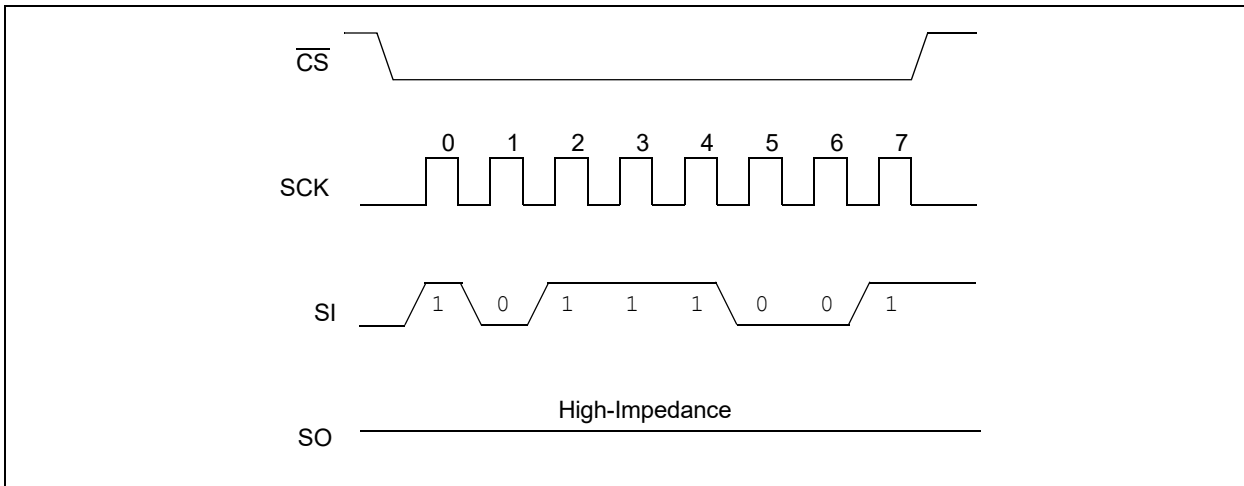
The Deep Power-Down mode is entered by driving \overline{CS} low, followed by the instruction code (Figure 3-11) onto the SI line, followed by driving \overline{CS} high.

If the \overline{CS} pin is not driven high after the eighth bit of the instruction code has been given, the device will not execute Deep power-down. Once the \overline{CS} line is driven high, there is a delay (TDP) before the current settles to its lowest consumption.

All instructions given during Deep Power-Down mode are ignored except the Read Electronic Signature Command (RDID). The RDID command will release the device from Deep power-down and output the electronic signature on the SO pin; then it returns the device to Standby mode after delay (TREL).

Deep Power-Down mode automatically releases at device power-down. Once power is restored to the device, it will power-up in the Standby mode.

FIGURE 3-11: DEEP POWER-DOWN SEQUENCE



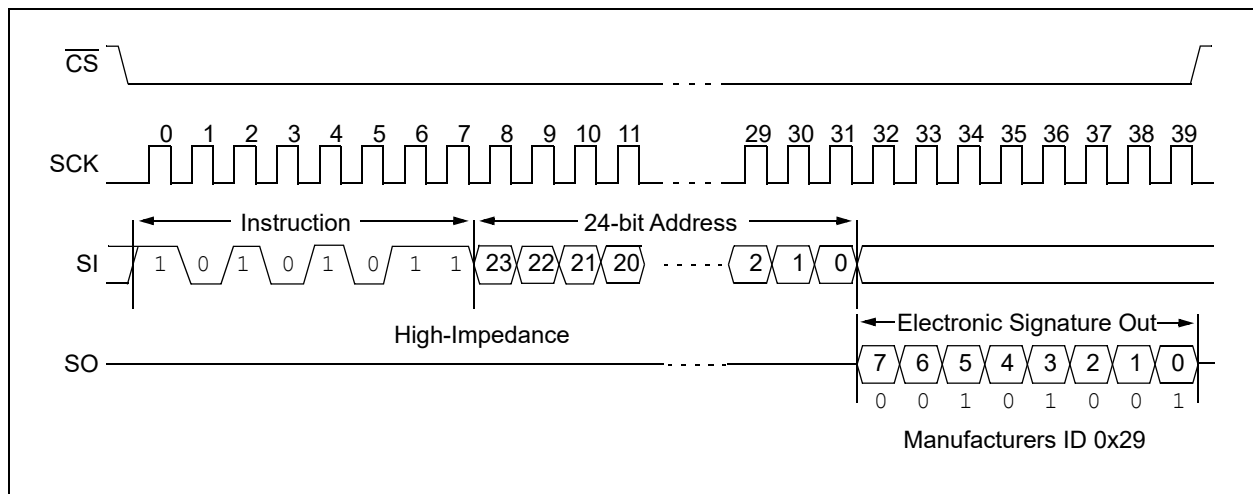
3.11 RELEASE FROM DEEP POWER-DOWN AND READ ELECTRONIC SIGNATURE

Once the device has entered Deep Power-Down mode, all instructions are ignored except the release from Deep Power-down and Read Electronic Signature command. This command can also be used when the device is not in Deep Power-down to read the electronic signature out on the SO pin unless another command is being executed such as Erase, Program or Write STATUS register.

Release from Deep Power-Down mode and Read Electronic Signature is entered by driving \overline{CS} low, followed by the $RDID$ instruction code (Figure 3-12) and then a dummy address of 24 bits (A23-A0). After the last bit of the dummy address is clocked in, the 8-bit electronic signature is clocked out on the SO pin.

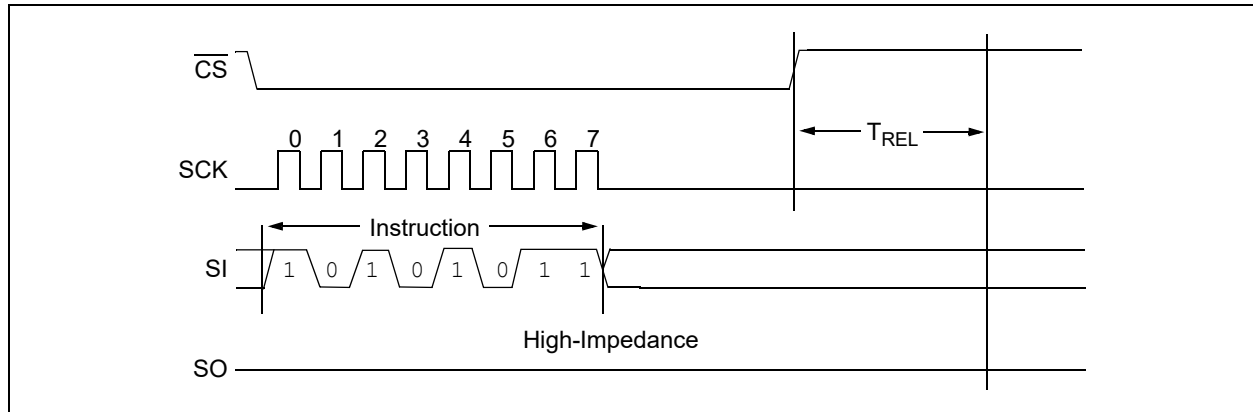
After the signature has been read out at least once, the sequence can be terminated by driving \overline{CS} high. The device will then return to Standby mode and will wait to be selected so it can be given new instructions. If additional clock cycles are sent after the electronic signature has been read once, it will continue to output the signature on the SO line until the sequence is terminated.

FIGURE 3-12: RELEASE FROM DEEP POWER-DOWN AND READ ELECTRONIC SIGNATURE



Driving \overline{CS} high after the 8-bit $RDID$ command, but before the Electronic Signature has been transmitted, will still ensure the device will be taken out of Deep Power-Down mode. However, there is a delay T_{REL} that occurs before the device returns to Standby mode (Iccs), as shown in Figure 3-13.

FIGURE 3-13: RELEASE FROM DEEP POWER-DOWN AND READ ELECTRONIC SIGNATURE



25LC1024

4.0 DATA PROTECTION

The following protection has been implemented to prevent inadvertent writes to the array:

- The write enable latch is reset on power-up
- A write enable instruction must be issued to set the write enable latch
- After a byte write, page write or STATUS register write, the write enable latch is reset
- \overline{CS} must be set high after the proper number of clock cycles to start an internal write cycle
- Access to the array during an internal write cycle is ignored and programming is continued

5.0 POWER-ON STATE

The 25LC1024 powers on in the following state:

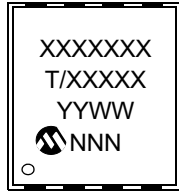
- The device is in low-power Standby mode ($\overline{CS} = 1$)
- The write enable latch is reset
- SO is in high-impedance state

A high-to-low level transition on \overline{CS} is required to enter active state

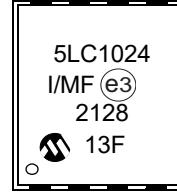
6.0 PACKAGING INFORMATION

6.1 Package Marking Information

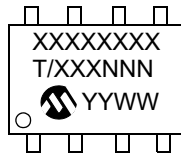
8-Lead DFN-S



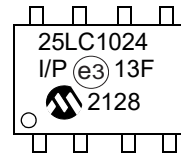
Example



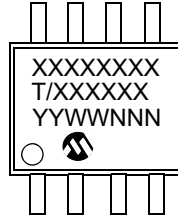
8-Lead PDIP



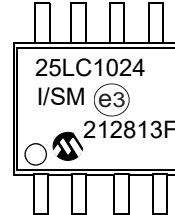
Example



8-Lead SOIJ



Example



1st Line Marking Codes

| Device | DFN-S | PDIP | SOIJ |
|----------|---------|----------|----------|
| 25LC1024 | 5LC1024 | 25LC1024 | 25LC1024 |

Legend: XX...X Part number or part number code
 T Temperature (I, E)
 Y Year code (last digit of calendar year)
 YY Year code (last 2 digits of calendar year)
 WW Week code (week of January 1 is week '01')
 NNN Alphanumeric traceability code (2 characters for small packages)
 (e3) RoHS compliant JEDEC designator for Matte Tin (Sn)

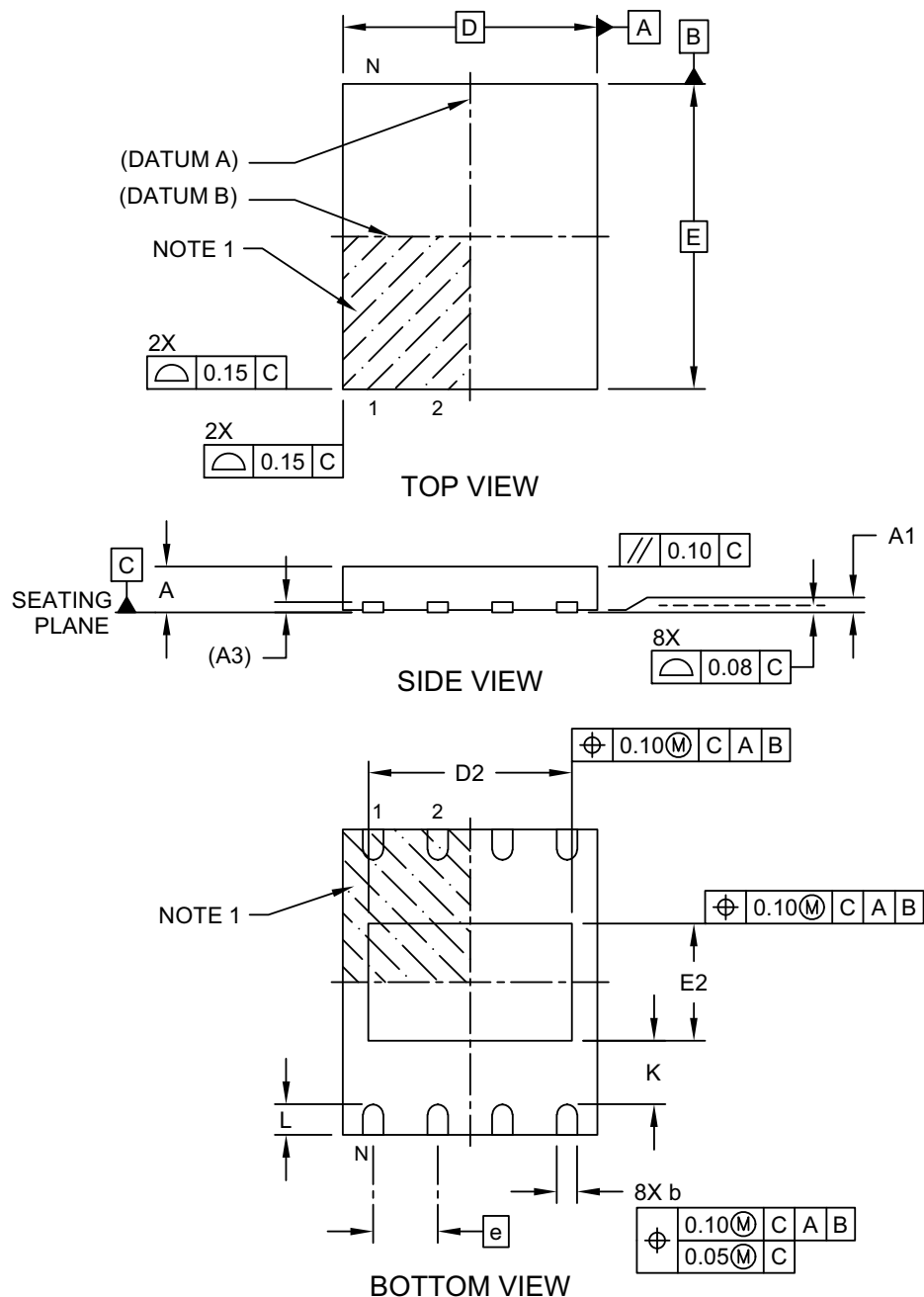
Note: For very small packages with no room for the RoHS compliant JEDEC designator (e3), the marking will only appear on the outer carton or reel label.

Note: In the event the full Microchip part number cannot be marked on one line, it will be carried over to the next line, thus limiting the number of available characters for customer-specific information.

25LC1024

8-Lead Plastic Dual Flat, No Lead Package (MF) - 6x5 mm Body [DFN-S] Saw Singulated

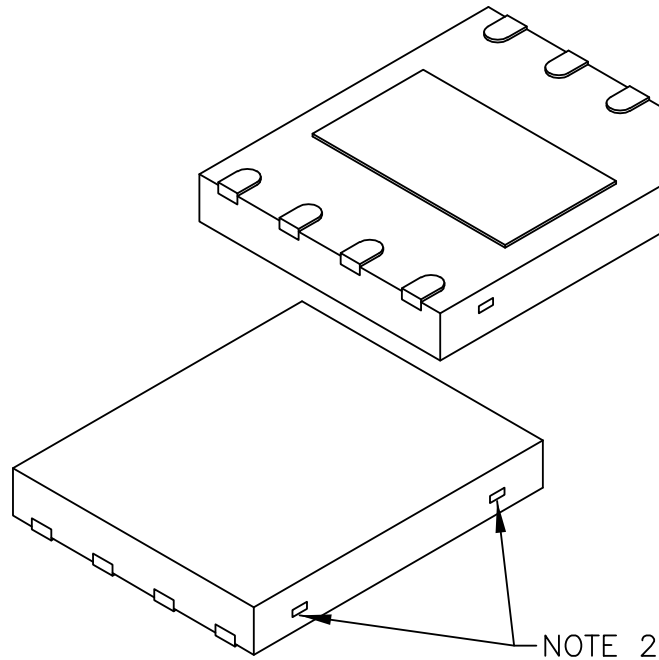
Note: For the most current package drawings, please see the Microchip Packaging Specification located at <http://www.microchip.com/packaging>



Microchip Technology Drawing C04-122 Rev C Sheet 1 of 2

8-Lead Plastic Dual Flat, No Lead Package (MF) - 6x5 mm Body [DFN-S] Saw Singulated

Note: For the most current package drawings, please see the Microchip Packaging Specification located at <http://www.microchip.com/packaging>



| Dimension Limits | Units | MILLIMETERS | | |
|-------------------------|-------|-------------|------|------|
| | | MIN | NOM | MAX |
| Number of Terminals | N | 8 | | |
| Pitch | e | 1.27 BSC | | |
| Overall Height | A | 0.80 | 0.85 | 1.00 |
| Standoff | A1 | 0.00 | 0.02 | 0.05 |
| Terminal Thickness | A3 | 0.20 REF | | |
| Overall Length | D | 5.00 BSC | | |
| Exposed Pad Length | D2 | 3.90 | 4.00 | 4.10 |
| Overall Width | E | 6.00 BSC | | |
| Exposed Pad Width | E2 | 2.20 | 2.30 | 2.40 |
| Terminal Width | b | 0.30 | 0.40 | 0.50 |
| Terminal Length | L | 0.50 | 0.60 | 0.75 |
| Terminal-to-Exposed-Pad | K | 0.20 | - | - |

Notes:

1. Pin 1 visual index feature may vary, but must be located within the hatched area.
2. Package may have one or more exposed tie bars at ends.
3. Package is saw singulated
4. Dimensioning and tolerancing per ASME Y14.5M

BSC: Basic Dimension. Theoretically exact value shown without tolerances.

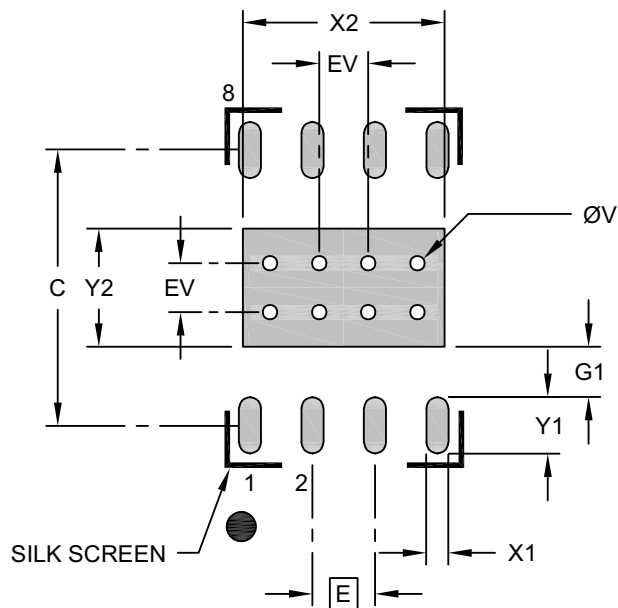
REF: Reference Dimension, usually without tolerance, for information purposes only.

Microchip Technology Drawing C04-122 Rev C Sheet 2 of 2

25LC1024

8-Lead Plastic Dual Flat, No Lead Package (MF) - 6x5 mm Body [DFN-S] Saw Singulated

Note: For the most current package drawings, please see the Microchip Packaging Specification located at <http://www.microchip.com/packaging>



RECOMMENDED LAND PATTERN

| Dimension Limits | Units | MILLIMETERS | | |
|---------------------------------|-------|-------------|------|------|
| | | MIN | NOM | MAX |
| Contact Pitch | E | 1.27 BSC | | |
| Optional Center Pad Width | X2 | | | 2.40 |
| Optional Center Pad Length | Y2 | | | 4.10 |
| Contact Pad Spacing | C | | 5.60 | |
| Contact Pad Width (X20) | X1 | | | 0.45 |
| Contact Pad Length (X20) | Y1 | | | 1.15 |
| Contact Pad to Center Pad (X20) | G1 | 0.20 | | |
| Thermal Via Diameter | V | | 0.30 | |
| Thermal Via Pitch | EV | | 1.00 | |

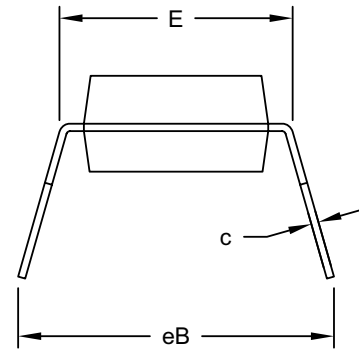
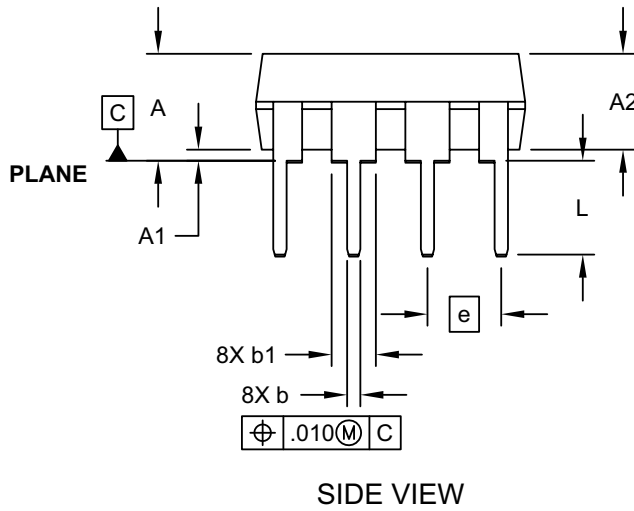
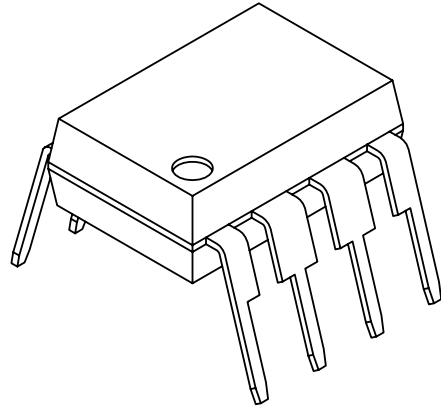
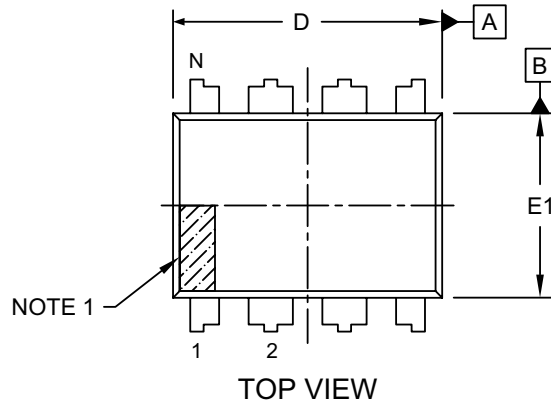
Notes:

- Dimensioning and tolerancing per ASME Y14.5M
BSC: Basic Dimension. Theoretically exact value shown without tolerances.
- For best soldering results, thermal vias, if used, should be filled or tented to avoid solder loss during reflow process

Microchip Technology Drawing C04-2122 Rev C

8-Lead Plastic Dual In-Line (P) - 300 mil Body [PDIP]

Note: For the most current package drawings, please see the Microchip Packaging Specification located at <http://www.microchip.com/packaging>



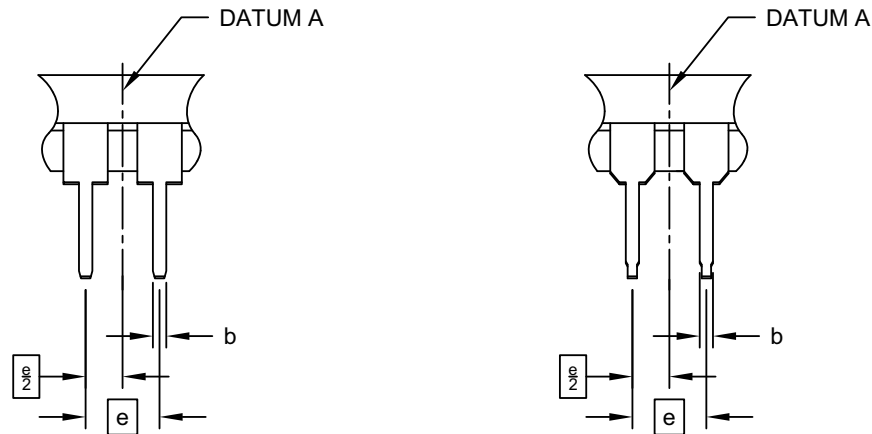
Microchip Technology Drawing No. C04-018-P Rev E Sheet 1 of 2

25LC1024

8-Lead Plastic Dual In-Line (P) - 300 mil Body [PDIP]

Note: For the most current package drawings, please see the Microchip Packaging Specification located at <http://www.microchip.com/packaging>

ALTERNATE LEAD DESIGN (NOTE 5)



| Units | | INCHES | | |
|----------------------------|----|----------|------|------|
| Dimension Limits | | MIN | NOM | MAX |
| Number of Pins | N | 8 | | |
| Pitch | e | .100 BSC | | |
| Top to Seating Plane | A | - | - | .210 |
| Molded Package Thickness | A2 | .115 | .130 | .195 |
| Base to Seating Plane | A1 | .015 | - | - |
| Shoulder to Shoulder Width | E | .290 | .310 | .325 |
| Molded Package Width | E1 | .240 | .250 | .280 |
| Overall Length | D | .348 | .365 | .400 |
| Tip to Seating Plane | L | .115 | .130 | .150 |
| Lead Thickness | c | .008 | .010 | .015 |
| Upper Lead Width | b1 | .040 | .060 | .070 |
| Lower Lead Width | b | .014 | .018 | .022 |
| Overall Row Spacing § | eB | - | - | .430 |

Notes:

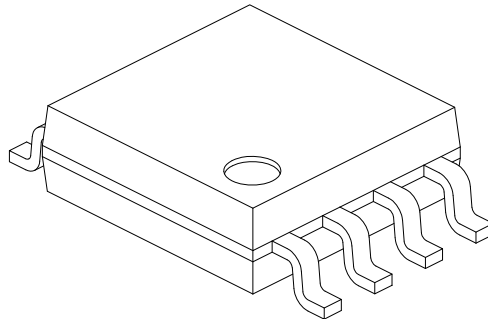
1. Pin 1 visual index feature may vary, but must be located within the hatched area.
2. § Significant Characteristic
3. Dimensions D and E1 do not include mold flash or protrusions. Mold flash or protrusions shall not exceed .010" per side.
4. Dimensioning and tolerancing per ASME Y14.5M
BSC: Basic Dimension. Theoretically exact value shown without tolerances.
5. Lead design above seating plane may vary, based on assembly vendor.

Microchip Technology Drawing No. C04-018-P Rev E Sheet 2 of 2

25LC1024

8-Lead Plastic Small Outline (SM) - Medium, 5.28 mm Body [SOIJ]

Note: For the most current package drawings, please see the Microchip Packaging Specification located at <http://www.microchip.com/packaging>



| Units | | MILLIMETERS | | |
|--------------------------|----|-------------|-----|------|
| Dimension Limits | | MIN | NOM | MAX |
| Number of Pins | N | 8 | | |
| Pitch | e | 1.27 BSC | | |
| Overall Height | A | 1.77 | - | 2.03 |
| Standoff § | A1 | 0.05 | | 0.25 |
| Molded Package Thickness | A2 | 1.75 | - | 1.98 |
| Overall Width | E | 7.94 BSC | | |
| Molded Package Width | E1 | 5.25 BSC | | |
| Overall Length | D | 5.26 BSC | | |
| Foot Length | L | 0.51 | - | 0.76 |
| Lead Thickness | c | 0.15 | - | 0.25 |
| Lead Width | b | 0.36 | - | 0.51 |
| Mold Draft Angle | Ø1 | - | - | 15° |
| Lead Angle | Ø2 | 0° | - | 8° |
| Foot Angle | Ø3 | 0° | - | 8° |

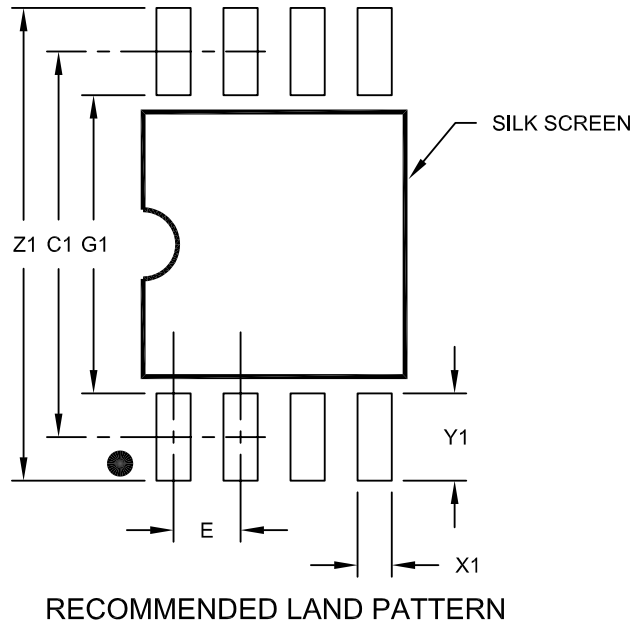
Notes:

1. SOIJ, JEITA/EIAJ Standard, Formerly called SOIC
2. § Significant Characteristic
3. Dimensions D and E1 do not include mold flash or protrusions. Mold flash or protrusions shall not exceed 0.25mm per side.

Microchip Technology Drawing No. C04-056C Sheet 2 of 2

8-Lead Plastic Small Outline (SM) - Medium, 5.28 mm Body [SOIJ]

Note: For the most current package drawings, please see the Microchip Packaging Specification located at <http://www.microchip.com/packaging>



| Dimension Limits | Units | MILLIMETERS | | |
|-------------------------|-------|-------------|------|------|
| | | MIN | NOM | MAX |
| Contact Pitch | E | 1.27 BSC | | |
| Overall Width | Z1 | | | 9.00 |
| Contact Pad Spacing | C1 | | 7.30 | |
| Contact Pad Width (X8) | X1 | | | 0.65 |
| Contact Pad Length (X8) | Y1 | | | 1.70 |
| Distance Between Pads | G1 | 5.60 | | |
| Distance Between Pads | G | 0.62 | | |

Notes:

1. Dimensioning and tolerancing per ASME Y14.5M

BSC: Basic Dimension. Theoretically exact value shown without tolerances.

Microchip Technology Drawing No. C04-2056C

APPENDIX A: REVISION HISTORY

Revision E (08/21)

Replaced “Automotive” with “Extended” for E-temp products; Added Product Identification System section for Automotive; Updated DFN-S and PDIP package drawings; Updated Pin Description section; Replaced terminology “Master” and “Slave” with “Host” and “Client”, respectively; Reformatted some sections for better readability.

Revision D (05/10)

Revised Table 1-2, Param. No. 25 Conditions; Revised Section 2.2, added note; Updated SOIJ package drawings.

Revision C (10/08)

Updated Package Drawings.

Revision B (5/2008)

Modified parameter D006 in Table 1-1; Revised Package Marking Information; Replaced Package Drawings.

Revision A (10/2007)

Initial release of this document.

THE MICROCHIP WEBSITE

Microchip provides online support via our website at www.microchip.com. This website is used as a means to make files and information easily available to customers. Accessible by using your favorite Internet browser, the website contains the following information:

- **Product Support** – Data sheets and errata, application notes and sample programs, design resources, user's guides and hardware support documents, latest software releases and archived software
- **General Technical Support** – Frequently Asked Questions (FAQ), technical support requests, online discussion groups, Microchip consultant program member listing
- **Business of Microchip** – Product selector and ordering guides, latest Microchip press releases, listing of seminars and events, listings of Microchip sales offices, distributors and factory representatives

CUSTOMER CHANGE NOTIFICATION SERVICE

Microchip's customer notification service helps keep customers current on Microchip products. Subscribers will receive e-mail notification whenever there are changes, updates, revisions or errata related to a specified product family or development tool of interest.

To register, access the Microchip website at www.microchip.com. Under "Support", click on "Customer Change Notification" and follow the registration instructions.

CUSTOMER SUPPORT

Users of Microchip products can receive assistance through several channels:

- Distributor or Representative
- Local Sales Office
- Field Application Engineer (FAE)
- Technical Support

Customers should contact their distributor, representative or Field Application Engineer (FAE) for support. Local sales offices are also available to help customers. A listing of sales offices and locations is included in the back of this document.

Technical support is available through the website at: <http://microchip.com/support>

25LC1024

PRODUCT IDENTIFICATION SYSTEM (NON-AUTOMOTIVE)

To order or obtain information, e.g., on pricing or delivery, refer to the factory or the listed sales office.

| PART NO. | X⁽¹⁾ | -X | XX |
|--|------------------------|-------------------|--|
| Device | Tape and Reel Option | Temperature Range | Package |
| Device: 25LC1024 Tape and Reel Option: Blank = Standard packaging (tube) T = Tape and Reel ⁽¹⁾ Temperature Range: I = -40°C to+85°C (Industrial) E = -40°C to+125°C (Extended) Package: MF = Plastic Dual Flat, No Lead Package – 5x6x0.85 mm Body, 8-Lead (DFN-S) P = Plastic Dual In-Line – 300 mil Body, 8-Lead (PDIP) SM = Plastic Small Outline – Wide, 5.28 mm Body, 8-Lead (SOIJ) | | | |
| | | | Examples: a) 25LC1024-I/P = 1-Mbit, 2.5V Serial EEPROM, Industrial temp., PDIP package. b) 25LC1024T-E/MF = 1-Mbit, 2.5V Serial EEPROM, Extended temp., Tape and Reel, DFN-S package. c) 25LC1024T-I/SM = 1-Mbit, 2.5V Serial EEPROM, Industrial temp., Tape and Reel, SOIJ package. Note 1: Tape and Reel identifier only appears in the catalog part number description. This identifier is used for ordering purposes and is not printed on the device package. Check with your Microchip Sales Office for package availability with the Tape and Reel option |

PRODUCT IDENTIFICATION SYSTEM (AUTOMOTIVE)

To order or obtain information, e.g., on pricing or delivery, refer to the factory or the listed sales office.

| PART NO. | X⁽¹⁾ | -X | /XX | XXX^(2,3) | |
|---------------------------------|-----------------------------|---|----------------|----------------------------|--|
| Device | Tape and Reel Option | Temperature Range | Package | Variant | |
| Device: | 25LC1024 | 1-Mbit, 2.5V, SPI Serial EEPROM | | | |
| Tape and Reel Option: | Blank = T = | Standard packaging (tube) Tape and Reel ⁽¹⁾ | | | |
| Temperature Range: | I = E = | -40°C to+85°C (AEC-Q100 Grade 3) -40°C to+125°C (AEC-Q100 Grade 1) | | | |
| Package: | SM = | Plastic Small Outline – Wide, 5.28 mm Body, 8-Lead (SOIJ) | | | |
| Variant:^(2,3) | 16KVAO = 16KVXX= | Standard Automotive, 16K Process Customer-Specific Automotive, 16K Process | | | |

Examples:

a) 25LC1024-E/SM16KVAO = 1-Mbit, 2.5V Serial EEPROM, Automotive Grade 1, SOIJ package.

b) 25LC1024T-E/SM16KVAO = 1-Mbit, 2.5V Serial EEPROM, Automotive Grade 1, Tape and Reel, SOIJ package.

Note 1: Tape and Reel identifier only appears in the catalog part number description. This identifier is used for ordering purposes and is not printed on the device package. Check with your Microchip Sales Office for package availability with the Tape and Reel option.

2: The VAO/VXX automotive variants have been designed, manufactured, tested and qualified in accordance with AEC-Q100 requirements for automotive applications.

3: For customers requesting a PPAP, a customer-specific part number will be generated and provided. A PPAP is not provided for VAO part numbers.

Note the following details of the code protection feature on Microchip devices:

- Microchip products meet the specifications contained in their particular Microchip Data Sheet.
- Microchip believes that its family of products is secure when used in the intended manner and under normal conditions.
- There are dishonest and possibly illegal methods being used in attempts to breach the code protection features of the Microchip devices. We believe that these methods require using the Microchip products in a manner outside the operating specifications contained in Microchip's Data Sheets. Attempts to breach these code protection features, most likely, cannot be accomplished without violating Microchip's intellectual property rights.
- Microchip is willing to work with any customer who is concerned about the integrity of its code.
- Neither Microchip nor any other semiconductor manufacturer can guarantee the security of its code. Code protection does not mean that we are guaranteeing the product is "unbreakable." Code protection is constantly evolving. We at Microchip are committed to continuously improving the code protection features of our products. Attempts to break Microchip's code protection feature may be a violation of the Digital Millennium Copyright Act. If such acts allow unauthorized access to your software or other copyrighted work, you may have a right to sue for relief under that Act.

Information contained in this publication is provided for the sole purpose of designing with and using Microchip products. Information regarding device applications and the like is provided only for your convenience and may be superseded by updates. It is your responsibility to ensure that your application meets with your specifications.

THIS INFORMATION IS PROVIDED BY MICROCHIP "AS IS". MICROCHIP MAKES NO REPRESENTATIONS OR WARRANTIES OF ANY KIND WHETHER EXPRESS OR IMPLIED, WRITTEN OR ORAL, STATUTORY OR OTHERWISE, RELATED TO THE INFORMATION INCLUDING BUT NOT LIMITED TO ANY IMPLIED WARRANTIES OF NON-INFRINGEMENT, MERCHANTABILITY, AND FITNESS FOR A PARTICULAR PURPOSE OR WARRANTIES RELATED TO ITS CONDITION, QUALITY, OR PERFORMANCE.

IN NO EVENT WILL MICROCHIP BE LIABLE FOR ANY INDIRECT, SPECIAL, PUNITIVE, INCIDENTAL OR CONSEQUENTIAL LOSS, DAMAGE, COST OR EXPENSE OF ANY KIND WHATSOEVER RELATED TO THE INFORMATION OR ITS USE, HOWEVER CAUSED, EVEN IF MICROCHIP HAS BEEN ADVISED OF THE POSSIBILITY OR THE DAMAGES ARE FORESEEABLE. TO THE FULLEST EXTENT ALLOWED BY LAW, MICROCHIP'S TOTAL LIABILITY ON ALL CLAIMS IN ANY WAY RELATED TO THE INFORMATION OR ITS USE WILL NOT EXCEED THE AMOUNT OF FEES, IF ANY, THAT YOU HAVE PAID DIRECTLY TO MICROCHIP FOR THE INFORMATION. Use of Microchip devices in life support and/or safety applications is entirely at the buyer's risk, and the buyer agrees to defend, indemnify and hold harmless Microchip from any and all damages, claims, suits, or expenses resulting from such use. No licenses are conveyed, implicitly or otherwise, under any Microchip intellectual property rights unless otherwise stated.

For information regarding Microchip's Quality Management Systems, please visit www.microchip.com/quality.

Trademarks

The Microchip name and logo, the Microchip logo, Adaptec, AnyRate, AVR, AVR logo, AVR Freaks, BesTime, BitCloud, chipKIT, chipKIT logo, CryptoMemory, CryptoRF, dsPIC, FlashFlex, flexPWR, HELDO, IGL00, JukeBlox, KeeLoq, Kleer, LANCheck, LinkMD, maXStylus, maXTouch, MediaLB, megaAVR, Microsemi, Microsemi logo, MOST, MOST logo, MPLAB, OptoLyzer, PackeTime, PIC, picoPower, PICSTART, PIC32 logo, PolarFire, Prochip Designer, QTouch, SAM-BA, SenGenuity, SpyNIC, SST, SST Logo, SuperFlash, Symmetricom, SyncServer, Tachyon, TimeSource, tinyAVR, UNI/O, Vectron, and XMEGA are registered trademarks of Microchip Technology Incorporated in the U.S.A. and other countries.

AgileSwitch, APT, ClockWorks, The Embedded Control Solutions Company, EtherSynch, FlashTec, Hyper Speed Control, HyperLight Load, IntelliMOS, Libero, motorBench, mTouch, Powermite 3, Precision Edge, ProASIC, ProASIC Plus, ProASIC Plus logo, Quiet-Wire, SmartFusion, SyncWorld, Temux, TimeCesium, TimeHub, TimePictra, TimeProvider, WinPath, and ZL are registered trademarks of Microchip Technology Incorporated in the U.S.A.

Adjacent Key Suppression, AKS, Analog-for-the-Digital Age, Any Capacitor, AnyIn, AnyOut, Augmented Switching, BlueSky, BodyCom, CodeGuard, CryptoAuthentication, CryptoAutomotive, CryptoCompanion, CryptoController, dsPICDEM, dsPICDEM.net, Dynamic Average Matching, DAM, ECAN, Espresso T1S, EtherGREEN, IdealBridge, In-Circuit Serial Programming, ICSP, INICnet, Intelligent Paralleling, Inter-Chip Connectivity, JitterBlocker, maxCrypto, maxView, memBrain, Mindi, MiWi, MPASM, MPF, MPLAB Certified logo, MPLIB, MPLINK, MultiTRAK, NetDetach, Omniscient Code Generation, PICDEM, PICDEM.net, PICkit, PICtail, PowerSmart, PureSilicon, QMatrix, REAL ICE, Ripple Blocker, RTAX, RTG4, SAM-ICE, Serial Quad I/O, simpleMAP, SimpliPHY, SmartBuffer, SMART-I.S., storClad, SQI, SuperSwitcher, SuperSwitcher II, Switchtec, SynchroPHY, Total Endurance, TSHARC, USBCheck, VariSense, VectorBlox, VeriPHY, ViewSpan, WiperLock, XpressConnect, and ZENA are trademarks of Microchip Technology Incorporated in the U.S.A. and other countries.

SQTP is a service mark of Microchip Technology Incorporated in the U.S.A.

The Adaptec logo, Frequency on Demand, Silicon Storage Technology, and Symmcom are registered trademarks of Microchip Technology Inc. in other countries.

GestIC is a registered trademark of Microchip Technology Germany II GmbH & Co. KG, a subsidiary of Microchip Technology Inc., in other countries.

All other trademarks mentioned herein are property of their respective companies.

© 2007-2021, Microchip Technology Incorporated, All Rights Reserved.

ISBN: 978-1-5224-8699-2



MICROCHIP

Worldwide Sales and Service

AMERICAS

Corporate Office
2355 West Chandler Blvd.
Chandler, AZ 85224-6199
Tel: 480-792-7200
Fax: 480-792-7277
Technical Support:
<http://www.microchip.com/support>
Web Address:
www.microchip.com

Atlanta

Duluth, GA
Tel: 678-957-9614
Fax: 678-957-1455

Austin, TX

Tel: 512-257-3370

Boston

Westborough, MA
Tel: 774-760-0087
Fax: 774-760-0088

Chicago

Itasca, IL
Tel: 630-285-0071
Fax: 630-285-0075

Dallas

Addison, TX
Tel: 972-818-7423
Fax: 972-818-2924

Detroit

Novi, MI
Tel: 248-848-4000

Houston, TX

Tel: 281-894-5983

Indianapolis

Noblesville, IN
Tel: 317-773-8323
Fax: 317-773-5453
Tel: 317-536-2380

Los Angeles

Mission Viejo, CA
Tel: 949-462-9523
Fax: 949-462-9608
Tel: 951-273-7800

Raleigh, NC

Tel: 919-844-7510

New York, NY

Tel: 631-435-6000

San Jose, CA

Tel: 408-735-9110
Tel: 408-436-4270

Canada - Toronto

Tel: 905-695-1980
Fax: 905-695-2078

ASIA/PACIFIC

Australia - Sydney
Tel: 61-2-9868-6733

China - Beijing
Tel: 86-10-8569-7000

China - Chengdu
Tel: 86-28-8665-5511

China - Chongqing
Tel: 86-23-8980-9588

China - Dongguan
Tel: 86-769-8702-9880

China - Guangzhou
Tel: 86-20-8755-8029

China - Hangzhou
Tel: 86-571-8792-8115

China - Hong Kong SAR
Tel: 852-2943-5100

China - Nanjing
Tel: 86-25-8473-2460

China - Qingdao
Tel: 86-532-8502-7355

China - Shanghai
Tel: 86-21-3326-8000

China - Shenyang
Tel: 86-24-2334-2829

China - Shenzhen
Tel: 86-755-8864-2200

China - Suzhou
Tel: 86-186-6233-1526

China - Wuhan
Tel: 86-27-5980-5300

China - Xian
Tel: 86-29-8833-7252

China - Xiamen
Tel: 86-592-2388138

China - Zhuhai
Tel: 86-756-3210040

ASIA/PACIFIC

India - Bangalore
Tel: 91-80-3090-4444

India - New Delhi
Tel: 91-11-4160-8631

India - Pune
Tel: 91-20-4121-0141

Japan - Osaka
Tel: 81-6-6152-7160

Japan - Tokyo
Tel: 81-3-6880-3770

Korea - Daegu
Tel: 82-53-744-4301

Korea - Seoul
Tel: 82-2-554-7200

Malaysia - Kuala Lumpur
Tel: 60-3-7651-7906

Malaysia - Penang
Tel: 60-4-227-8870

Philippines - Manila
Tel: 63-2-634-9065

Singapore
Tel: 65-6334-8870

Taiwan - Hsin Chu
Tel: 886-3-577-8366

Taiwan - Kaohsiung
Tel: 886-7-213-7830

Taiwan - Taipei
Tel: 886-2-2508-8600

Thailand - Bangkok
Tel: 66-2-694-1351

Vietnam - Ho Chi Minh
Tel: 84-28-5448-2100

EUROPE

Austria - Wels
Tel: 43-7242-2244-39
Fax: 43-7242-2244-393

Denmark - Copenhagen
Tel: 45-4485-5910
Fax: 45-4485-2829

Finland - Espoo
Tel: 358-9-4520-820

France - Paris
Tel: 33-1-69-53-63-20
Fax: 33-1-69-30-90-79

Germany - Garching
Tel: 49-8931-9700

Germany - Haan
Tel: 49-2129-3766400

Germany - Heilbronn
Tel: 49-7131-72400

Germany - Karlsruhe
Tel: 49-721-625370

Germany - Munich
Tel: 49-89-627-144-0
Fax: 49-89-627-144-44

Germany - Rosenheim
Tel: 49-8031-354-560

Israel - Ra'anana
Tel: 972-9-744-7705

Italy - Milan
Tel: 39-0331-742611
Fax: 39-0331-466781

Italy - Padova
Tel: 39-049-7625286

Netherlands - Drunen
Tel: 31-416-690399
Fax: 31-416-690340

Norway - Trondheim
Tel: 47-7288-4388

Poland - Warsaw
Tel: 48-22-3325737

Romania - Bucharest
Tel: 40-21-407-87-50

Spain - Madrid
Tel: 34-91-708-08-90
Fax: 34-91-708-08-91

Sweden - Gothenberg
Tel: 46-31-704-60-40

Sweden - Stockholm
Tel: 46-8-5090-4654

UK - Wokingham
Tel: 44-118-921-5800
Fax: 44-118-921-5820